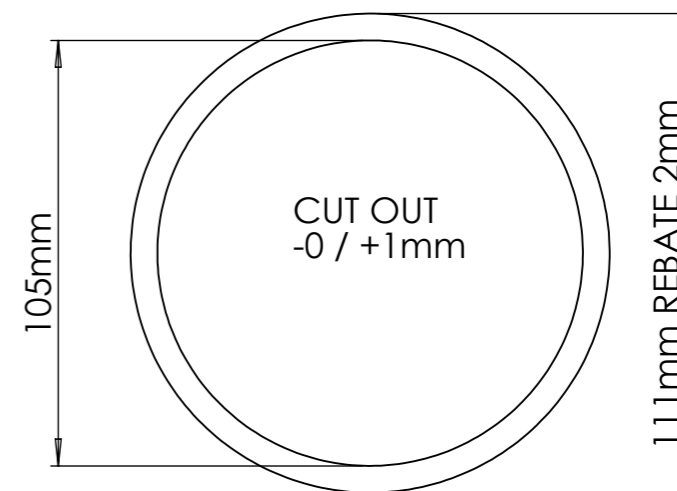



CUT OUT  
USE 105MM HOLES SAW  
AND 111MM HOLE SAW (REBATE 2MM)



REV	DESCRIPTION	DATE	DRWN	APPV
2	REDESIGNED PART	27/05/2026	AP	RG
1	RELEASED FOR PRODUCTION	9/10/2020	AP	JC
REVISIONS				

<b>CUSTOMER SIGNATURE:</b>
<b>MATERIAL:</b> BRASS OR STAINLESS STEEL
<b>FINISH:</b> MACHINED OR BRUSHED
<b>COLOUR:</b>
THIS DRAWING & ASSOCIATED CAD FILES ARE ISSUED IN THE STRICTEST CONFIDENCE AND ARE ONLY TO BE USED IN THE COMMERCIAL INTERESTS OF CMS ELECTRACOM PTY LTD

<b>TOLERANCES UNLESS OTHERWISE STATED:</b> X ±0.5 X.X ±0.2 X.XX ±0.1 X.XXX ±0.05 ANG ±0.5°
DRAWN IN mm TO AS1100 DO NOT SCALE

 <b>CMS Electracom</b>			COPYRIGHT © 2020	
<b>TITLE:</b> MADERA BUTT EDGE WOOD INSERT MINI SCREED BOX				
<b>DRAWING:</b> LU5782			<b>REV:</b> 2	
SCALE 1:2			SHEET 1 OF 2	
			A3	