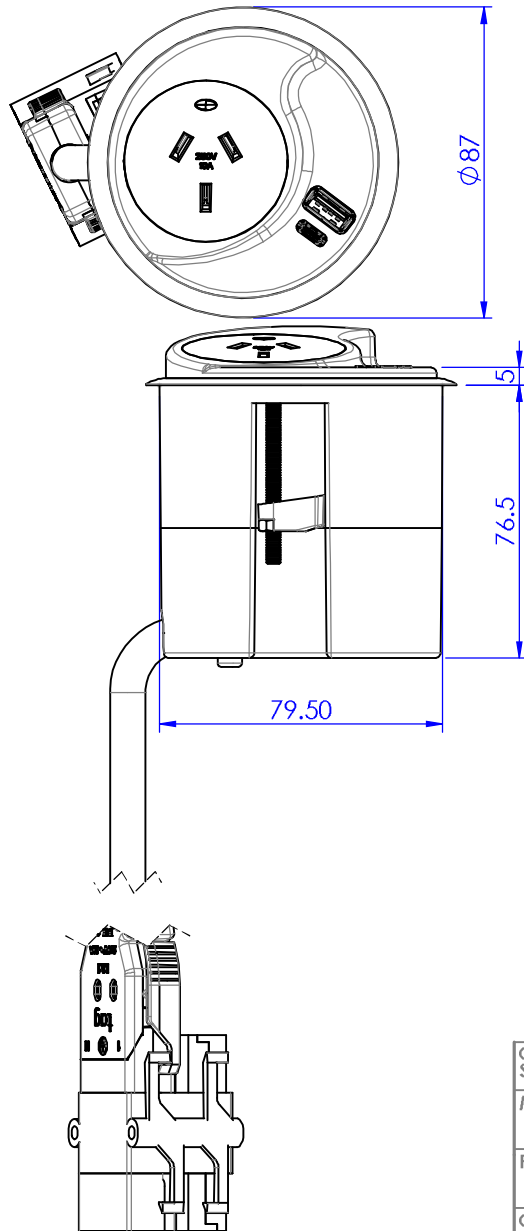
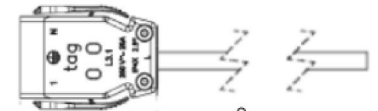




JOB NUMBER  
PART NUMBER



NOTE:



CABLE TYPE: 2.5MM<sup>2</sup>  
PART NUMBER:  
DESCRIPTION: TAG CONNECTOR  
LENGTH: 1000MM

POSITION OF LABEL

CUT-OUT 80MM

NOTE: ALL COMPONENTS ARE BLACK

CUSTOMER SIGNATURE:	TOLERANCES UNLESS OTHERWISE STATED:
MATERIAL: PC-FR	X ±0.5
FINISH: TEXTURED/POLISHED	X.X ±0.2
COLOUR: BLACK	X.XX ±0.1
	X.XXX ±0.05
	ANG ±0.5°
THIS DRAWING & ASSOCIATED CAD FILES ARE ISSUED IN THE STRICTEST CONFIDENCE AND ARE ONLY TO BE USED IN THE COMMERCIAL INTERESTS OF CMS ELECTRACOM PTY LTD	
DRAWN IN mm TO AS1100 DO NOT SCALE	



TITLE: KONEXUS USBC VERSION	
DRAWING: LU25121	REV: 1
SCALE 1:5	SHEET 1 OF 2

1	RELEASED FOR PRODUCTION	19/04/2018	KV	AP
REV	DESCRIPTION	DATE	DRWN	APPV
REVISIONS				

A3