
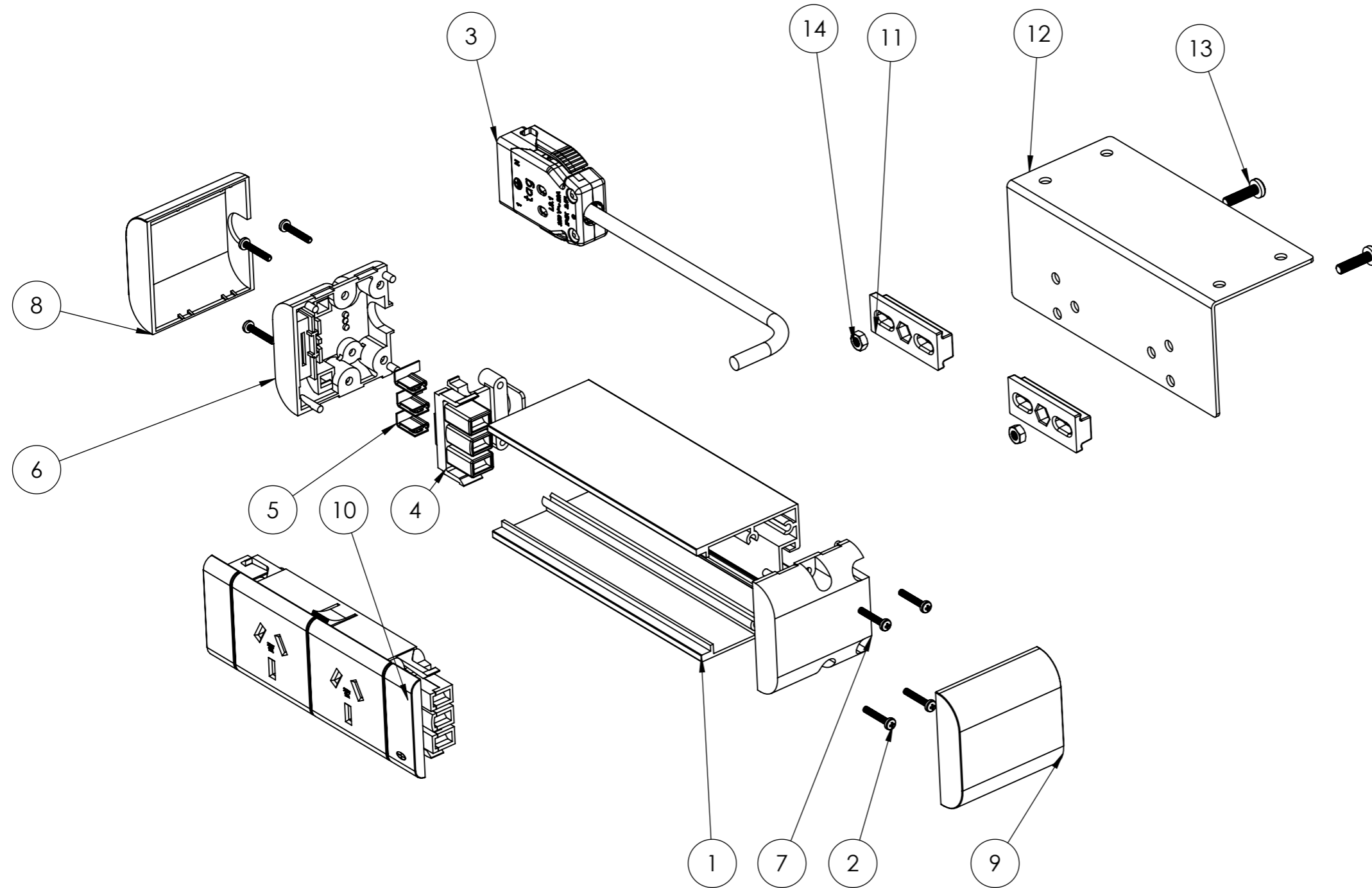


REV	DESCRIPTION	DATE	DRWN	APPV
4	UPDATED BRACKET	18/08/2017	KLP	RG
3	UPDATED BRACKET	2/08/2017	KLP	
2	UPDATED BRACKET	5/07/2017	KLP	
1	ISSUED FOR SALES	30/06/2017	KLP	
REVISIONS				

CUSTOMER SIGNATURE:	
MATERIAL:	POLYCARBONATE / ALUMINIUM
FINISH:	FINE EDM / POWDER COATED
COLOUR:	BLACK / BLACK
THIS DRAWING & ASSOCIATED CAD FILES ARE ISSUED IN THE STRICTEST CONFIDENCE AND ARE ONLY TO BE USED IN THE COMMERCIAL INTERESTS OF CMS ELECTRACOM PTY LTD	


TOLERANCES UNLESS OTHERWISE STATED:
X ±0.5
X.X ±0.2
X.XX ±0.1
X.XXX ±0.05
ANG ±0.5°
DRAWN IN mm TO AS1100 DO NOT SCALE

 CMS Electracom			<small>COPYRIGHT © 2015</small>		
TITLE: ZEUS CABLE TRAY - UNDERDESK MOUNTED FROM BACK OF RAIL					
DRAWING: LU20988				REV: 4	
SCALE 1:2				SHEET 1 OF 2	
					A3



ITEM NO.	PART NUMBER	QTY.
1	137MM OLD ZEUS ECTRUSION - POWDER COATED BLACK	1
2	7021204 - Self Screw PPH 2 x 1-2	8
3	L3.1	1
4	Zeus SW18 Connector	1
5	ATHENA-CONN-CONTACT-2_20May2010	3
6	Zeus Endcap Inner LHS	1
7	Zeus container cap without outlet	1
8	Zeus left hand cap	1
9	Zeus right hand cap	1
10	SW1802BK	1
11	93963	2
12	LU20990_ZEUS BACK MOUNT UNDERDESK MOUTNING BRACKET - POWDER COATED BLACK	1
13	M4 x 8 pan head machine screw	2
14	M4 hex nut	2

NOTE: ALL COMPONENETS AND EXTRUSION TO BE BLACK

CUSTOMER SIGNATURE: MATERIAL: POLYCARBONATE / ALUMINIUM FINISH: FINE EDM / POWDER COATED COLOUR: BLACK / BLACK	TOLERANCES UNLESS OTHERWISE STATED: X ±0.5 X.X ±0.2 X.XX ±0.1 X.XXX ±0.05 ANG ±0.5°	 CMS Electracom <small>COPYRIGHT © 2015</small>		
		TITLE: ZEUS CABLE TRAY - UNDERDESK MOUNTED FROM BACK OF RAIL		
THIS DRAWING & ASSOCIATED CAD FILES ARE ISSUED IN THE STRICTEST CONFIDENCE AND ARE ONLY TO BE USED IN THE COMMERCIAL INTERESTS OF CMS ELECTRACOM PTY LTD		DRAWING: LU20988	REV: 4	A3
		SCALE 1:2	SHEET 2 OF 2	