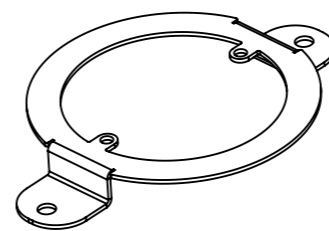


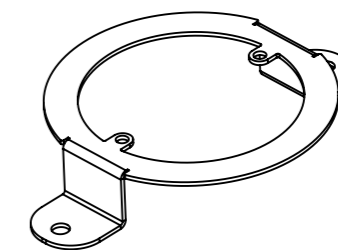
SECTION A-A

LU30034



BRACKET TO SUIT 25mm TABLE

LU30035



BRACKET TO SUIT 32mm TABLE

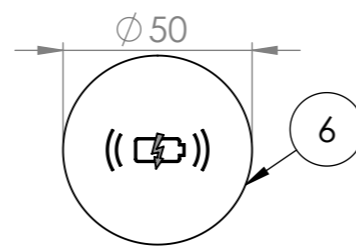
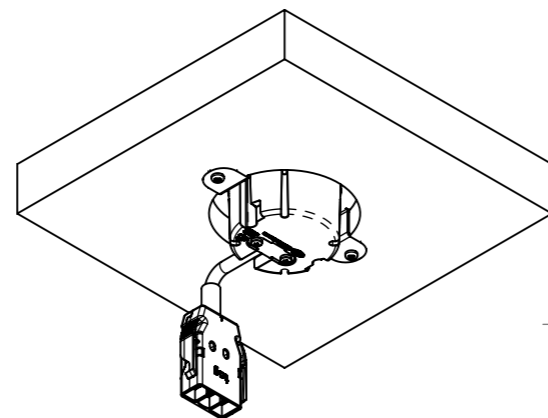
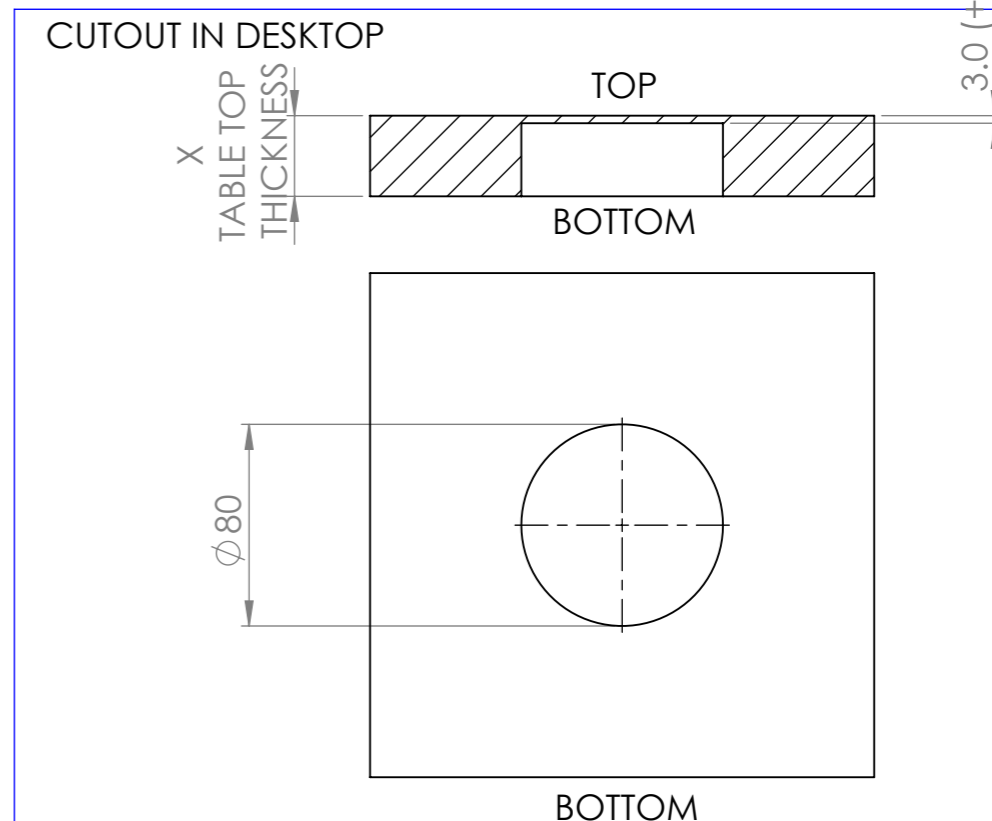
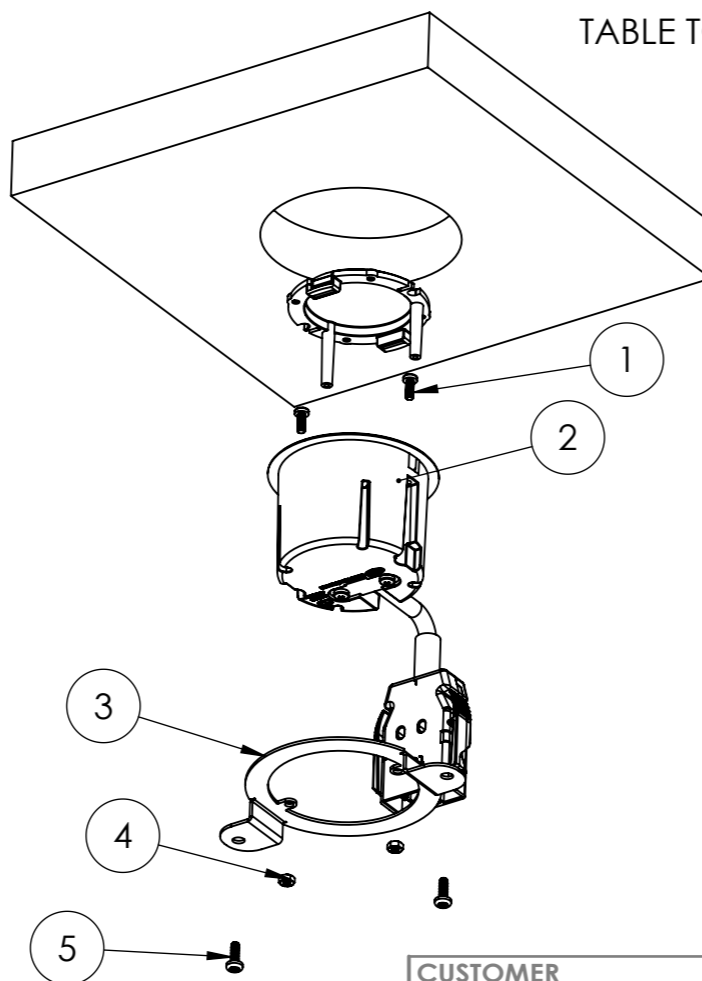


TABLE TOP STICKER



ITEM NO.	PART NUMBER	DESCRIPTION	QTY.
1	M3 x 8 pan head machine screw	M3 x 8 Pan Head Machine Screw	2
2	ECW***	ECHO WIRELESS CHARGING UNIT	1
3	LU30034 OR LU30035	UNDER DESK MOUNTING BRACKET FOR WIRELESS CHARGER	1
4	M3 nylon lock nut	M3 Hex Nut	2
5	6G x 3/8" pan head screw	6G x 3/8" Pan Head Self Tapping Screw	2
6	LU30451	WIRELESS CHARGE TABLE TOP STICKER	1
14	TABLE TOP FOR WIRELESS CHARGER		1

REV	DESCRIPTION	DATE	DRWN	APPV
3	REVISED TABLE THICKNESS	15/08/2019	AP	AP
2	ADDED TABLE TOP STICKER	10/04/2019	JC	AP
1	RELEASED FOR PRODUCTION	18/03/2019	JC	AP
REVISIONS				

CUSTOMER SIGNATURE:
 MATERIAL:
 FINISH:
 COLOUR:

THIS DRAWING & ASSOCIATED CAD FILES ARE ISSUED IN THE STRICTEST CONFIDENCE AND ARE ONLY TO BE USED IN THE COMMERCIAL INTERESTS OF CMS ELECTRACOM PTY LTD

TOLERANCES UNLESS OTHERWISE STATED:
 X ±0.5
 X.X ±0.2
 X.XX ±0.1
 X.XXX ±0.05
 ANG ±0.5°

DRAWN IN mm TO AS1100 DO NOT SCALE

 **CMS Electracom** COPYRIGHT © 2015

TITLE:
ECHO WIRELESS CHARGER UNDER DESK MOUNTING

DRAWING: **LU30030** REV: **3** **A3**

SCALE 1:3 SHEET 1 OF 1