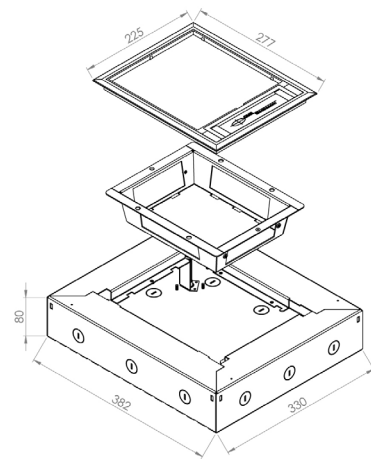
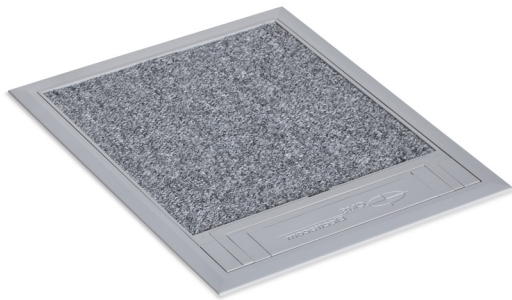


TITAN FT3TP75

LID: ABS Plastic with recess provision for carpet tile

UNDERCARRIAGE: Low Profile Access Floor Assembly - 80mm Depth



Lid Features

- Carpet frame with recessed lid, manufactured from ABS plastic.
- 7mm lid recess for carpet tile.
- Easy-grab handle and functional cable exit when lid closed.
- Lock option available for security applications.

Undercarriage Features

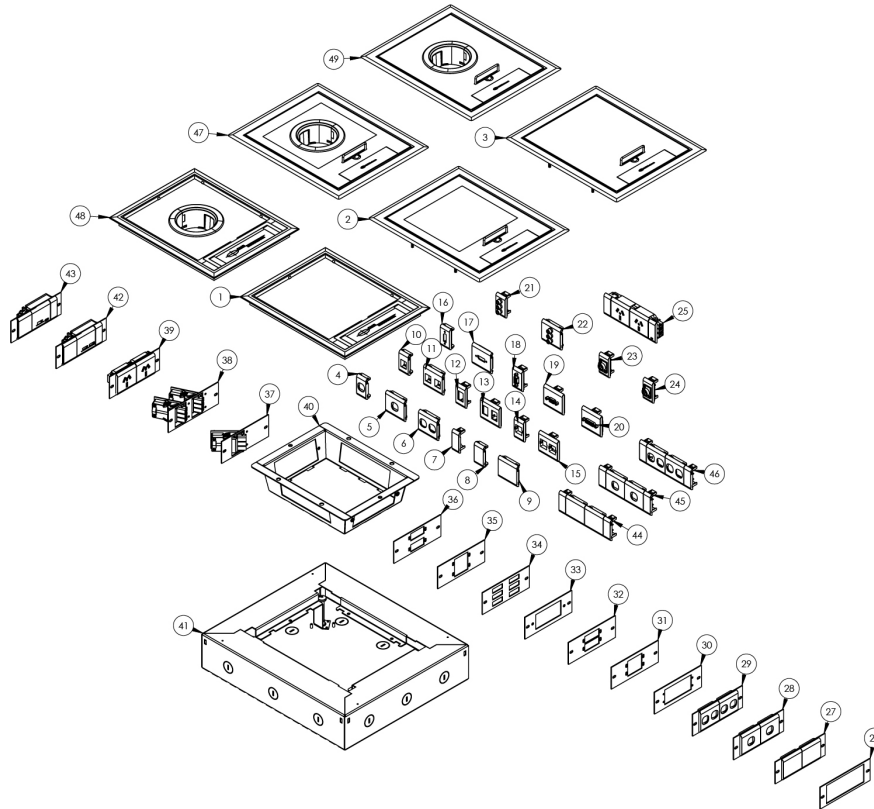
- Designed for AV Integration with Interchangeable mounting plates for Crestron, Extron, Kramer and AMX adapters.
- Wide range of modular soft/hardwired power, data and AV mounting plates.
- Durable galvanised screed box supplied with cover.
- CAT6, 6A and 7 Compliant.
- Custom brackets & plates available.
- Designed and manufactured in Australia.

Technical Specification

Floor application	Screeded concrete floor
Cut-out dimension	L384mm x W332mm x D80mm
Lid recess dimension	L200mm x W191mm x D7mm
Lid specification	ABS Plastic with recess provision for carpet tile insert.
Undercarriage and screed box specification	Undercarriage manufactured from black powder-coated mild steel. Screed box and cover manufactured from galvanised steel with knockouts for conduits.
Weight rating	120kg

TITAN FT3TP75

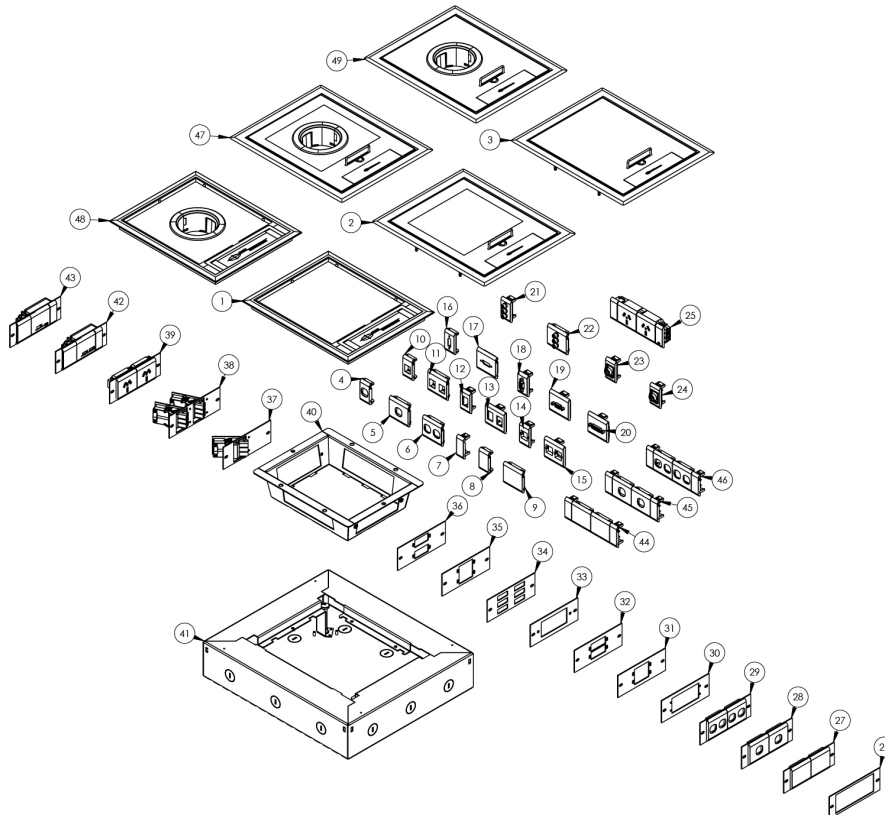
Component List



No.	Part No & Description	No.	Part No & Description
1	F3LID - APOLLO FLOORBOX PLASTIC LID	17	SW18CDP1 - 50mm TILE WITH PROVISION FOR DISPLAY PORT
2	FT3LIDSC - STAINLESS SOFT-CLOSE FB3 RECESSED LID	18	SW18BVV - 25mm TILE F/W VGA MINI GENDER BENDER
3	FTF3LIDSC - STAINLESS SOFT-CLOSE FB3 FLUSH LID	19	SW18CVV - 50mm TILE F/W VGA MINI GENDER BENDER
4	SW18B1 - 25mm SINGLE DATA TILE	20	SW18CDVI - 50mm DATA TILE - F/W DVI FEMALE CONNECTOR
5	SW18C1 - 50mm SINGLE DATA TILE	21	
6	SW18C2 - 50mm DUAL DATA TILE	22	
7	SW18A - 18mm blank tile	23	SW18BX3 - 25mm TILE F/W MINI XLR 3 PIN PLUG WITH SOLDER CUPS
8	SW18B - 25mm blank tile	24	SW18B4 - 25mm TILE F/W MINI XLR 4 PIN PLUG WITH SOLDER CUPS
9	SW18C - 50mm BLANK TILE	25	FT1802L3H - DUAL AUTO SWITCHED POWER MODULE WITH REWIREABLE CONNECTOR
10	SW18B1K - 25mm SINGLE TILE TO SUIT KEYSTONE DATA	26	FTLPBPP - LOW PROFILE TITAN 100MM BLANK PLATE
11	SW18C2K - 50mm DUAL DATA TILE TO SUIT KEYSTONE JACKS	27	FTLPBP - TITAN LOW PROFILE BLANK PLATE F/W 2 x 50mm BLANK DATA TILES
12	SW18B1SE - 25mm SINGLE TILE TO SUIT SIEMON DATA	28	FTDLP2 - TITAN LOW PROFILE DATA PLATE F/W 2 x 50mm SINGLE DATA PROVISION TILES
13	SW18C2SE - 50mm DUAL DATA TILE TO SUIT SIEMON JACKS	29	FTDLP4 - TITAN LOW PROFILE DATA PLATE F/W 2 x 50mm DOUBLE DATA PROVISION TILES
14	SW18B1SM - 25mm SINGLE TILE TO SUIT SYSTIMAX DATA	30	FTLPEXAAP - AAP EXTRON ADAPTER PLATE TO SUIT 1 x DOUBLE OR 2 x SINGLES
15	SW18C2SM - 50mm DUAL DATA TILE TO SUIT SYSTIMAX DATA	31	FTLPEXMAAP2 - TITAN FLOOR BOX MAAP EXTRON PLATE SINGLE
16	SW18BDP1 - 25mm TILE WITH PROVISION FOR DISPLAY PORT	32	FTLPEXMAAPD - TITAN FLOORBOX MAAP EXTRON ADAPTER DOUBLE

TITAN FT3TP75

Component List



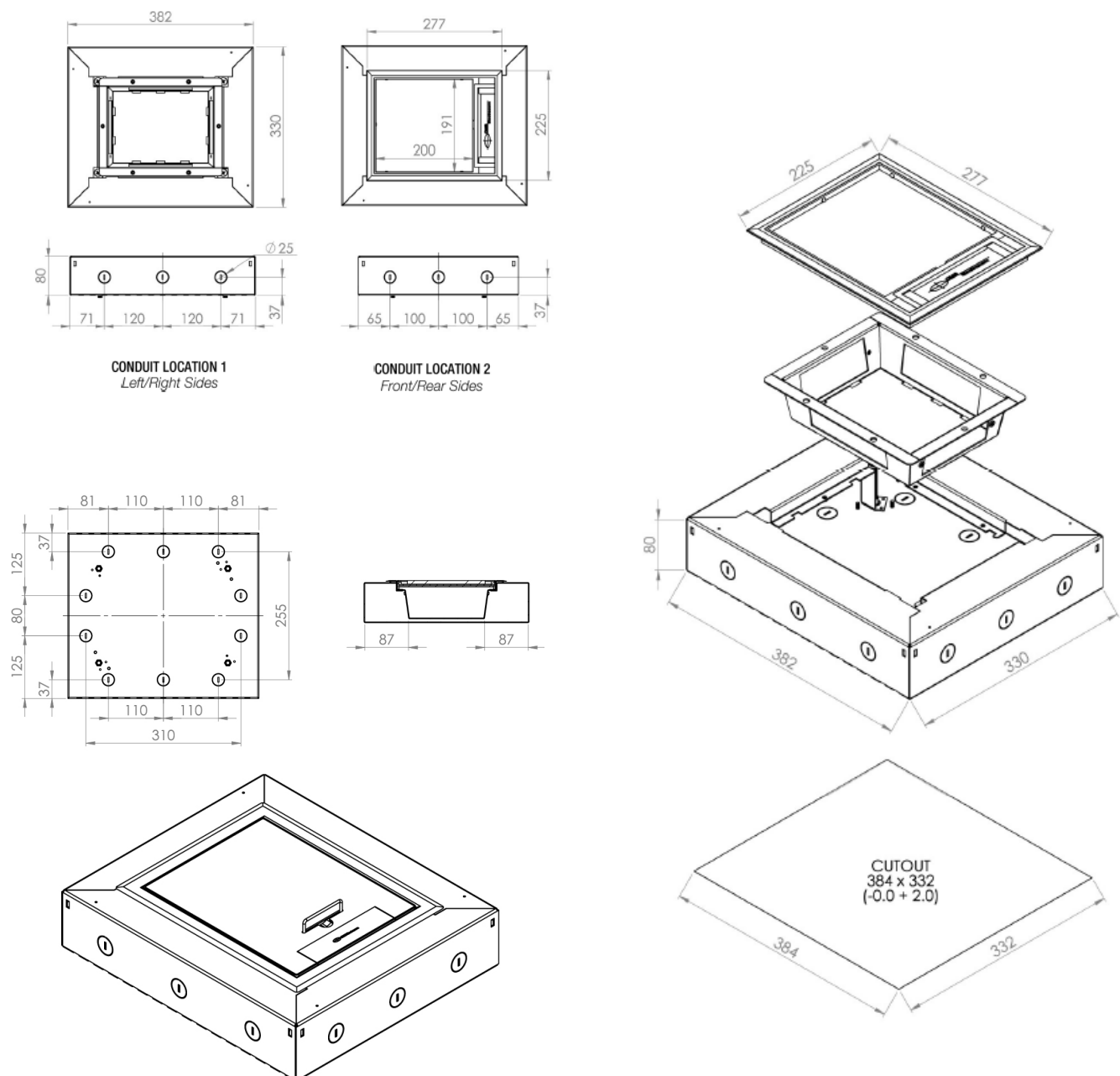
No.	Part No & Description	No.	Part No & Description
33	FTLPKRSV - KRAMER ADAPTER PLATE TO SUIT SV301 OR SV306	42	FTLPU2BK - TITAN LOW PROFILE POWER PLATE F/W DUAL USB CHARGER
34	FTLPSCD - SC DUPLEX PLATE ADAPTER PLATE TO SUIT 75mm DEEP BOX	43	FTLPUAC3BK - TITAN LOW PROFILE POWER PLATE F/W DUAL USB QUALCOMM TYPE A&C 30W Q/CHARGER
35	FTLPKRW2 - KRAMER ADAPTER PLATE TO SUIT "W" xx DOUBLE MODULES	44	FTD2BPBK - TITAN 3 COMPARTMENT BLANK TILE KIT
36	FTLPKRWD - KRAMER ADAPTER PLATE TO SUIT DOUBLE MODULES	45	FTD2C1BK - TITAN 3 COMPARTMENT 2 DATA TILE KIT
37	FTLPTAGBK - LOW PROFILE STARTER FULL PLATE C/W SINGLE REWIREABLE SOCKET	46	FTD2C2BK - TITAN 3 COMPARTMENT 4 DATA TILE KIT
38	FTLPTAG2 - LOW PROFILE STARTER FULL PLATE C/W DOUBLE REWIREABLE SOCKETS	47	FT3LIDSC-UMB - 3 COMPARTMENT STAINLESS SOFT CLOSE RECESSED LID WITH UMBILICAL GROMMET
39	FTLPP2 - LOW PROFILE POWER PLATE F/W 2 x AUTO SWITCHED GPO WITH BACK BOX	48	FT3LIDGY-UMB - 3 COMPARTMENT PLASTIC LID WITH UMBILICAL GROMMET
40	FT375-UC - LOW PROFILE FT3 UNDERCARRIAGE	49	FTF3LIDSC-UMB - 3COMPARTMENT STAINLESS SOFT CLOSE FLUSH LID WITH UMBILICAL GROMMET
41	FT3CH80 - TITAN FT3 SCREED BOX - 80mm DEEP		

TITAN FT3TP75

Technical Specification

CMS Titan FT3TP75 low profile screed floorbox lid, undercarriage and screed assembly. Lid manufactured from ABS plastic with 7mm recess provision for carpet tile Insert. Undercarriage manufactured from black powder-coated mild steel. Screed box and cover manufactured from galvanised steel with knockouts for conduits. Load capacity: 120kg

ID No.	Part No. & Description
1	F3LID - APOLLO FLOORBOX PLASTIC LID
40	FTA375-UC - FT3 LOW PROFILE UNDERCARRIAGE
41	FT3CH80 - TITAN FT3 SCREED BOX - 80mm DEEP

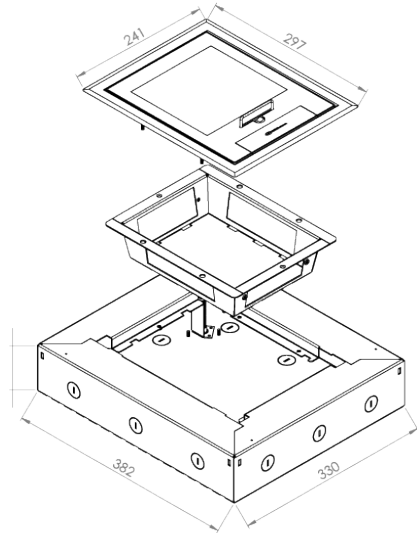


Disclaimer: CMS has made every attempt to ensure the accuracy and reliability of the information provided in this document are correct. All information contained in this document is to be used for general guidance only. CMS reserves the right to change, delete or modify the information without notice.

TITAN FT3TP75-SC

LID: Stainless steel with recess provision for carpet tile

UNDERCARRIAGE: Low Profile Screed Floor Assembly - 80mm Depth



Lid Features

- Soft-closing lid with radius edges minimises risk of accidental impact and potential cable damage.
- Easy-grab handle and functional cable exit when lid closed.
- Lock option available for security applications.

Undercarriage Features

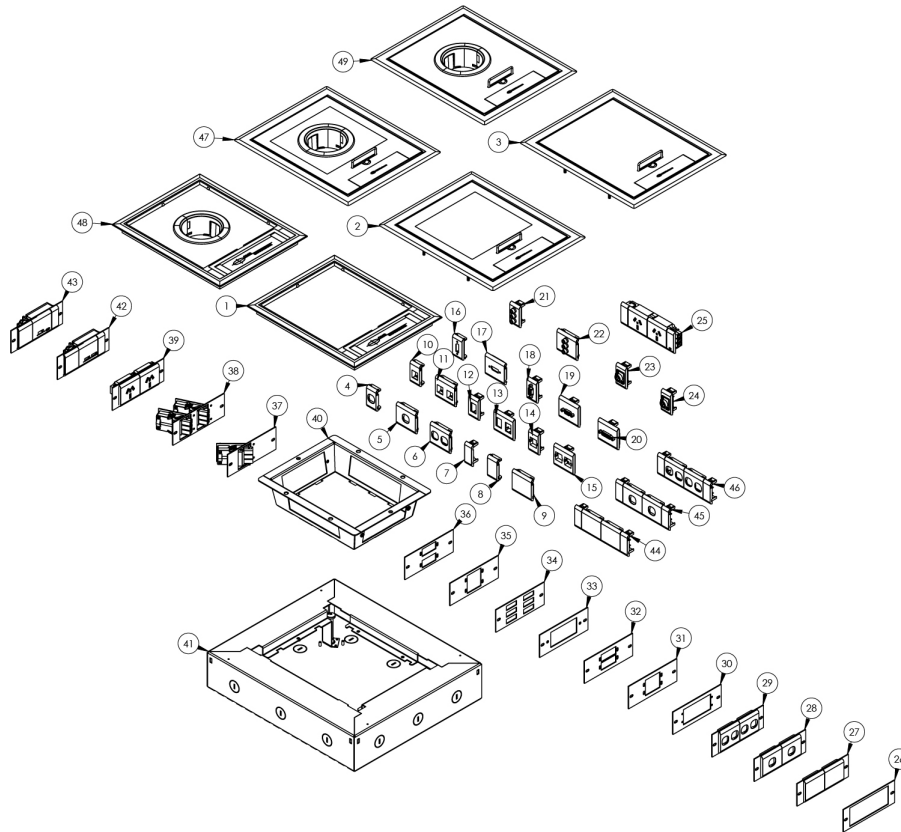
- Designed for AV Integration with Interchangeable mounting plates for Crestron, Extron, Kramer and AMX adapters.
- Wide range of modular soft/hardwired power, data and AV mounting plates.
- CAT6, 6A and 7 Compliant.
- Custom brackets & plates available.
- Designed and manufactured in Australia.

Technical Specification

Floor application	Screeded concrete floor
Cut-out dimension	L384mm x W332mm x D80mm
Lid recess dimension	L418mm x W155mm x D7mm
Lid specification	Stainless steel with recess provision for carpet tile insert.
Undercarriage and screed box specification	Undercarriage manufactured from black powder-coated mild steel. Screed box and cover manufactured from galvanised steel with knockouts for conduits.
Weight rating	150kg

TITAN FT3TP75-SC

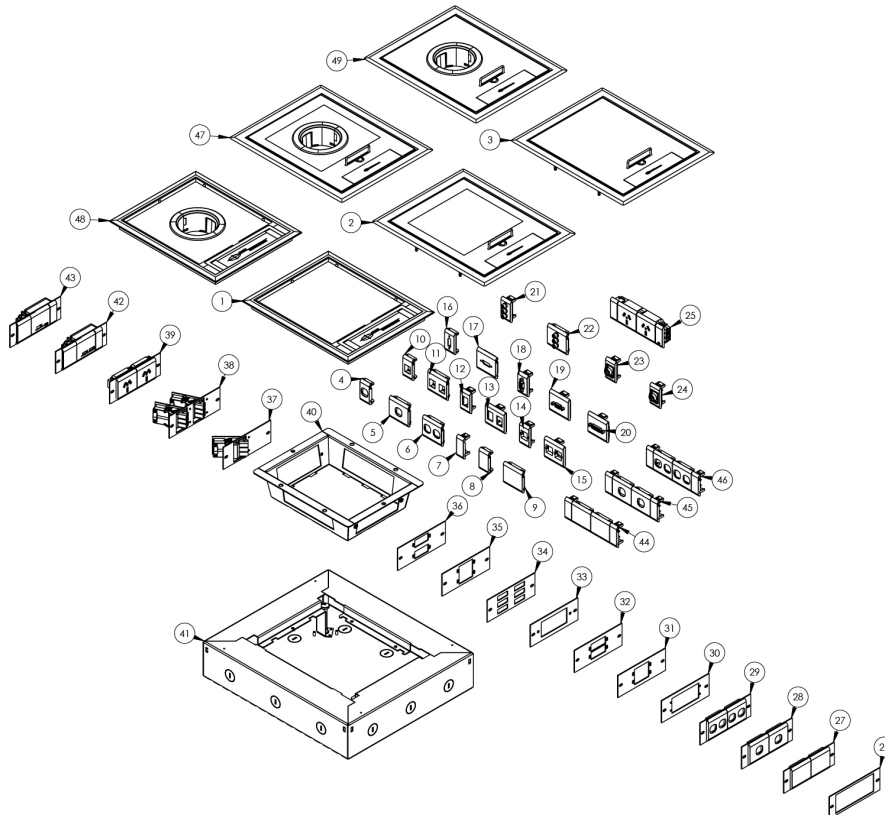
Component List



No.	Part No & Description	No.	Part No.	Description
1	F3LID - APOLLO FLOORBOX PLASTIC LID	17	SW18CDP1	SW18CDP1 - 50mm TILE WITH PROVISION FOR DISPLAY PORT
2	FT3LIDSC - STAINLESS SOFT-CLOSE FB3 RECESSED LID	18	SW18BVV	SW18BVV - 25mm TILE F/W VGA MINI GENDER BENDER
3	FTF3LIDSC - STAINLESS SOFT-CLOSE FB3 FLUSH LID	19	SW18CVV	SW18CVV - 50mm TILE F/W VGA MINI GENDER BENDER
4	SW18B1 - 25mm SINGLE DATA TILE	20	SW18CDVI	SW18CDVI - 50mm DATA TILE - F/W DVI FEMALE CONNECTOR
5	SW18C1 - 50mm SINGLE DATA TILE	21	SW18BRCA	
6	SW18C2 - 50mm DUAL DATA TILE	22	SW18CRCA	
7	SW18A - 18mm blank tile	23	SW18BX3	SW18BX3 - 25mm TILE F/W MINI XLR 3 PIN PLUG WITH SOLDER CUPS
8	SW18B - 25mm blank tile	24	SW18BX4	SW18B4 - 25mm TILE F/W MINI XLR 4 PIN PLUG WITH SOLDER CUPS
9	SW18C - 50mm BLANK TILE	25	FT1802L3H	FT1802L3H - DUAL AUTO SWITCHED POWER MODULE WITH REWIREABLE CONNECTOR
10	SW18B1K - 25mm SINGLE TILE TO SUIT KEYSTONE DATA	26	FTLPBPP	FTLPBPP - LOW PROFILE TITAN 100MM BLANK PLATE
11	SW18C2K - 50mm DUAL DATA TILE TO SUIT KEYSTONE JACKS	27	FTLPBP	FTLPBP - TITAN LOW PROFILE BLANK PLATE F/W 2 x 50mm BLANK DATA TILES
12	SW18B1SE - 25mm SINGLE TILE TO SUIT SIEMON DATA	28	FTDLP2	FTDLP2 - TITAN LOW PROFILE DATA PLATE F/W 2 x 50mm SINGLE DATA PROVISION TILES
13	SW18C2SE - 50mm DUAL DATA TILE TO SUIT SIEMON JACKS	29	FTDLP4	FTDLP4 - TITAN LOW PROFILE DATA PLATE F/W 2 x 50mm DOUBLE DATA PROVISION TILES
14	SW18B1SM - 25mm SINGLE TILE TO SUIT SYSTIMAX DATA	30	FTEXAAP	FTLPEXAAP - AAP EXTRON ADAPTER PLATE TO SUIT 1 x DOUBLE OR 2 x SINGLES
15	SW18C2SM - 50mm DUAL DATA TILE TO SUIT SYSTIMAX DATA	31	FTLPEXMAAP2	FTLPEXMAAP2 - TITAN FLOOR BOX MAAP EXTRON PLATE SINGLE

TITANFT3TP75-SC

Component List



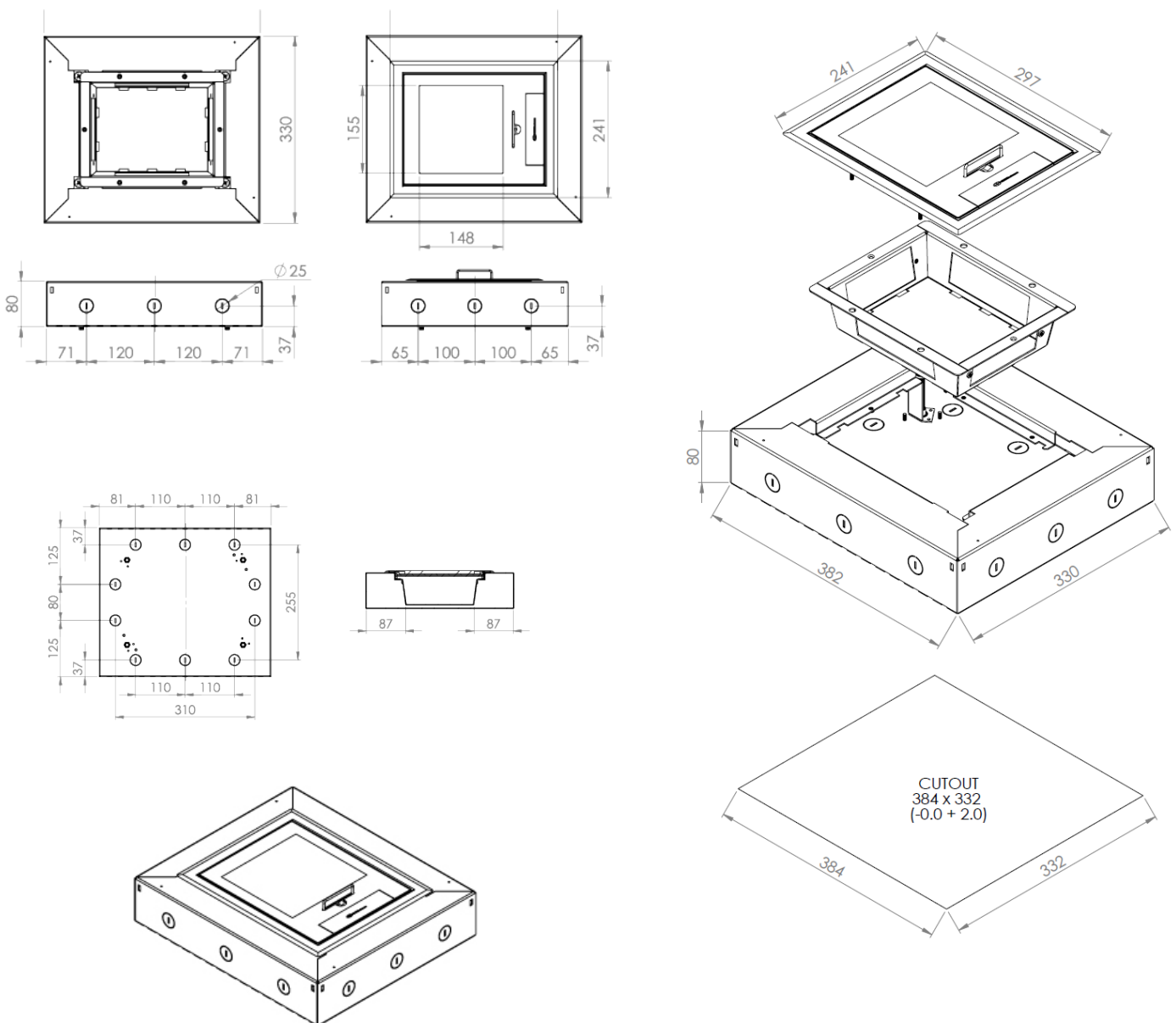
No.	Part No & Description	No.	Part No & Description
33	FTLPKRSV - KRAMER ADAPTER PLATE TO SUIT SV301 OR SV306	42	FTLPU2BK - TITAN LOW PROFILE POWER PLATE F/W DUAL USB CHARGER
34	FTLPSCD - SC DUPLEX PLATE ADAPTER PLATE TO SUIT 75mm DEEP BOX	43	FTLPUAC3BK - TITAN LOW PROFILE POWER PLATE F/W DUAL USB QUALCOMM TYPE A&C 30W Q/CHARGER
35	FTLPKRW2 - KRAMER ADAPTER PLATE TO SUIT "W" xx DOUBLE MODULES	44	FTD2BPBK - TITAN 3 COMPARTMENT BLANK TILE KIT
36	FTLPKRWD - KRAMER ADAPTER PLATE TO SUIT DOUBLE MODULES	45	FTD2C1BK - TITAN 3 COMPARTMENT 2 DATA TILE KIT
37	FTLPTAGBK - LOW PROFILE STARTER FULL PLATE C/W SINGLE REWIREABLE SOCKET	46	FTD2C2BK - TITAN 3 COMPARTMENT 4 DATA TILE KIT
38	FTLPTAG2 - LOW PROFILE STARTER FULL PLATE C/W DOUBLE REWIREABLE SOCKETS	47	FT3LIDSC-UMB - 3 COMPARTMENT STAINLESS SOFT CLOSE RECESSED LID WITH UMBILICAL GROMMET
39	FTLPP2 - LOW PROFILE POWER PLATE F/W 2 x AUTO SWITCHED GPO WITH BACK BOX	48	FT3LIDGY-UMB - 3 COMPARTMENT PLASTIC LID WITH UMBILICAL GROMMET
40	FT375-UC - LOW PROFILE FT3 UNDERCARRIAGE	49	FTF3LIDSC-UMB - 3COMPARTMENT STAINLESS SOFT CLOSE FLUSH LID WITH UMBILICAL GROMMET
41	FT3CH80 - TITAN FT3 SCREED BOX - 80mm DEEP		

TITAN FT3TP75-SC

Technical Specification

CMS Titan FTF3TP75-SC low profile screed floorbox lid, undercarriage assembly and screed box. Lid manufactured with soft-closing lid with radius edges minimises risk of accidental impact and potential cable damage. Undercarriage manufactured from black powder-coated mild steel. Screed box and cover manufactured from galvanised steel with knockouts for conduits. Load capacity: 150kg

ID No.	Part No. & Description
3	FTF3LIDSC - STAINLESS SOFT-CLOSE FB3 FLUSH
40	FTA375-UC - FT3 LOW PROFILE UNDERCARRIAGE
41	FT3CH80 - TITAN FT3 SCREED BOX - 80mm DEEP



Disclaimer: CMS has made every attempt to ensure the accuracy and reliability of the information provided in this document are correct. All information contained in this document is to be used for general guidance only. CMS reserves the right to change, delete or modify the information without notice.