



FE SERIES

Floor Outlet

The CMS FE01 is a minimal depth floor outlet finished in stainless steel, providing convenient access to power for cleaners and other services.

The FE01 is designed and manufactured by CMS to suit screeded concrete and access false-floors and is compatible with most floor finishes including carpet, floorboard, tile and vinyl.

Product Details

FE01	FE - S/Steel Round Floor Outlet, Galvanised Screed Undercarriage, Single Auto Switched GPO
FE01S	FE - S/Steel Round 127mm, Galvanised Screed 96mm, Single Starter with Protector

Colours Available

 Stainless Steel

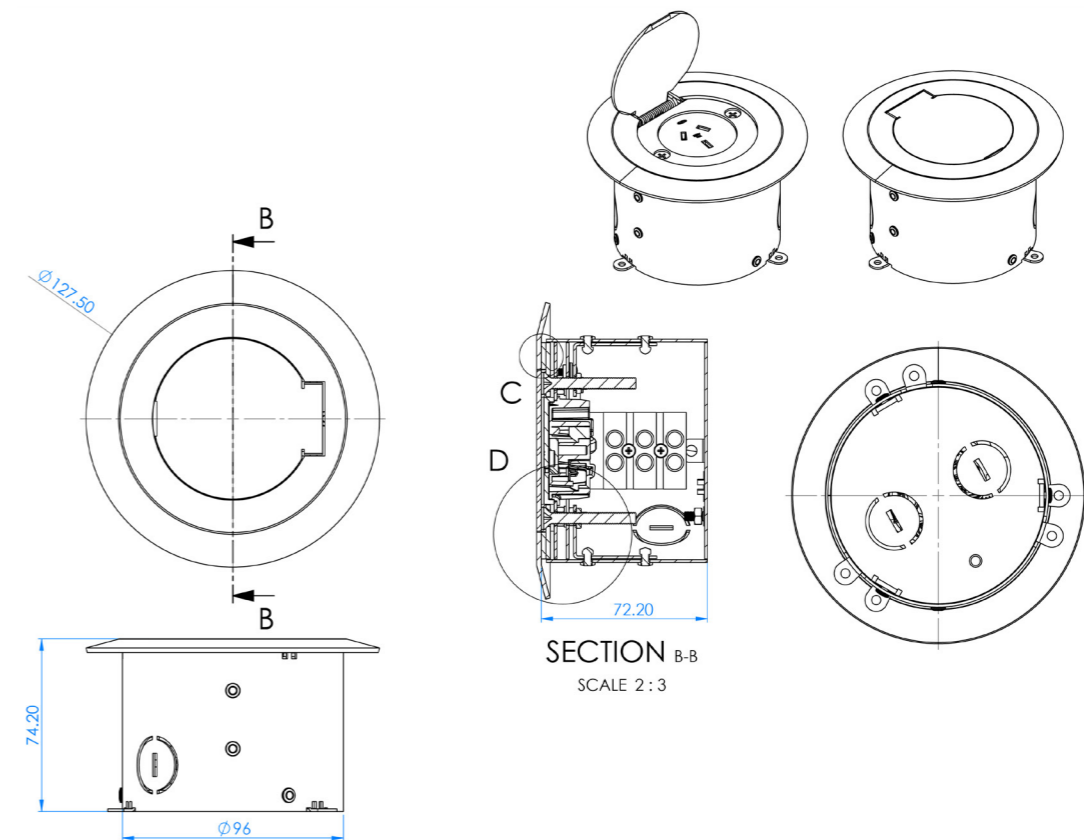
Key Features

- Spring loaded lid
- 96mm cut-out diameter
- 70mm depth
- Single shuttered GPO configuration reduces dirt and dust ingress
- Stainless steel finish with bevelled edge
- 25mm conduit knockout diameter
- Compatible with screed concrete and access false floor application

Product Specifications

FE01

Floor Application	Screeded concrete or access false floor
Cut-out Dimension	96mm diameter x 70mm depth
Lid Dimension Bevelled edge	127.5mm
Lid Specification	Stainless steel with spring loaded lid
Undercarriage Box Specification	Galvanised steel
Weight Rating	150kg



Disclaimer: CMS has made every attempt to ensure the accuracy and reliability of the information provided in this document are correct. All information contained in this document is to be used for general guidance only. CMS reserves the right to change, delete or modify the information without notice. v10925
© CMS Electracom 2025