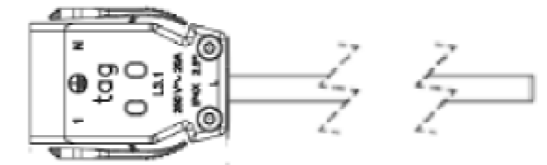


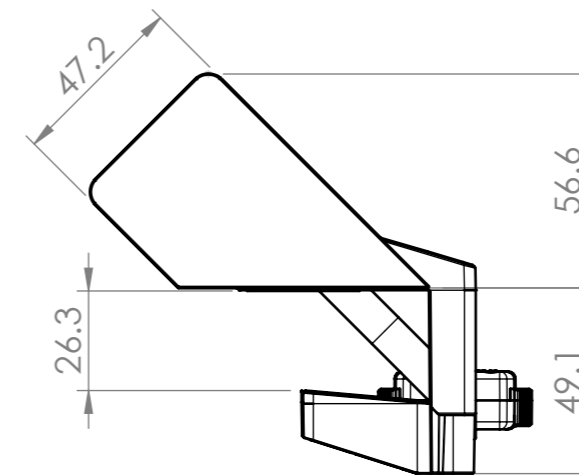
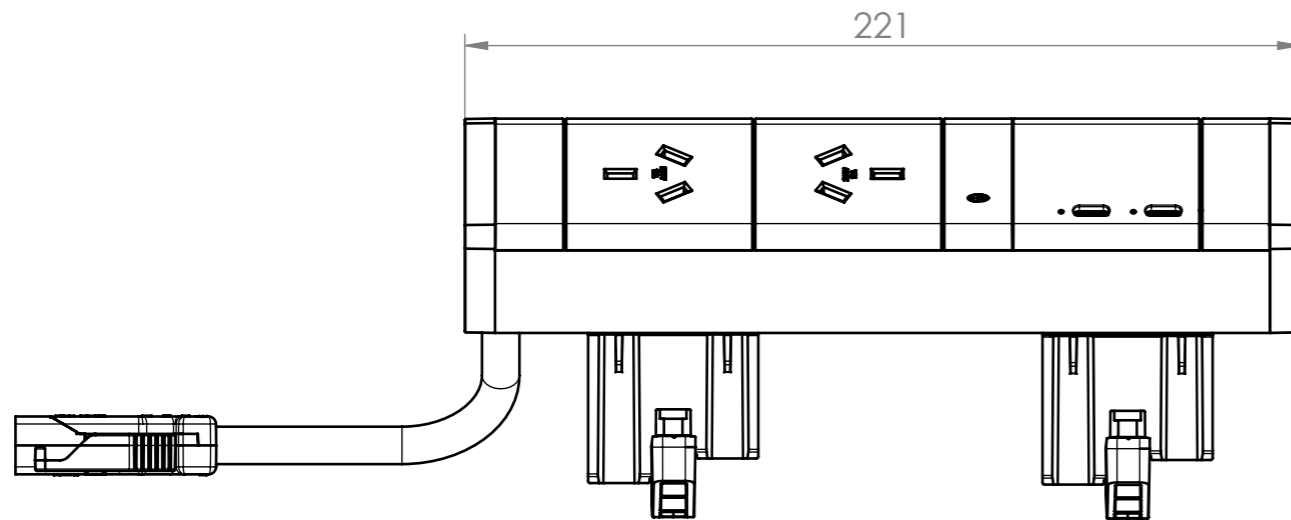
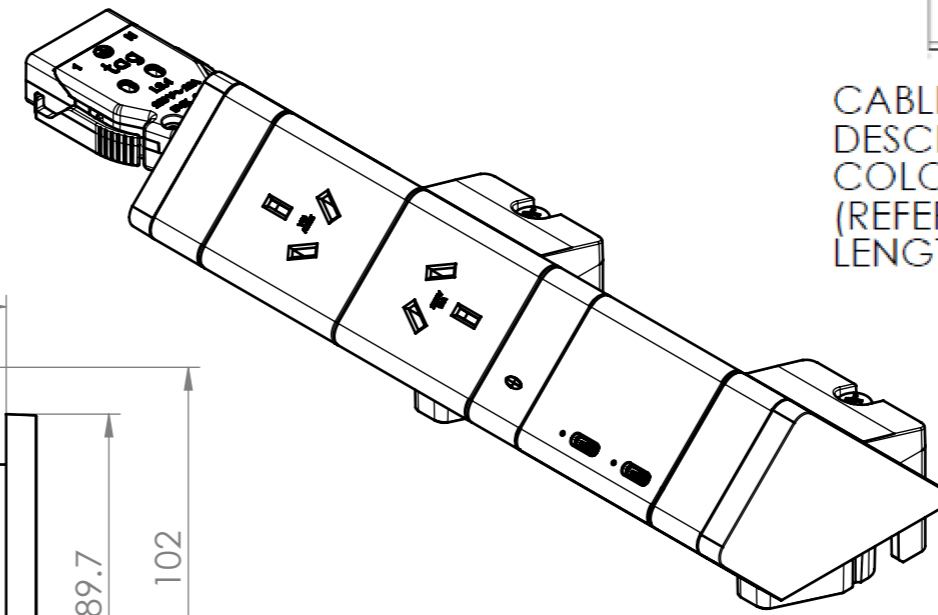
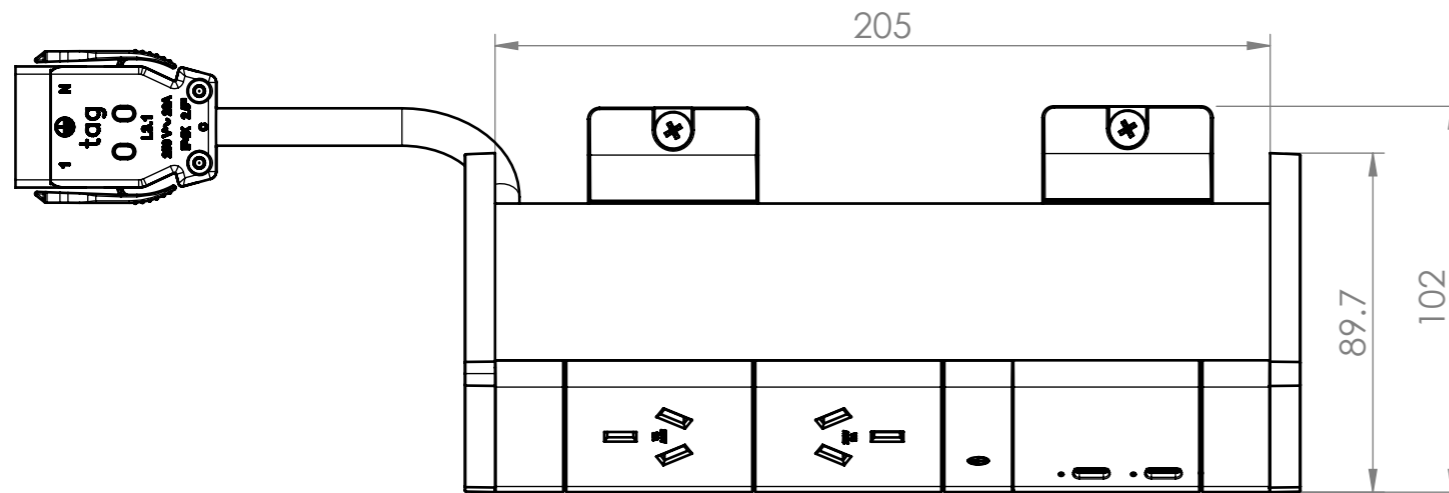
COLOUR VARIATIONS		
PART NUMBER	PLASTIC COMPONENTS	EXTRUSION
WT	WHITE	ANODISED SILVER
BK	BLACK	ANODISED SILVER
BK/BK	BLACK	POWDERCOATED BLACK MANNEX
WT/WT	WHITE	POWDERCOATED WHITE SATIN
WT/WM	WHITE	POWDERCOATED WHITE MANNEX

NOTE:




CABLE TYPE: 2.5MM
 DESCRIPTION: TAG CONNECTOR LEAD
 COLOUR: WHITE OR BLACK
 (REFER TO PURCHASE ORDER)
 LENGTH (mm):

xx	LENGTH (mm)
05	500
10	1000
15	1500
20	2000
25	2500
30	3000
35	3500
40	4000
45	4500
50	5000



PART NUMBER: AN02UCCxxXX

NOTE - xx - LENGTH - 05 / 10 / 15 / 20 / 25 / 30 / 35 / 40 / 45 / 50 / 12
 XX - COLOUR - WT / BK / (BK/BK) / (WT/WT) / (WT/WM)

CUSTOMER SIGNATURE:		TOLERANCES UNLESS OTHERWISE STATED: X ±0.5 X.X ±0.2 X.XX ±0.1 X.XXX ±0.05 ANG ±0.5°	 CMS Electracom <small>COPYRIGHT © 2015</small>		
MATERIAL: PLASTIC / ALUMINIUM					
FINISH: TEXTURED / ANODISED (POWDERCOAT)			TITLE: ATHENA2 WITH SW1802R + SW18UCC3		
COLOUR: REFER TABLE			DRAWING: LU40072		
1	RELEASED FOR QUOTATION - NOT FOR PRODUCTION	09/03/2022	AB	AP	REV: 1 A3
REV	DESCRIPTION	DATE	DRWN	APPV	
REVISIONS					SCALE 1:2 SHEET 1 OF 2
<small>THIS DRAWING & ASSOCIATED CAD FILES ARE ISSUED IN THE STRICTEST CONFIDENCE AND ARE ONLY TO BE USED IN THE COMMERCIAL INTERESTS OF CMS ELECTRACOM PTY LTD</small>					<small>DRAWN IN mm TO AS1100 DO NOT SCALE</small> 