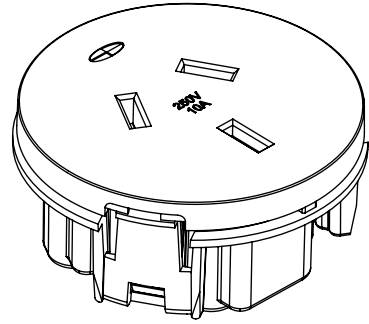
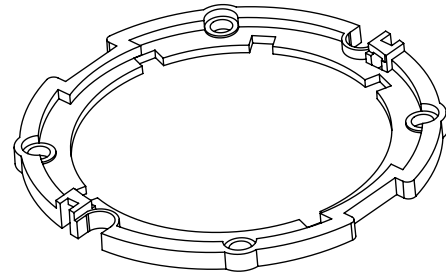


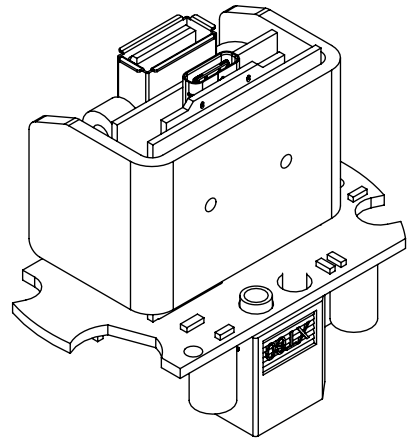
USE LU21933 WHEN INSTALLING GPO



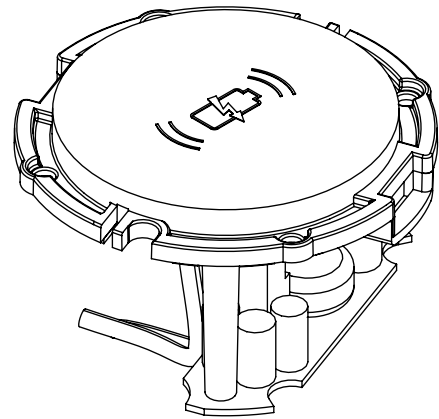
AU/NZ SOCKET OUTLET = AU



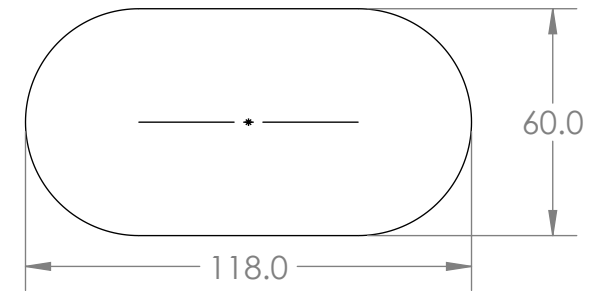
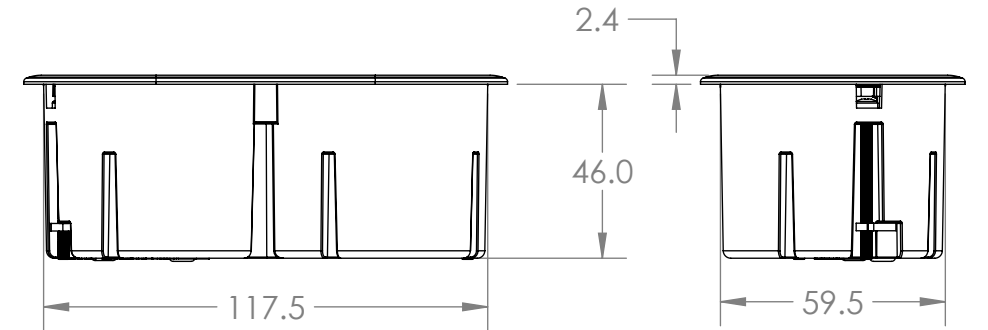
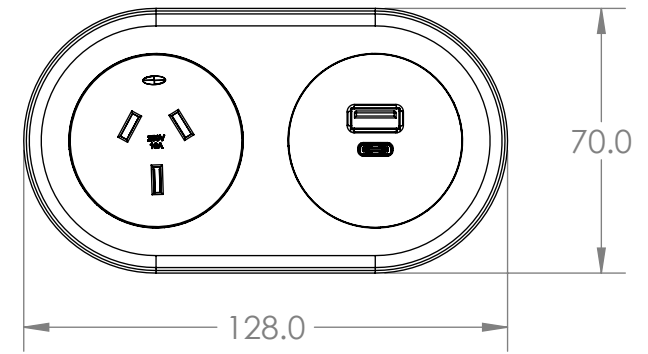
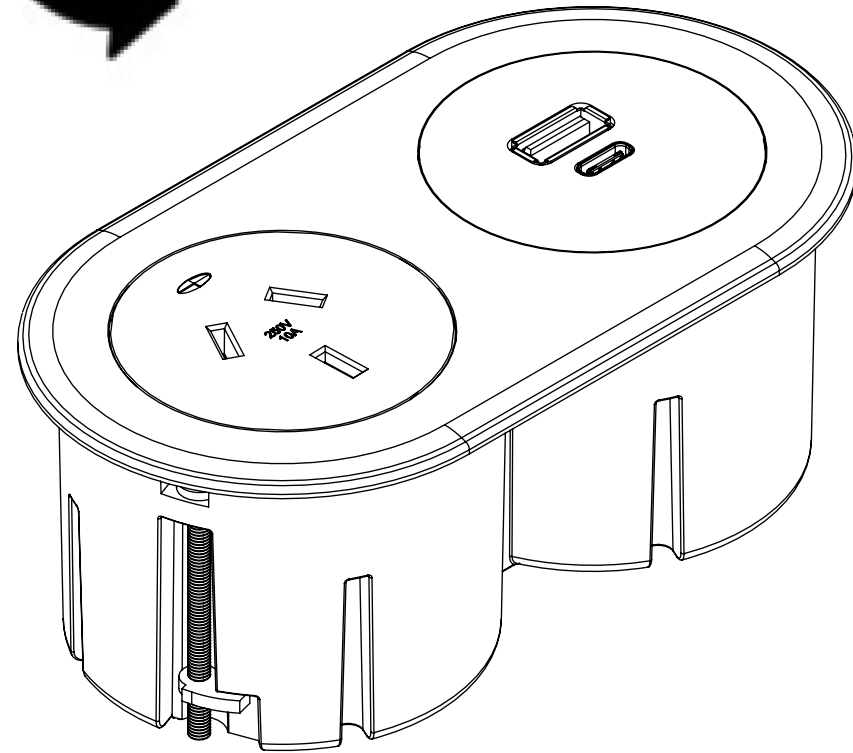
FACTORY ONLY INSERTABLE MODULES
REFER PAGE 2 FOR
MODULE CONFIGURATION



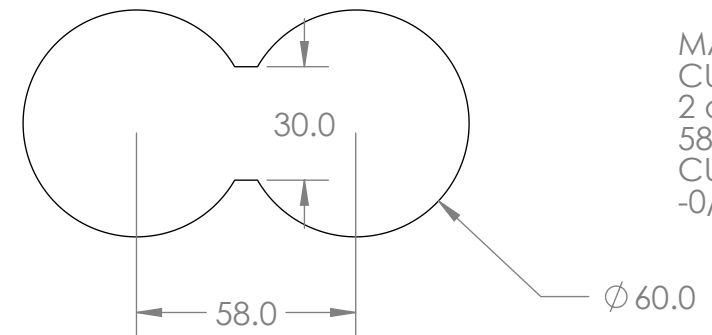
140W DC USB AC MODULE = U



DC WIRELESS CHARGING MODULE = W



ROUTING CUTOUT
118mm x 60mm
-0/+2mm



MANUAL HOLESAW
CUTOUT
2 off 60mm HOLES
58mm PITCH
CUT FLATS 30mm
-0/+2mm

CUSTOMER SIGNATURE:	
MATERIAL:	PC-FR
FINISH:	TEXTURED
COLOUR:	WHITE OR BLACK
THIS DRAWING & ASSOCIATED CAD FILES ARE ISSUED IN THE STRICTEST CONFIDENCE AND ARE ONLY TO BE USED IN THE COMMERCIAL INTERESTS OF CMS ELECTRACOM PTY LTD	

TOLERANCES UNLESS OTHERWISE STATED:

X ±0.5
X.X ±0.2
X.XX ±0.1
X.XXX ±0.05
ANG ±0.5°

DRAWN IN mm TO AS1100 DO NOT SCALE



CMS Electracom COPYRIGHT © 2015

TITLE:
AU MULTI 2 ECHO DC CONFIGURATIONS

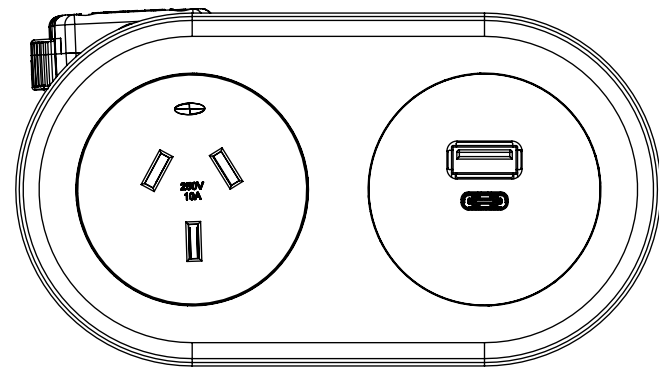
DRAWING: LU41660 **REV:** 1

A3

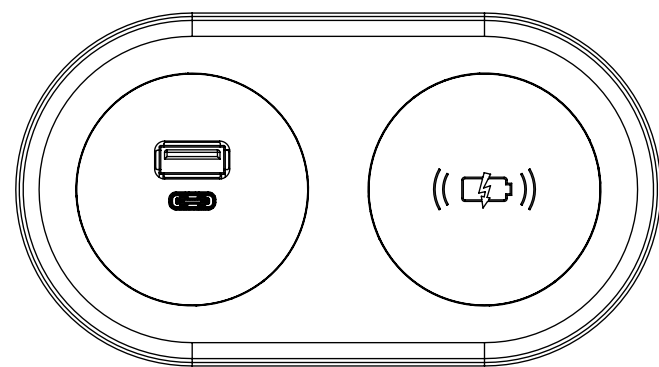
SCALE 1:2

SHEET 1 OF 4

1	RELEASED FOR PRODUCTION	16/1/2023	JB	RG
REV	DESCRIPTION	DATE	DRWN	APPV
REVISIONS				

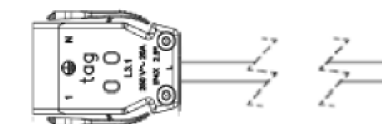


FREDA1UXxxDXX



FREDUWXxxDXX

NOTE: ONLY FREDA1UXxxDXX COMES WITH LEAD



CABLE TYPE: 2.5MM
 DESCRIPTION: TAG CONNECTOR LEAD
 COLOUR: WHITE OR BLACK
 (REFER TO PURCHASE ORDER)
 LENGTH (mm):

xx	LENGTH (mm)
05	500
10	1000
15	1500
20	2000
25	2500
30	3000
35	3500
40	4000
45	4500
50	5000

NOTE: ONLY FREDA1UXxxDXX COMES WITH LEAD



CABLE TYPE: 1MM
 DESCRIPTION: AUSTRALIAN PLUG LEAD
 WITH THERMAL OVERLOAD
 COLOUR: WHITE OR BLACK
 (REFER TO PURCHASE ORDER)
 LENGTH (mm):


xx	LENGTH (mm)
05	500
10	1000
15	1500
20	2000
25	2500
30	3000
35	3500
40	4000
45	4500
50	5000

PART NUMBER: FREDA1UXxxDXX

NOTE - X - LEAD TYPE (TAG = T OR 3PIN PLUG = A)

xx - LENGTH - 05 / 10 / 15 / 20 / 25 / 30 / 35 / 40 / 45 / 50

XX - COLOUR - WT / BK

CUSTOMER SIGNATURE:	TOLERANCES UNLESS OTHERWISE STATED: X ±0.5 X.X ±0.2 X.XX ±0.1 X.XXX ±0.05 ANG ±0.5°	 CMS Electracom <small>COPYRIGHT © 2015</small>		
MATERIAL: PC-FR		TITLE: AU MULTI 2 ECHO DC CONFIGURATIONS		
FINISH: TEXTURED		DRAWING: LU41660	REV: 1	A3
COLOUR: WHITE OR BLACK		SCALE 1:2 SHEET 2 OF 4		
THIS DRAWING & ASSOCIATED CAD FILES ARE ISSUED IN THE STRICTEST CONFIDENCE AND ARE ONLY TO BE USED IN THE COMMERCIAL INTERESTS OF CMS ELECTRACOM PTY LTD		DRAWN IN mm TO AS1100 DO NOT SCALE 