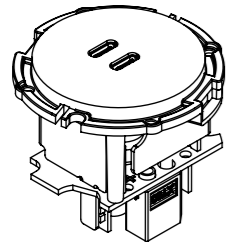
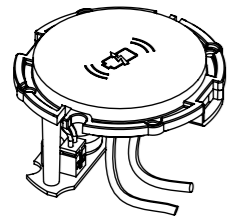


140W DC USB AC MODULE = U

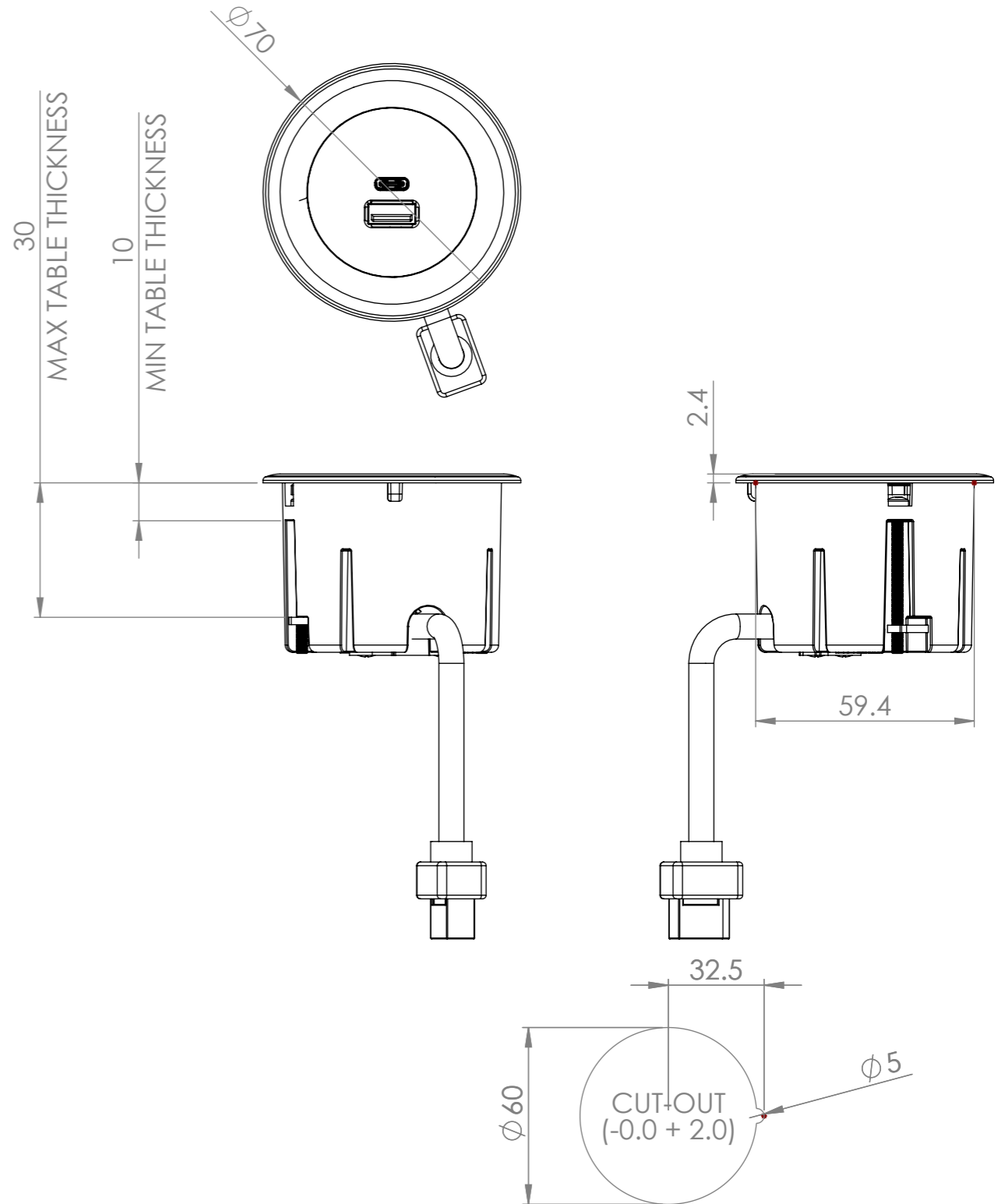
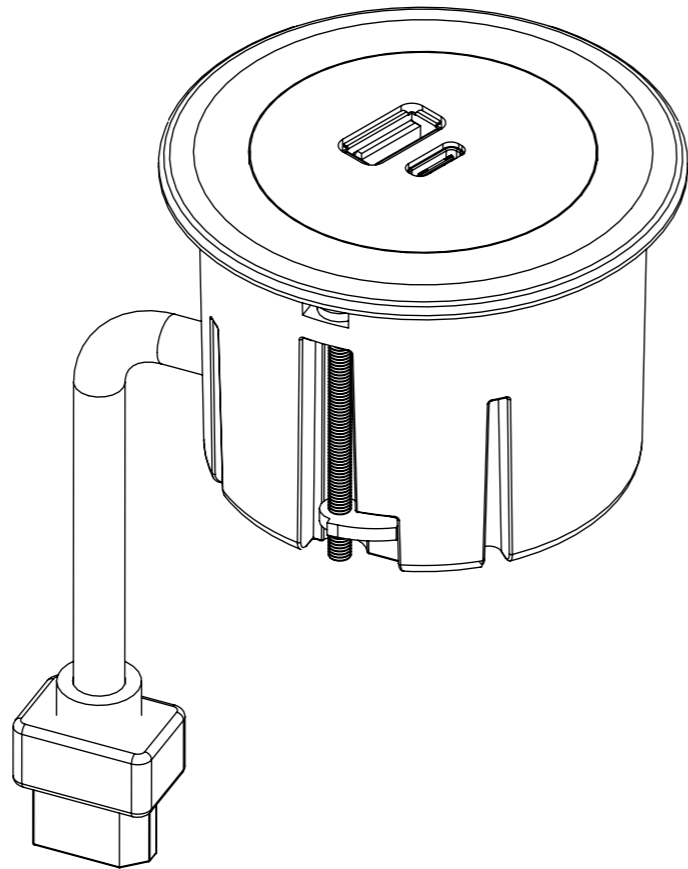


140W DC USB CC MODULE = UC



DC WIRELESS CHARGING MODULE = W


FACTORY ONLY INSERTABLE MODULES REFER PAGE 2 FOR MODULE CONFIGURATIONS



REV	DESCRIPTION	DATE	DRWN	APPV
3	140W USB C+C CONFIGURATIONS ADDED	4/6/2025	JB	RG
2	DC INPUT POWER LOCATION UPDATED	21/5/2024	JB	RG
1	RELEASED FOR PRODUCTION	16/1/2023	JB	RG
REVISIONS				

CUSTOMER SIGNATURE:	
MATERIAL:	PC-FR
FINISH:	FINE EDM / POLISHED
COLOUR:	BLACK OR WHITE
THIS DRAWING & ASSOCIATED CAD FILES ARE ISSUED IN THE STRICTEST CONFIDENCE AND ARE ONLY TO BE USED IN THE COMMERCIAL INTERESTS OF CMS ELECTRACOM PTY LTD	

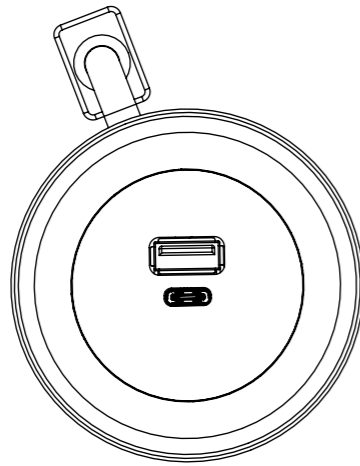
TOLERANCES UNLESS OTHERWISE STATED:
X ±0.5
X.X ±0.2
X.XX ±0.1
X.XXX ±0.05
ANG ±0.5°
DRAWN IN mm TO AS1100 DO NOT SCALE

 **CMS Electracom** COPYRIGHT © 2015

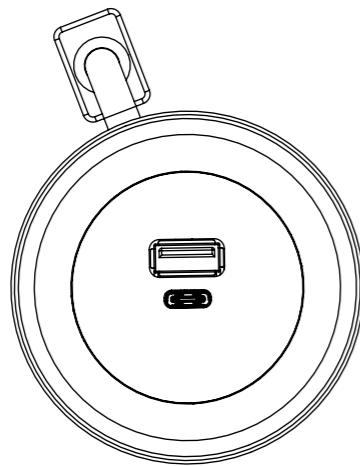
TITLE: ECHO DC CONFIGURATIONS

DRAWING: LU41713 **REV:** 3 **A3**

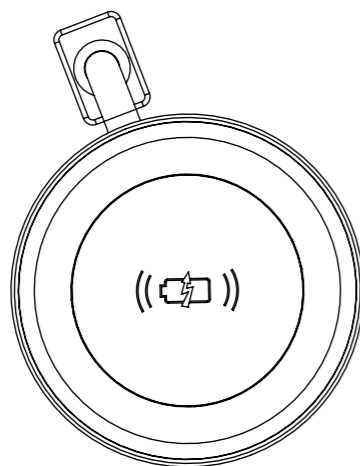
SCALE 1:2 SHEET 1 OF 5



FREUXxxXX

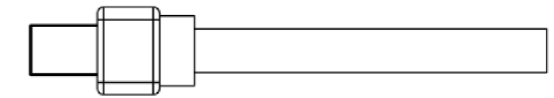


FREUCXxxXX



FREWXxxXX

NOTE:



CABLE TYPE: 2 CORE x 2.5mm²
 DESCRIPTION: XT60 MALE CONNECTOR LEAD
 COLOUR: BLACK
 (REFER TO PURCHASE ORDER)
 LENGTH (mm):


xx	LENGTH (mm)
05	500
10	1000

PART NUMBER: FREUXxxXX

NOTE - X - LEAD TYPE (XT60 = X)

xx - LENGTH - 05 / 10

XX - COLOUR - WT / BK / (BK/BK) / (WT/WT) / (WT/WM)

CUSTOMER SIGNATURE:	TOLERANCES UNLESS OTHERWISE STATED: X ±0.5 X.X ±0.2 X.XX ±0.1 X.XXX ±0.05 ANG ±0.5°	 CMS Electracom <small>COPYRIGHT © 2020</small>		
MATERIAL: PC-FR		TITLE: ECHO DC CONFIGURATIONS		
FINISH: FINE EDM / POLISHED		DRAWING: LU41713	REV: 3	A3
COLOUR: WHITE OR BLACK		SCALE 1:2		
THIS DRAWING & ASSOCIATED CAD FILES ARE ISSUED IN THE STRICTEST CONFIDENCE AND ARE ONLY TO BE USED IN THE COMMERCIAL INTERESTS OF CMS ELECTRACOM PTY LTD	DRAWN IN mm TO AS1100 DO NOT SCALE	SHEET 2 OF 5		