
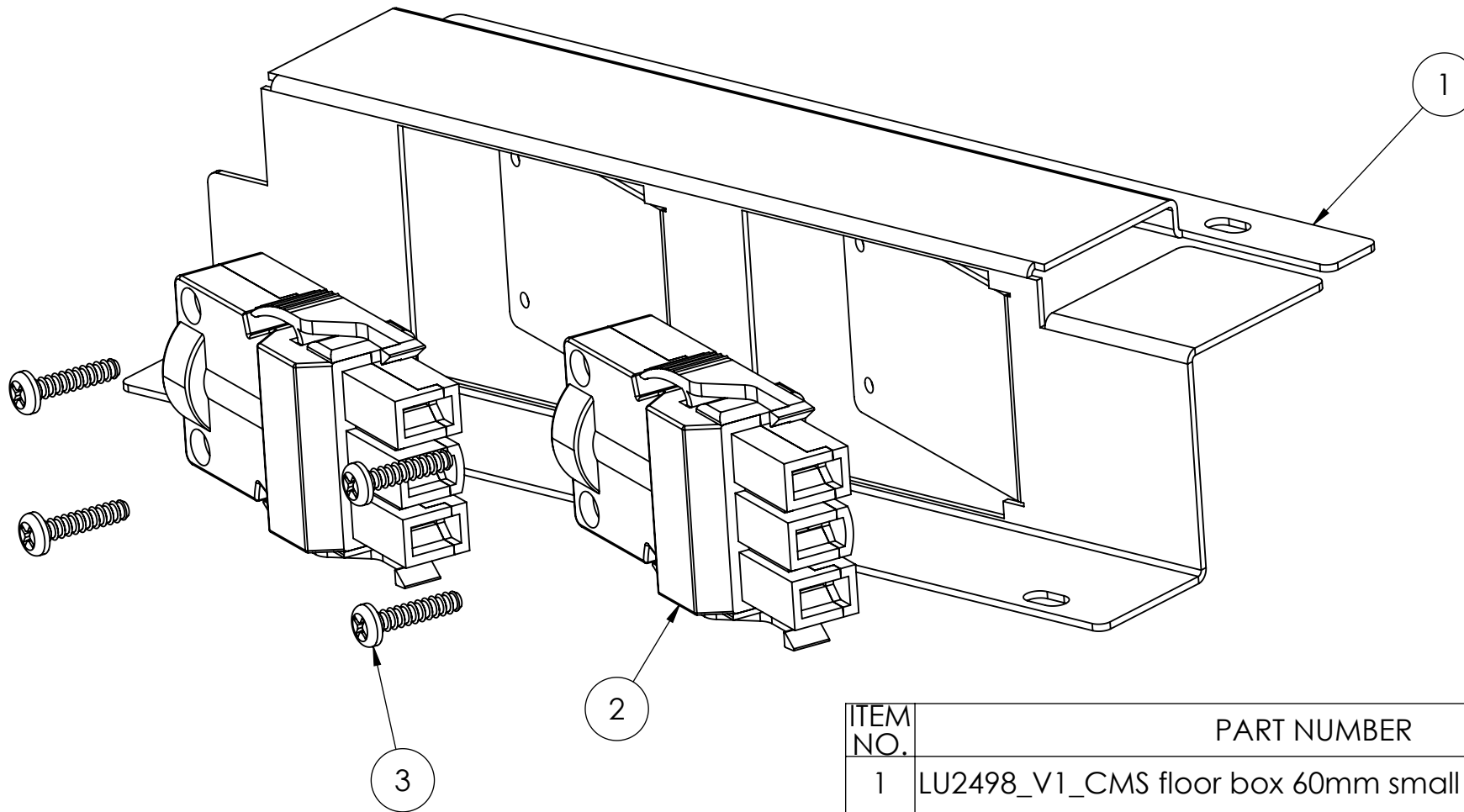



REVISION HISTORY		UNLESS OTHERWISE SPECIFIED: DIMENSIONS ARE IN MILLIMETERS	
N.	DATE	MODIFICATIONS	TOLERANCES
1	26/08/11	ISSUED FOR MANUFACTURING	0.00 ± 0.02 ANGULAR ± 0.5° 0.0 ± 0.1 0 ± 0.5
2			DEBUR AND BREAK SHARP EDGES
3			THE MATERIAL CONTAINED HEREIN IS THE SOLE PROPERTY OF CMS ELECTRACOM. ANY UNAUTHORIZED REPRODUCTIONS, MODIFICATIONS AND / OR DISTRIBUTION IS STRICTLY PROHIBITED.
4			
5			
6			
7			
8			
9			
10			
11			
12			
13			

DO NOT SCALE DRAWING		REVISION	1
			
TITLE:			
CMS floor box 60mm small 2 x starter plate			
DWG NO.	LU-2498		
PART NO.	FBP260ST2		
SCALE	1:1	SHEET	1 OF 2
			A4



ITEM NO.	PART NUMBER	QTY.
1	LU2498_V1_CMS floor box 60mm small 2 x starter plate	1
2	L3.20BK	2
3	6G x 5/8" pan head screw	4

REVISION HISTORY		UNLESS OTHERWISE SPECIFIED: DIMENSIONS ARE IN MILLIMETERS	DO NOT SCALE DRAWING	REVISION 1
N.	DATE	MODIFICATIONS	 <p>TOLERANCES</p> <p>0.00 ± 0.02 ANGULAR ± 0.5° 0.0 ± 0.1 0 ± 0.5</p> <p>DEBUR AND BREAK SHARP EDGES</p> <p>THE MATERIAL CONTAINED HEREIN IS THE SOLE PROPERTY OF CMS ELECTRACOM. ANY UNAUTHORIZED REPRODUCTIONS, MODIFICATIONS AND / OR DISTRIBUTION IS STRICTLY PROHIBITED.</p> <p>TITLE: CMS floor box 60mm small 2 x starter plate</p>	
1	26/08/11	ISSUED FOR MANUFACTURING		
2				
3				
4				
5				
6				
7				
8				
9				
10				
11				
12				
13				
		NAME	DATE	DWG NO.
		LUCKY	26/08/11	LU-2498
		MATERIAL:	1.2mm Steel	PART NO.
		FINISH:	Powder coat black satin	FBP260ST2
		FILE ON SHARED\CAD:	H:\Melbourne\CAD\Other drawings\Production\Floor box	SCALE
		FILE ON NAS:	Z:\Work files\Floor boxes\CMS floor box\Production\60mm\Small\Plates	N/A
				SHEET 2 OF 2
				A4