

REV	DESCRIPTION	DATE	DRWN	APPV
2	M3 CLINCH NUTS ADDED	24/10/2022	JB	RG
1	RELEASED FOR PRODUCTION	17/10/2022	JB	RG
REVISIONS				

CUSTOMER SIGNATURE:
MATERIAL: 1.2MM M.S
FINISH: POWDERCOAT
COLOUR: BLACK SATIN
THIS DRAWING & ASSOCIATED CAD FILES ARE ISSUED IN THE STRICTEST CONFIDENCE AND ARE ONLY TO BE USED IN THE COMMERCIAL INTERESTS OF CMS ELECTRACOM PTY LTD

TOLERANCES UNLESS OTHERWISE STATED:

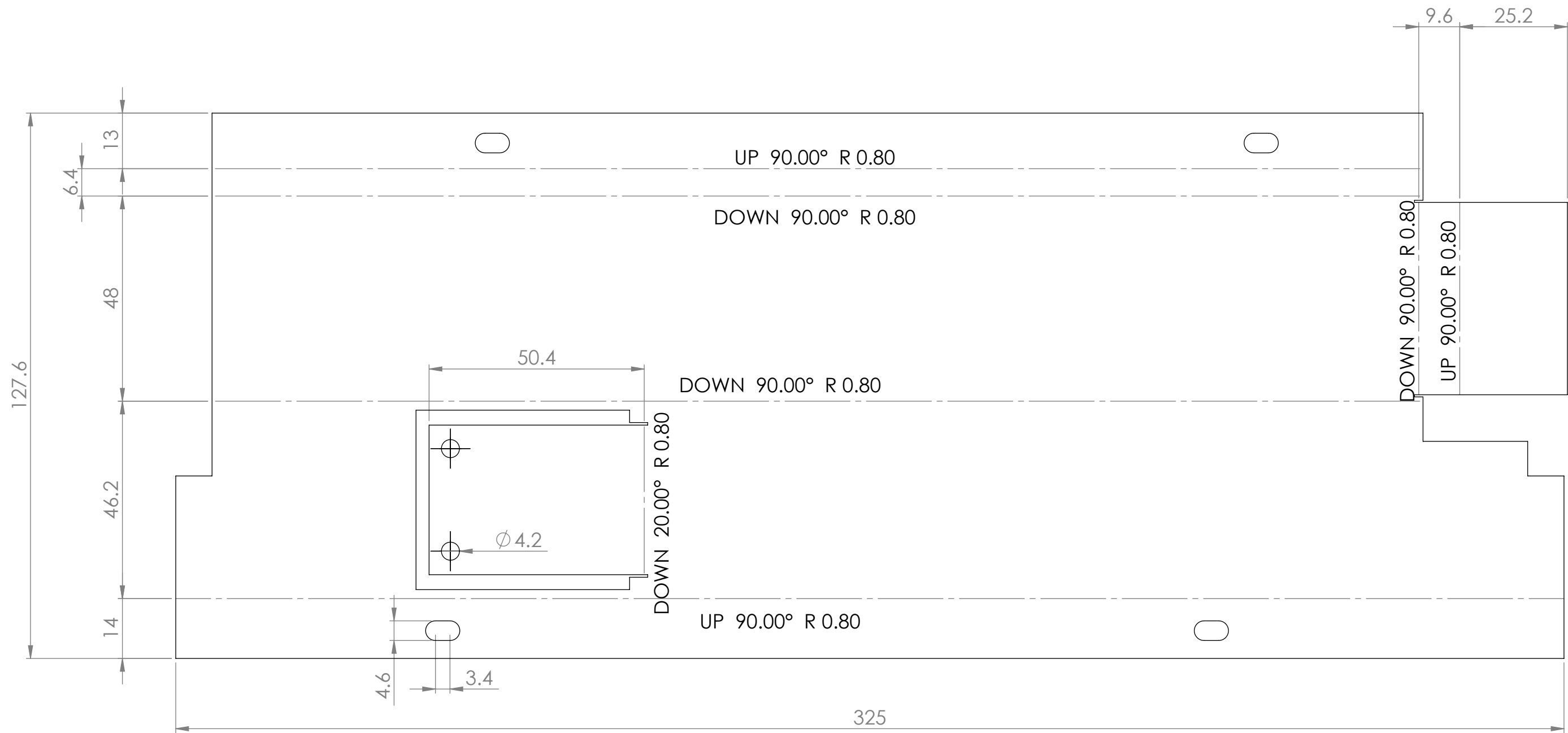
X ±0.5
 X.X ±0.2
 X.XX ±0.1
 X.XXX ±0.05
 ANG ±0.5°

DRAWN IN mm TO AS1100 DO NOT SCALE



TITLE:
 CMS FLOOR BOX 60MM LARGE 1 X STARTER PLATE

DRAWING: LU37351	REV: 2	A3
SCALE 1:2	SHEET 1 OF 3	



CUSTOMER SIGNATURE:	TOLERANCES UNLESS OTHERWISE STATED: X ±0.5 X.X ±0.2 X.XX ±0.1 X.XXX ±0.05 ANG ±0.5°
MATERIAL: 1.2MM M.S	
FINISH: POWDERCOAT	
COLOUR: BLACK SATIN	
<small>THIS DRAWING & ASSOCIATED CAD FILES ARE ISSUED IN THE STRICTEST CONFIDENCE AND ARE ONLY TO BE USED IN THE COMMERCIAL INTERESTS OF CMS ELECTRACOM PTY LTD</small>	

TOLERANCES UNLESS OTHERWISE STATED:

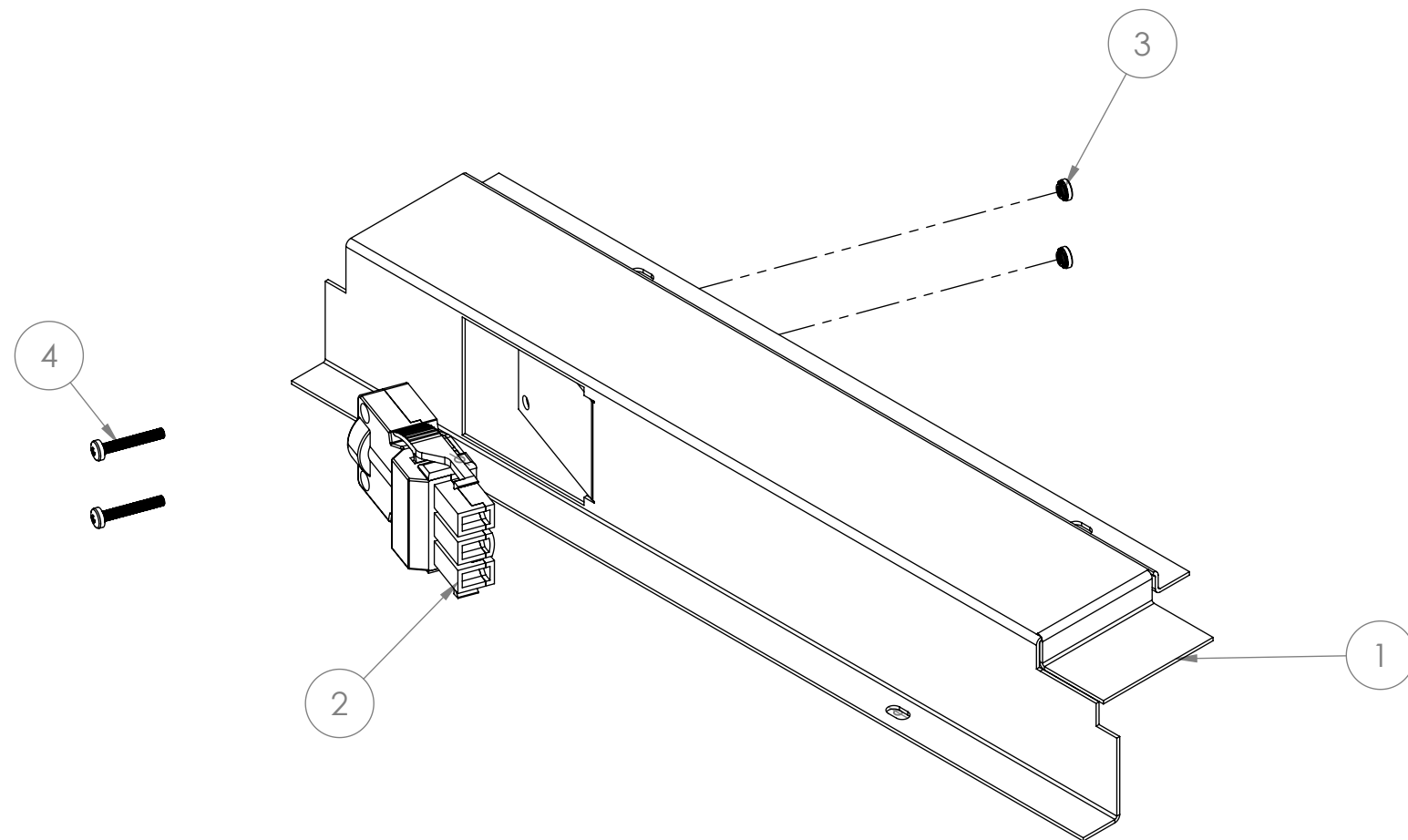
X ±0.5
X.X ±0.2
X.XX ±0.1
X.XXX ±0.05
ANG ±0.5°

DRAWN IN mm TO AS1100 DO NOT SCALE


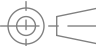


TITLE:
CMS FLOOR BOX 60MM LARGE 1X STARTER PLATE

DRAWING: LU37351	REV: 2	A3
SCALE 1:2	SHEET 2 OF 3	



ITEM NO.	PART NUMBER	DESCRIPTION	QTY.
1	LU37351	CMS floor box 60mm large 1 x starter plate	1
2	L3.20	REWIREABLE - FEMALE TAG SOCKET 20 AMP	1
3	-	M3 Clinch Nut	2
4	-	M3 x 20 Pan Head Machine Screw	2

CUSTOMER SIGNATURE:		TOLERANCES UNLESS OTHERWISE STATED: X ±0.5 X.X ±0.2 X.XX ±0.1 X.XXX ±0.05 ANG ±0.5°	 CMS Electracom <small>COPYRIGHT © 2020</small>	
MATERIAL: 1.2MM M.S				
FINISH: POWDERCOAT			DRAWING: LU37351	
COLOUR: BLACK SATIN				
<small>THIS DRAWING & ASSOCIATED CAD FILES ARE ISSUED IN THE STRICTEST CONFIDENCE AND ARE ONLY TO BE USED IN THE COMMERCIAL INTERESTS OF CMS ELECTRACOM PTY LTD</small>		<small>DRAWN IN mm TO AS1100 DO NOT SCALE</small> 	A3	
		SCALE 1:2	SHEET 3 OF 3	