
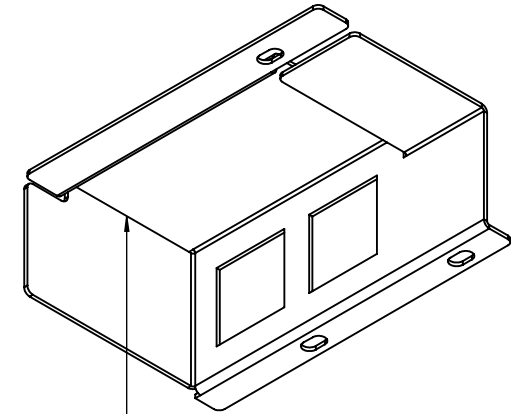
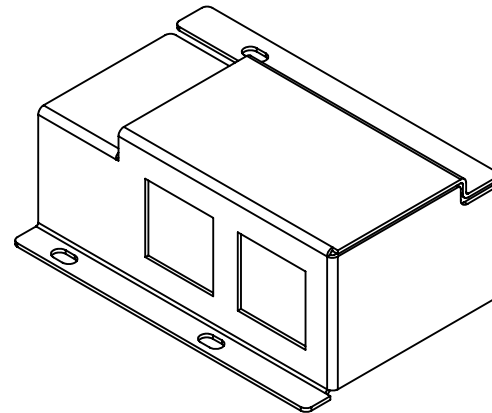
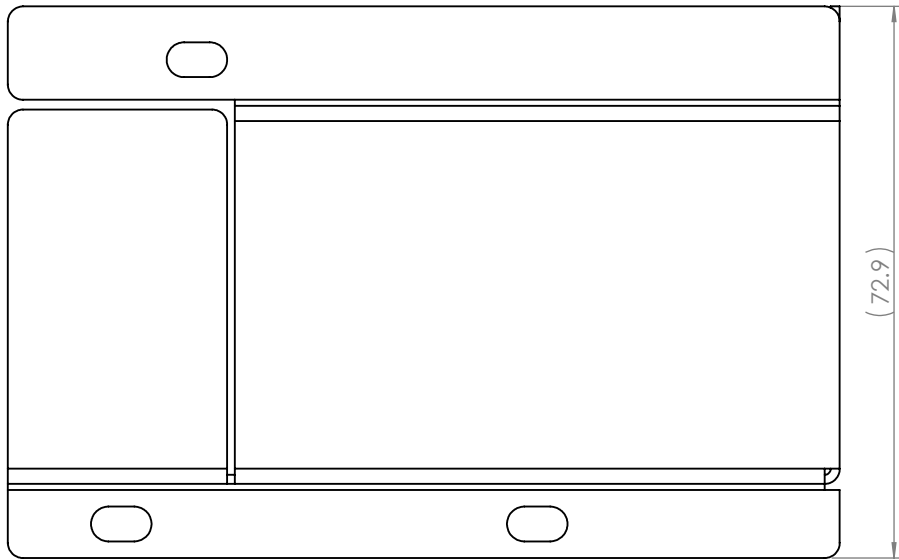
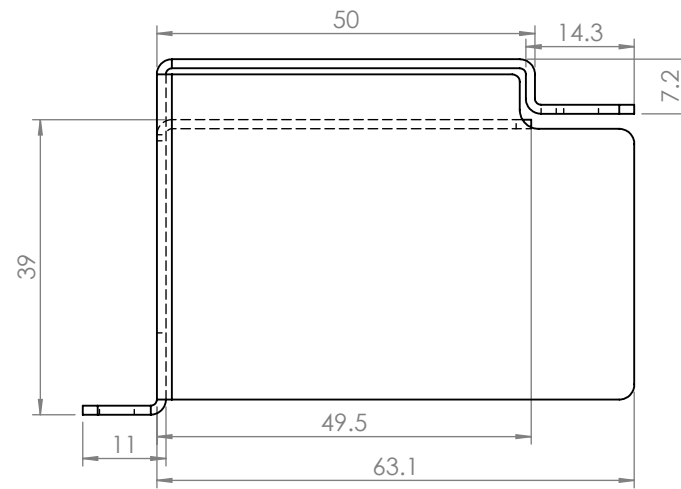
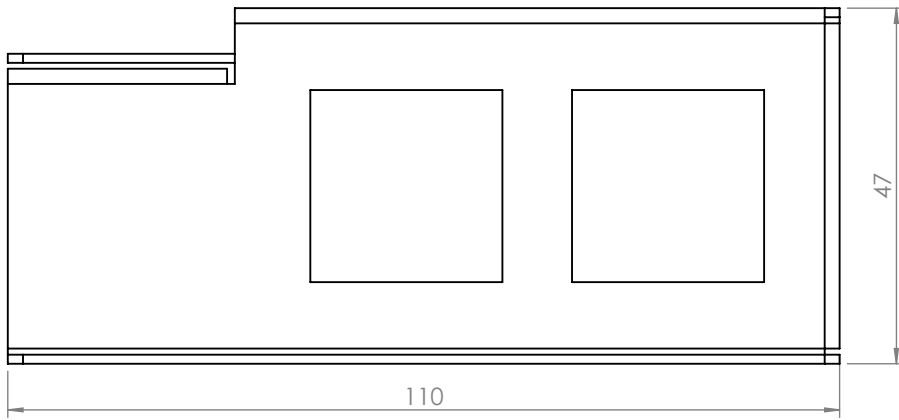


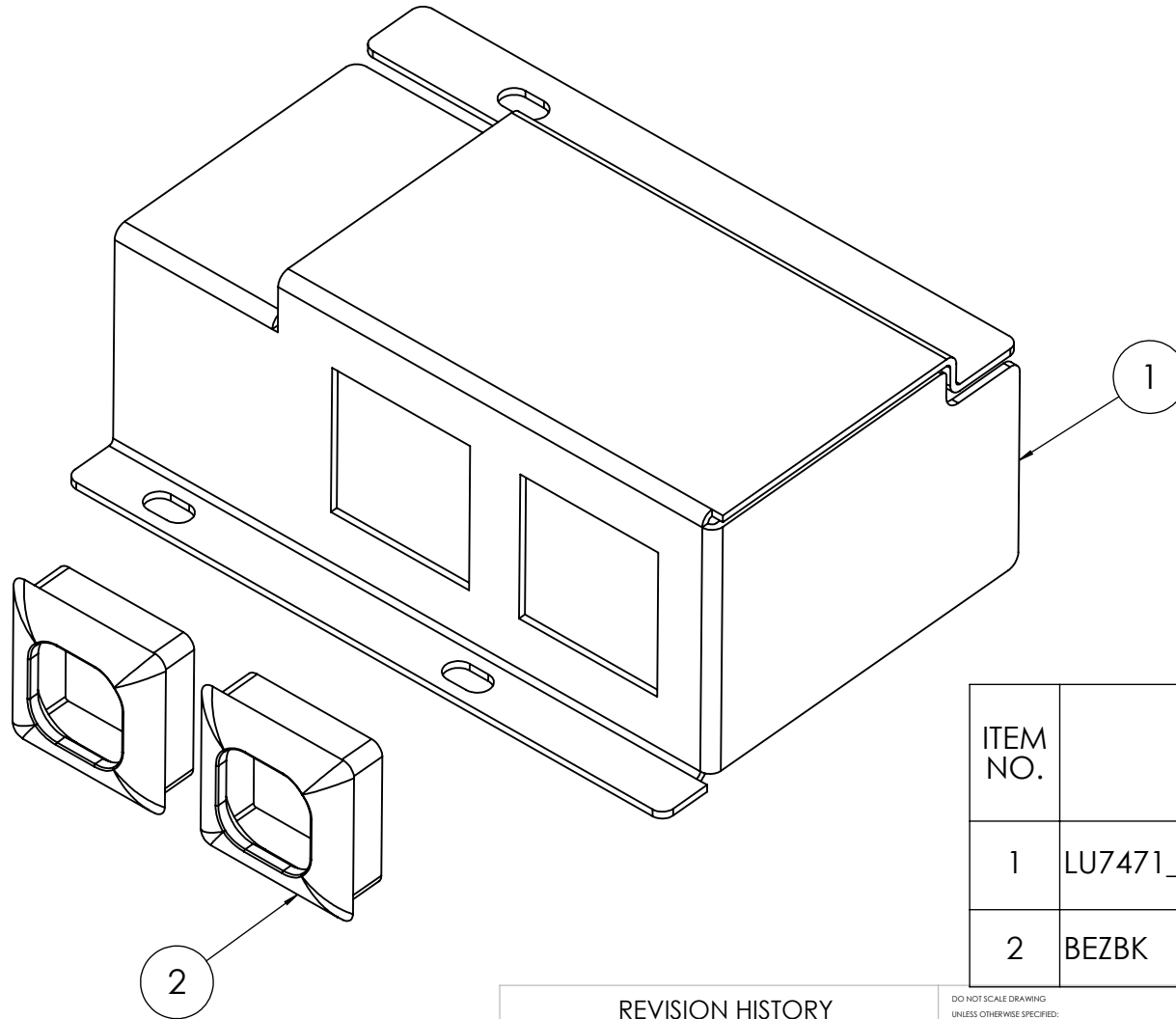
REVISION HISTORY		DO NOT SCALE DRAWING UNLESS OTHERWISE SPECIFIED: DIMENSIONS ARE IN MILLIMETERS		DO NOT SCALE DRAWING		REVISION	
DATE	MODIFICATIONS	TOLERANCES		1			
22/10/14	ISSUED FOR MANUFACTURING	0.00 ± 0.02 ANGULAR ± 0.5° 0.0 ± 0.1 0 ± 0.5					
		DIMENSIONS IN AN OBBROUND ARE CRITICAL & MUST BE CHECKED					
		THE MATERIAL CONTAINED HEREIN IS THE SOLE PROPERTY OF CMS ELECTRACOM. ANY UNAUTHORIZED REPRODUCTIONS, MODIFICATIONS AND / OR DISTRIBUTION IS STRICTLY PROHIBITED.		TITLE:			
		NAME		Dual data plate for FB2060 floor box			
		DATE					
		LL		22/10/14			
		MATERIAL: 1.2mm Steel		DWG NO. LU7471		CHECKED BY	
		FINISH: Powder coat Dulux black satin		PART NO. X		CUSTOMER APPROVAL	
		FILE ON SHARED\CAD: H:\Melbourne\CAD\Current Production Drawings		SCALE NTS		SHEET 1 OF 3	
		FILE ON NAS: Z:\Work files\Floor boxes\FB\FB 60mm\Small\Plates		A4			




TAC WELD INSIDE

REVISION HISTORY		DO NOT SCALE DRAWING UNLESS OTHERWISE SPECIFIED: DIMENSIONS ARE IN MILLIMETERS		DO NOT SCALE DRAWING		REVISION	
DATE	MODIFICATIONS	TOLERANCES				1	
22/10/14	ISSUED FOR MANUFACTURING	0.00 ±0.02 0.0 ±0.1 0 ±0.5		ANGULAR: ±0.5°			
		DIMENSIONS IN AN OBBROUND ARE CRITICAL & MUST BE CHECKED					
		THE MATERIAL CONTAINED HEREIN IS THE SOLE PROPERTY OF CMS ELECTRACOM. ANY UNAUTHORIZED REPRODUCTIONS, MODIFICATIONS AND / OR DISTRIBUTION IS STRICTLY PROHIBITED.		TITLE:			
		NAME	DATE	Dual data plate for FB2060 floor box			
		LL	22/10/14				
		MATERIAL:	1.2mm Steel	DWG NO.	LU7471	CHECKED BY	
		FINISH:	Powder coat Dulux black satin	PART NO.	X	CUSTOMER APPROVAL	A4
		FILE ON SHARED\CAD:	H:\Melbourne\CAD\Current Production Drawings	SCALE	NTS	SHEET	2 OF 3
		FILE ON NAS:	Z:\Work files\Floor boxes\FB\FB 60mm\Small\Plates				





ITEM NO.	PART NUMBER	QTY.
1	LU7471_V1_Dual data plate for FB2060 floor box	1
2	BEZBK	2

REVISION HISTORY		DO NOT SCALE DRAWING		REVISION 1	
DATE	MODIFICATIONS				
22/10/14	ISSUED FOR MANUFACTURING				
DO NOT SCALE DRAWING UNLESS OTHERWISE SPECIFIED: DIMENSIONS ARE IN MILLIMETERS TOLERANCES 0.00 ±0.02 ANGULAR ± 0.5° 0.0 ±0.1 0 ±0.5 DIMENSIONS IN AN OBRROUND ARE CRITICAL & MUST BE CHECKED		TITLE: Dual data plate for FB2060 floor box			
THE MATERIAL CONTAINED HEREIN IS THE SOLE PROPERTY OF CMS ELECTRACOM. ANY UNAUTHORIZED REPRODUCTIONS, MODIFICATIONS AND / OR DISTRIBUTION IS STRICTLY PROHIBITED.					
NAME		DATE		DWG NO.	
LL		22/10/14		LU7471	
MATERIAL: 1.2mm Steel		CHECKED BY		A4	
FINISH: Powder coat Dulux black satin		CUSTOMER APPROVAL		SCALE	
FILE ON SHARED\CAD:		H:\Melbourne\CAD\Current Production Drawings		X	
FILE ON NAS:		Z:\Work files\Floor boxes\FB\FB 60mm\Small\Plates		NTS	
		SHEET		3 OF 3	