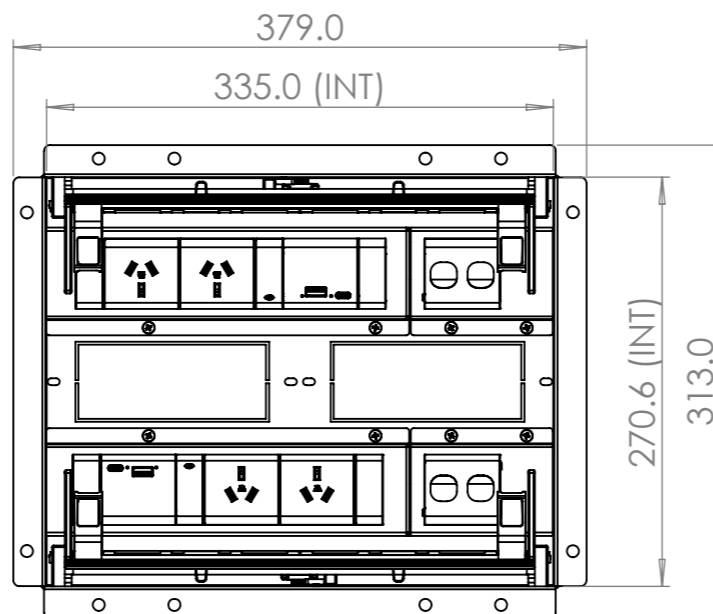
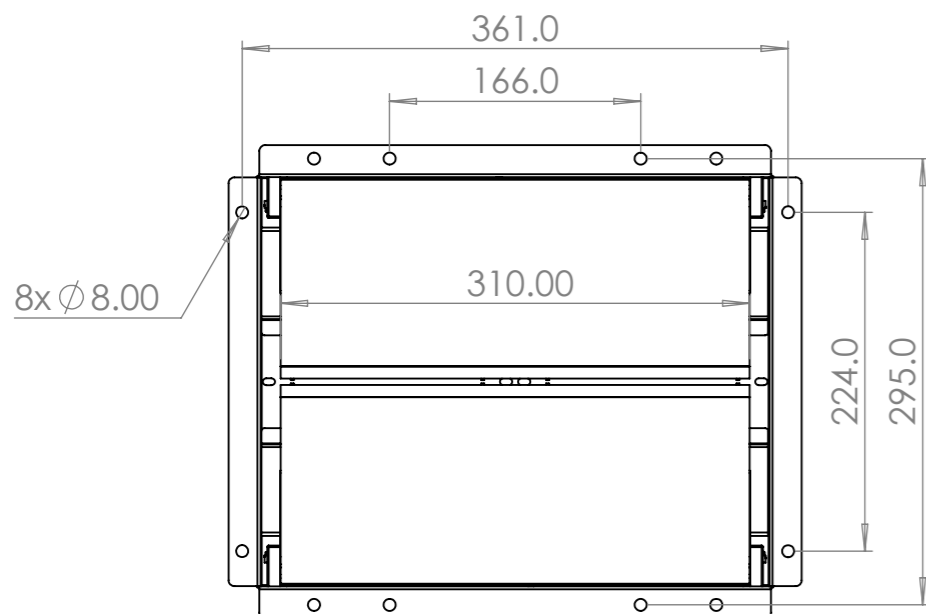
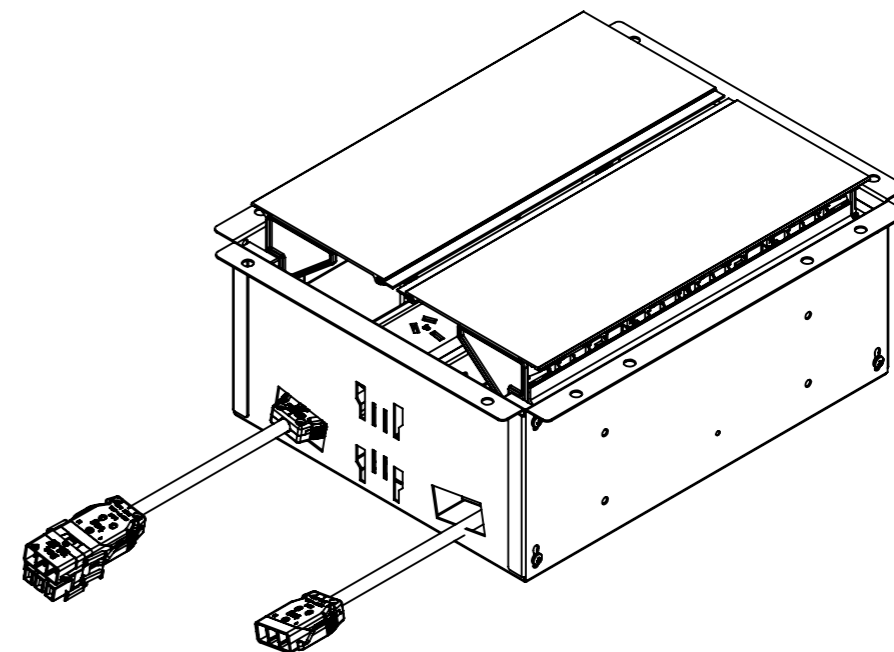
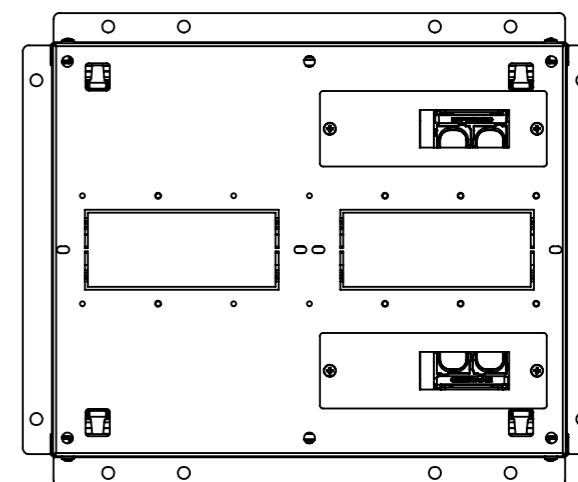


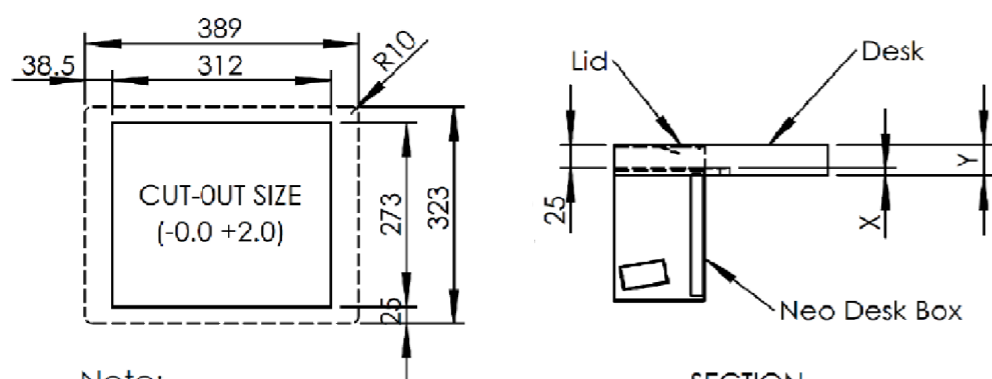
SECTION A-A  
SCALE 1 : 5



TOP VIEW - NO LID



BOTTOM VIEW



SECTION

Note:  
Dashed line shows Rebate Perimeter  
(Only needed when Desk thickness is  
greater than 25mm.)  
For Rebate Depth:  
Desk Thickness(Y) - 25mm = Rebate(X)

**PART NUMBER: NE204UAC304**

REV	DESCRIPTION	DATE	DRWN	APPV
4	CHANGED LID SCREWS TO TORX SCREWS	17/06/2024	GC	AP
3	UPDATED LABELS	8/02/2024	GC	AP
2	CHANGED M4x6 CSK SCREW TO DIN STANDARD/CHANGED BRUSH STRIP FROM 10mm TO 13mm/UPDATED BOM/ADDED REBATE DETAILS	29/06/2023	GC	AP
1	RELEASED FOR PRODUCTION	25/08/2022	AB	AP
REV	DESCRIPTION	DATE	DRWN	APPV

<b>CUSTOMER SIGNATURE:</b>	<b>TOLERANCES UNLESS OTHERWISE STATED:</b>  X ±0.5 X.X ±0.2 X.XX ±0.1 X.XXX ±0.05 ANG ±0.5°
<b>MATERIAL:</b> PLASTIC / MS / AL	
<b>FINISH:</b> FINE EDM / P.C / ANODISED	
<b>COLOUR:</b> BLACK / SATIN BLACK / SILVER	
<small>THIS DRAWING &amp; ASSOCIATED CAD FILES ARE ISSUED IN THE STRICTEST CONFIDENCE AND ARE ONLY TO BE USED IN THE COMMERCIAL INTERESTS OF CMS ELECTRACOM PTY LTD</small>	

**DRAWN IN mm TO AS1100 DO NOT SCALE**



**TITLE:**  
NE204UAC304 NEO DLB 4 GPO + 2  
USB AC + 4 DATA

<b>DRAWING:</b> LU41159	<b>REV:</b> 4	<b>A3</b>
SCALE 1:4	SHEET 1 OF 1	