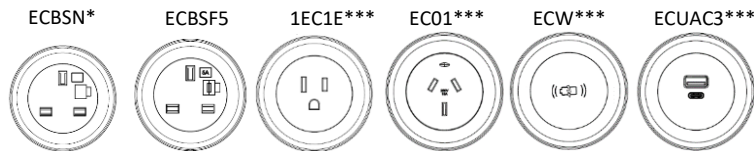


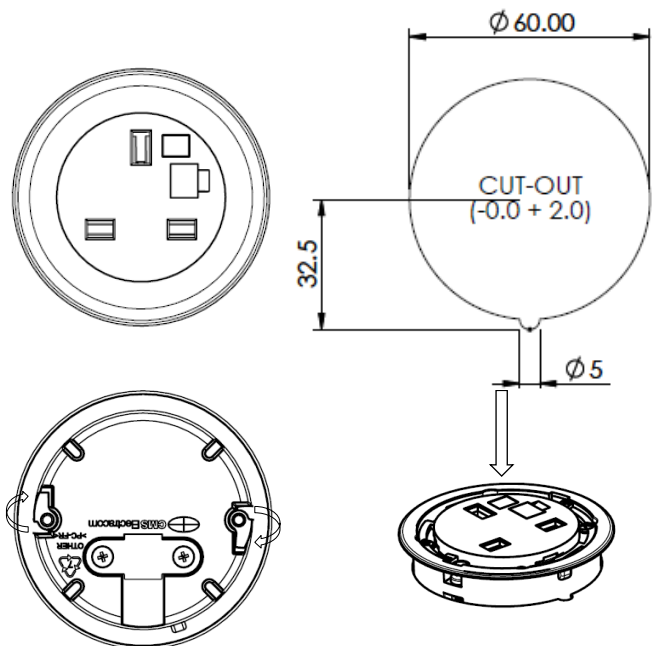
ECHO SINGLE INDESK UNIT



Installation Instructions

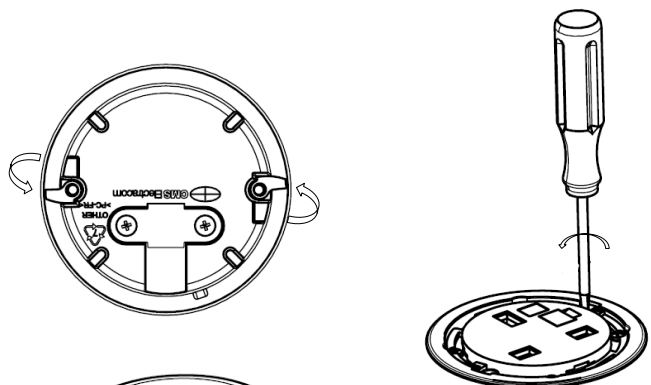
STEP 1 - CUT OUT

Determine desired orientation of product and cut hole into desktop or joinery. The notch will be parallel to the GPO in horizontal position. REFFER TO DRAWING.



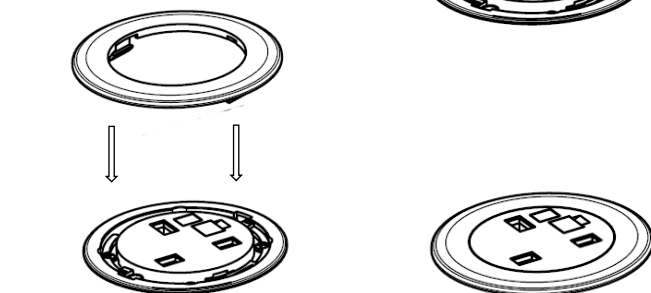
STEP 2 - INSERT UNIT INTO CUTOUT

Fold clamps into provision within housing. Align dimple on housing with notch in the cut out and insert housing into desk.



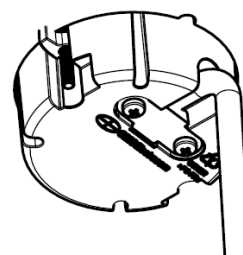
STEP 3 - TIGHTEN SCREWS

Screw through the plastic housing and clamps so that they rotate out of the housing. Tighten screws until the assembly clamps down and is secure. The clamps will grip into underside of desk. DO NOT OVER TIGHTEN - TIGHTEN BY HAND ONLY.



STEP 4 - CLIP ON COVER

Align guide and clips on the underside of the cover with provisions in housing. Secure the top cover and push down above where the clips are positioned.



STEP 5 - POWER DEVICE

Plug unit into power source.