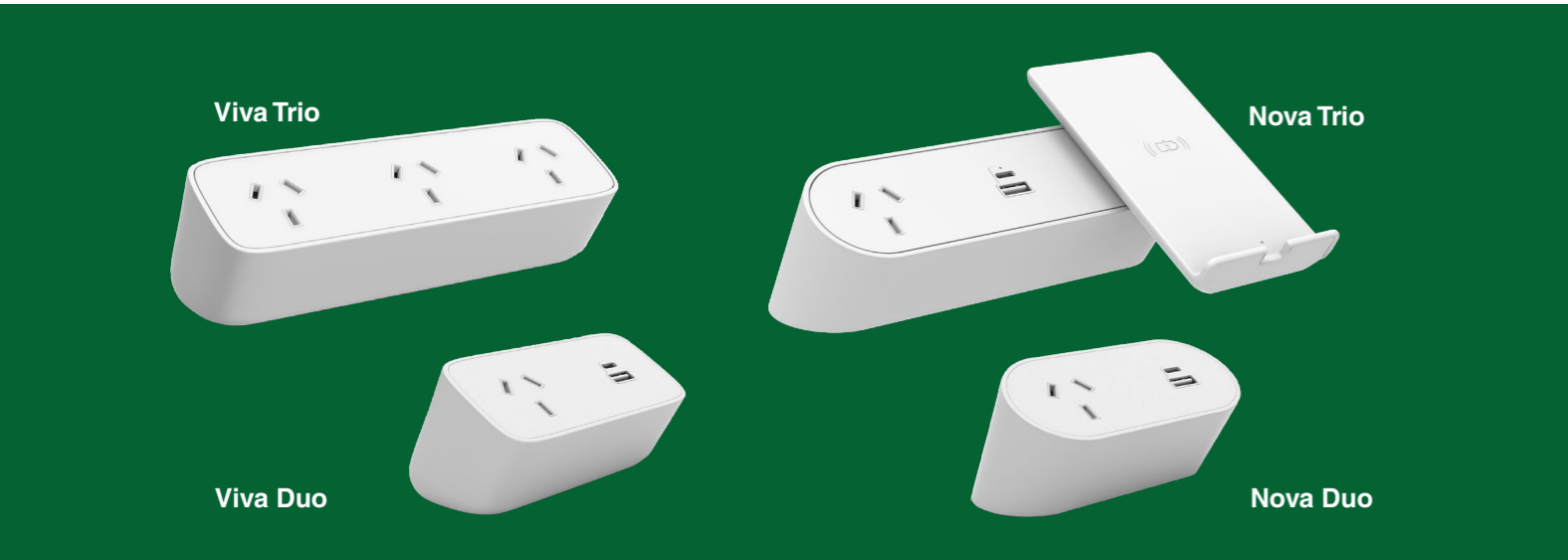


NOVA & VIVA

Above & Below Desk Power Rail Series





NOVA & VIVA

Above & Below Desk Power Rail Series

CMS Nova and Viva began as a blank sheet design, a passion project to re-invent personal access to power and technology above and below the desk.

Nova & Viva starts with a one-piece moulded design, with complimentary finishing touches including deep perspex gloss and textured-matte finished fascias, and versatile styling for the body, including optional soft-touch fabric to present even more options to deliver contrast or concealment within the application space.

Standard Colours Available

- White/Gloss
- Black/Gloss
- White/Matte
- Black/Matte

Key Features

Minimalist Design

- Sleek and Elegant Finish
- Blend your power rail with the environment through Fabric Wrap options

Duo & Trio

- Like our popular Echo family, Nova & Viva is currently available in Duo & Trio.

Worldwide Power

- Australia, USA, UK and Germany socket compatibility.

USB-C Fast Charging

- Ultra-fast USB-C PD fast charging outlets of up to 140W.
- Additional USB-A fast charging port for secondary devices.

Exterior Finishes

- Standard colours black and white with a Perspex/Matte like finish on the fascia.
- Nova Rails can be wrapped in fabric (Optional)

Works Around You

- Above-desk and below-desk mounting brackets available as standard.
- Everything you need at your fingertips, nothing you don't.

Product Details

Nova Duo Power Only

NDSAAT10D**	2x GPO, 1000mm Tag Lead With L3D Splitter	NDSAAI15**	2x GPO, 1500mm Lead With 3-Pin Plug
NDZAAT10D**	2x GPO, 1000mm TAG Lead With L3D Splitter - Under-Desk Mounting		

Nova Duo Power + USB Charging

NDSAUT10D**	1x GPO, USB A/C PD Fast-Charge Module (30W Shared), 1000mm Tag Lead With L3D Splitter	NDSAU15**	1x GPO, USB A/C PD Fast-Charge Module (30W Shared), 1500mm Lead With 3-Pin Plug
NDZAUT10D**	1x GPO, USB A/C PD Fast-Charge Module (30W Shared), 1000mm TAG Lead With L3D Splitter - Under-Desk Mounting		

Nova Duo USB Charging + Wireless Charging

NDSVPT10D**	1x USB A/C 118W Charger, 1x Helistand 15W Wireless Charger, 1000mm TAG Lead with L3D Splitter
--------------------	---

Nova Trio Power Only

NTSAAAT10D**	3x GPO, 1000mm TAG Lead With L3D Splitter	NTSAAAI15D**	3x GPO, 1500mm lead With 3-Pin Plug
---------------------	---	---------------------	-------------------------------------

Nova Trio Power + USB Charging

NTSAUT10D**	2x GPO, USB A/C PD Fast-Charge Module (30W Shared), 1000mm TAG Lead With L3D Splitter	NTSAUAI15D**	2x GPO, USB A/C PD Fast-Charge Module (30w Shared) 1500mm Lead With 3-Pin Plug
NTSAWAT10D**	2x GPO, USB A/C PD Fast-Charge Module (65w Shared), 1000mm Tag Lead With L3D Splitter	NTSAWAI15D**	2x GPO, USB A/C PD Fast-Charge Module (65w Shared), 1500mm Lead With 3-Pin Plug

Nova Trio Power + USB Charging + Wireless Charging

NTSAWPT10D**	1x AU GPO, 1x USB C/A [65W shared], 1x Helistand, 1000mm Tag Plug Lead, L3D
---------------------	---

Viva Duo Power Only

VDSAAT10D**	2x GPO, 1000mm TAG Lead With L3D Splitter	VDSAAI15**	2x GPO, 1500mm Lead With 3-Pin Plug
VDZAAT10D**	2x GPO, 1000mm TAG Lead With L3D Splitter - Under-Desk Mounting		

Viva Duo Power + USB Charging

VDSAUT10D**	1x GPO, USB A/C PD Fast-Charge Module (30W Shared) 1000mm TAG Lead With L3D Splitter	VDSAU15**	1x GPO, USB A/C PD Fast-Charge Module (30W Shared), 1500mm Lead With 3-Pin Plug
VDZAUT10D**	1x GPO, USB A/C PD Fast-Charge Module (30W Shared), 1000mm TAG Lead With L3D Splitter - Under-Desk Mounting		

Viva Duo USB Charging + Wireless Charging

VDSVPT10D**	USB A/C 118W Charger, Helistand 15W Wireless Charger, 1000mm TAG Lead with L3D Splitter		
--------------------	---	--	--

Viva Trio Power Only

VTSAAT10D**	3x GPO, 1000mm TAG Lead With L3D Splitter	VTSAAI15**	3x GPO, 1500mm Lead With 3-Pin Plug
--------------------	---	-------------------	-------------------------------------

Viva Trio Power + USB Charging

VTSAUT10D**	2x GPO, USB A/C PD Fast-Charge Module (30W Shared), 1000mm TAG Lead With L3D Splitter	VTSAUI15D**	2x GPO, USB A/C PD Fast-Charge Module (30W Shared), 1500mm Lead With 3-Pin Plug
VTSAWAT10D**	2x GPO, USB A/C PD Fast-Charge Module (65W Shared), 1000mm TAG Lead With L3D Splitter	VTSAWI15D**	2x GPO, USB A/C PD Fast-Charge Module (65W Shared), 1500mm Lead With 3-Pin Plug

Viva Trio Power + USB Charging + Wireless Charging

VTSAWPT10D**	1x GPO, 1x USB C/A [65W shared], 1x Helistand, 1000mm Tag Plug Lead, L3D		
---------------------	--	--	--

Nova Duo With Fabric

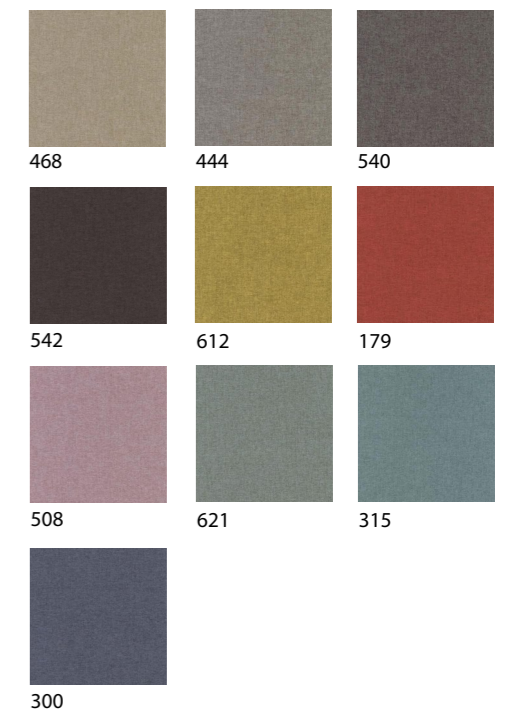
NDSAAT10DW1*	2x GPO, 1000mm TAG lead with L3D splitter White Gloss Fascia	NDSAUT10DW1*	1x GPO, USB A/C PD Fast-Charge Module (30W Shared), 1000mm TAG Lead With L3D Splitter, White Gloss Fascia with Fabric Wrap
NDSAAT10DB3*	2x GPO, 1000mm TAG Lead With L3D Splitter Black Gloss Fascia	NDSAUT10DB3*	1 GPO, USB A/C PD Fast-Charge Module (30W Shared), 1000mm TAG Lead With L3D Splitter Black Gloss Fascia with Fabric Wrap

Nova Trio With Fabric

NTSAUT10DW1*	2x GPO, USB A/C PD Fast-Charge Module (30W Shared), 1000mm TAG Lead With L3D Splitter - White Gloss Fascia With Fabric Wrap	NTSAUT10DB3*	2x GPO, USB A/C PD Fast-Charge Module (30W Shared), 1000mm TAG lead with L3D Splitter - Black Gloss Fascia With Fabric Wrap
---------------------	---	---------------------	---

Fabric Finish for Nova/Viva

Fabric Code	Part Code Preference	Lead Time
468	A - Vanilla	STOCKED
444	B - Smoke	STOCKED
540	C - Iron (formerly known as "Charcoal")	STOCKED
542	D - Charcoal (formerly known as "Black")	STOCKED
612	E - Citrus	CONTACT SALES FOR DETAILS
179	F - Papaya	CONTACT SALES FOR DETAILS
508	G - Blossom	CONTACT SALES FOR DETAILS
621	H - Foam	CONTACT SALES FORDETAILS
315	I - Aqua	CONTACT SALES FOR DETAILS
300	J - Marine	CONTACT SALES FOR DETAILS



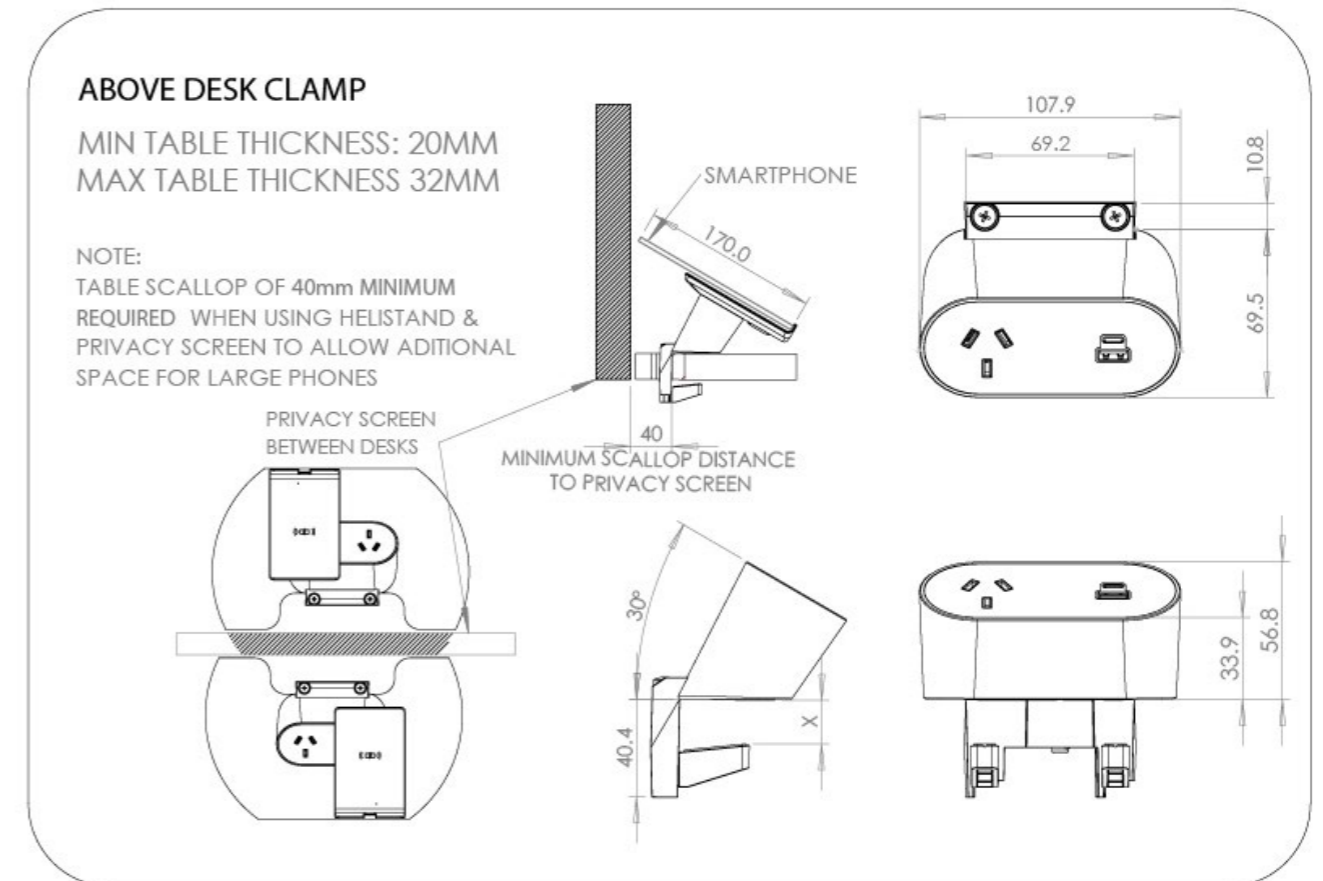
Notes:

- Fabric code 540 is now referred to as Iron formerly known as Charcoal
- Fabric code 542 is now referred to as Charcoal formerly known as Black
- Fabric Codes to be added at the end of the code.



Inclusion of Helistand Wireless Charger

The below diagram relates to the above desk clamp version for our Nova & Viva power rails that include a Helistand Wireless Charger. When installing the power rail on a desk with a panel, please ensure a table scallop of at least 40mm is taken into account to allow additional space for larger phones to charge.



Notes:

- Above-desk and below-desk mounting brackets available as standard. Please note NDS and VDS indicates Standard Clamp option. For Under-desk bracket option, please use NDZ and VDZ.
- ** Denotes Colour Configurations:
 - WT1 White Gloss Fascia, White Components;
 - WT2 White Matte Fascia, White Components;
 - BK3 Black Gloss Fascia, Black Components
 - BK4 Black Matte Fascia, Black Components;
- Please call for alternative colours & configurations.
- USB Chargers are for use with IT/AV equipment only.
- Use of cleaning agents: Please ensure cleaning agents are compatible for use on moulded polycarbonate surfaces. Should any sign of degradation, cracking or discolouration be present or occur, immediately discontinue the use of the cleaning agent.
- All Nova & Viva Power Rails are Custom Made and Lead Times Apply.
- Avoid phone cases with a metal strip when charging your phone wirelessly as the metal strip can cause damage to your phone or the wireless charging unit.
- Our wireless chargers are for mobile phones only, other accessories including airpods & watches may not be supported.
- Table Scallop for Helistand Options: Table Scallop of 40mm Minimum Required when using Helistand & Privacy Screen to allow additional space for large phones.

Disclaimer: CMS has made every attempt to ensure the accuracy and reliability of the information provided in this document are correct. All information contained in this document is to be used for general guidance only. CMS reserves the right to change, delete or modify the information without notice. 1024
© CMS Electracom 2024