
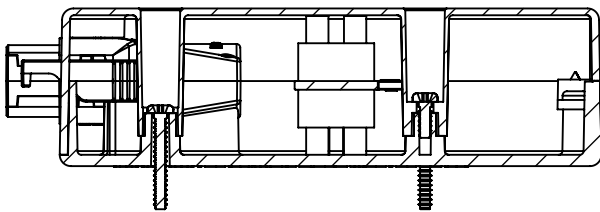
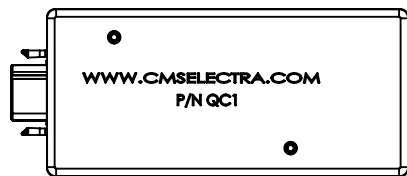
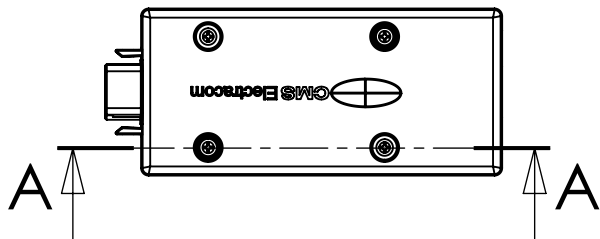
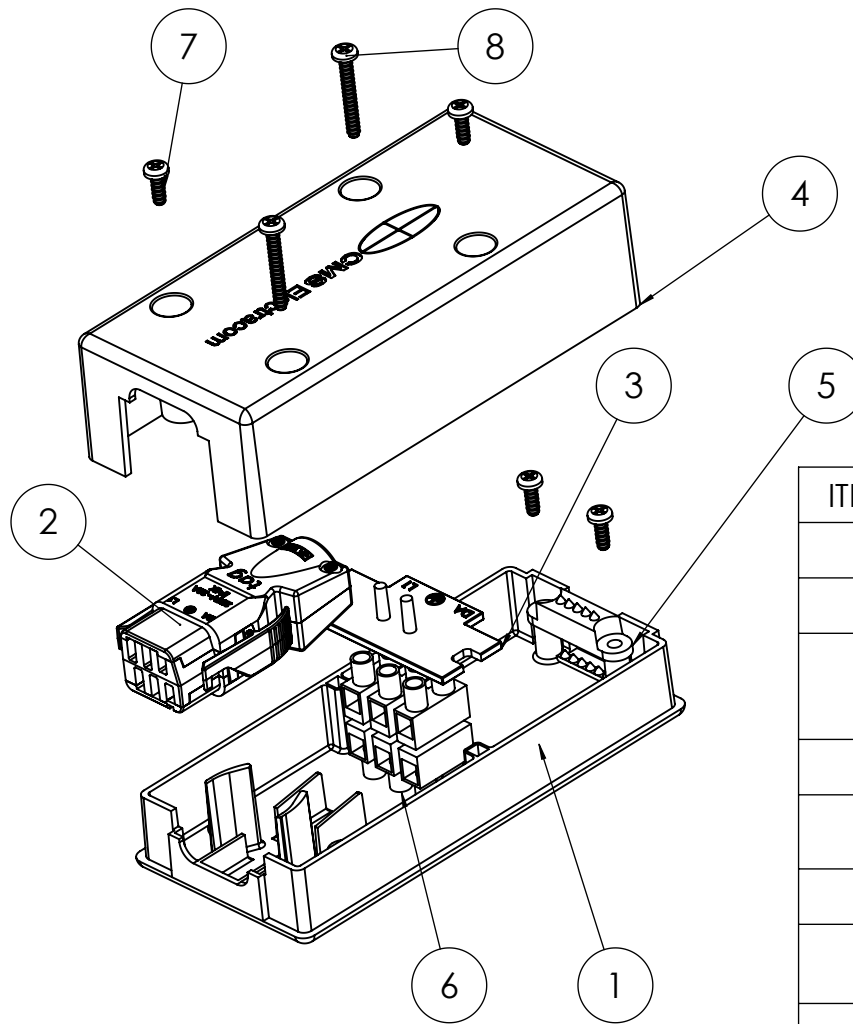


REVISION HISTORY		UNLESS OTHERWISE SPECIFIED: DIMENSIONS ARE IN MILLIMETERS		DO NOT SCALE DRAWING	REVISION	8
DATE	MODIFICATIONS	TOLERANCES				
03/08/13	ISSUED FOR EVALUATION	0.00 ± 0.02	ANGULAR ± 0.5°			
04/09/13	MODIFIED SEVERAL COMPONENTS	0.0 ± 0.1		TITLE:		
16/09/13	MODIFIED SEVERAL COMPONENTS	0 ± 0.5				
18/10/13	MODIFIED CLIPS	DIMENSIONS IN AN OBOUND ARE CRITICAL & MUST BE CHECKED		6 pole starter		
29/11/13	MODIFIED EVERYTHING	THE MATERIAL CONTAINED HEREIN IS THE SOLE PROPERTY OF CMS ELECTRACOM. ANY UNAUTHORIZED REPRODUCTIONS, MODIFICATIONS AND / OR DISTRIBUTION IS STRICTLY PROHIBITED.				
26/02/14	MODIFIED BASE & INSERT	NAME	DATE	DWG NO. LU-5394		
01/05/14	MODIFIED BASE, COVER, TERMINAL BLOCKS	LUCKY	01/05/14			
15/07/16	ADDED WIRING SPECIFICATION	MATERIAL: X		DRAWN BY		A4
		FINISH: X		X		
		FILE ON SHARED\CAD: H:\Melbourne\CAD\Current Production Drawings		PART NO. X		
		FILE ON NAS: Z:\Work files\6 Pole		X		
				SCALE	NTS	SHEET 1 OF 3




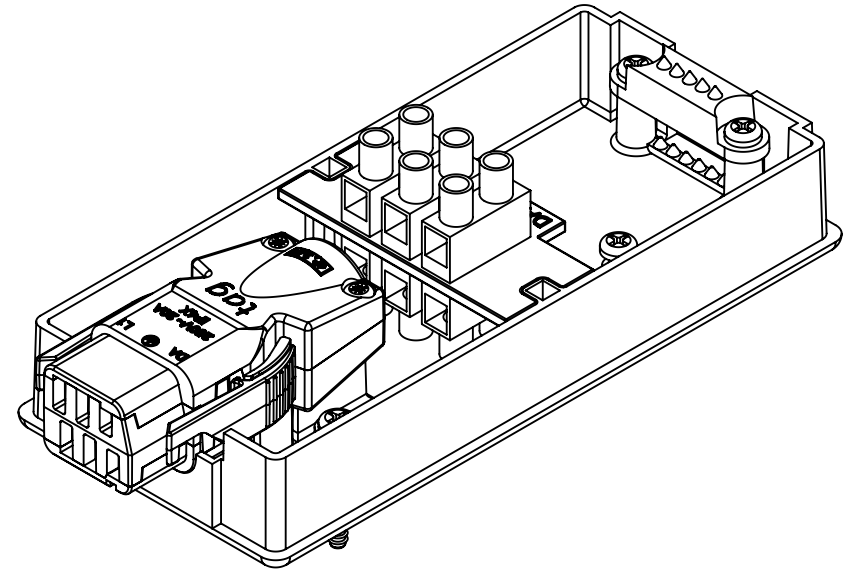
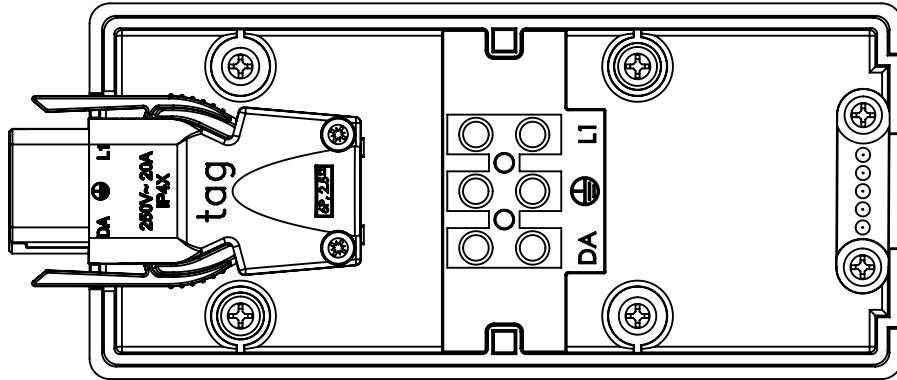
SECTION A-A
SCALE 1 : 2

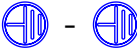




ITEM NO.	PART NUMBER	QTY.
1	LU5395_V7_CF1 base	1
2	C6.2	1
3	LU5653_V3_CF1 terminal block retainer	1
4	LU5396_V6_CF1 cover	1
5	LU5398_V2_QC1 cable retainer	1
6	4mm terminal block	2
7	8G x 3/8" pan head screw	4
8	6G x 1" pan head self tapping screw	2

REVISION HISTORY		UNLESS OTHERWISE SPECIFIED: DIMENSIONS ARE IN MILLIMETERS	
DATE	MODIFICATIONS	TOLERANCES	
03/08/13	ISSUED FOR EVALUATION	0.00 ± 0.02	ANGULAR ± 0.5°
04/09/13	MODIFIED SEVERAL COMPONENTS	0.0 ± 0.1	
16/09/13	MODIFIED SEVERAL COMPONENTS	0 ± 0.5	
18/10/13	MODIFIED CLIPS	DIMENSIONS IN AN OBOUND ARE CRITICAL & MUST BE CHECKED	
29/11/13	MODIFIED EVERYTHING	THE MATERIAL CONTAINED HEREIN IS THE SOLE PROPERTY OF CMS ELECTRACOM. ANY UNAUTHORIZED REPRODUCTIONS, MODIFICATIONS AND / OR DISTRIBUTION IS STRICTLY PROHIBITED.	
26/02/14	MODIFIED BASE & INSERT	NAME	DATE
01/05/14	MODIFIED BASE, COVER, TERMINAL BLOCKS	LUCKY	01/05/14
15/07/16	ADDED WIRING SPECIFICATION	MATERIAL:	X
		FINISH:	X
		FILE ON SHARED\CAD:	
		H:\Melbourne\CAD\Current Production Drawings	
		FILE ON NAS:	
		Z:\Work files\6 Pole	

DO NOT SCALE DRAWING		REVISION 8	
			
TITLE: 6 pole starter			
DWG NO.	LU-5394	DRAWN BY	X
PART NO.	X	CHECKED BY	X
SCALE	NTS	SHEET	1 OF 3
			A4



CONNECTIONS from TAG to terminal block	CMS Approved 6-core cable, CABLE DIAMETER	CABLE COLOUR
L1 - L1	2.5mm	BROWN
 - 	2.5mm	GREEN/YELLOW
N - N	2.5mm	LIGHT BLUE
L2 - L2	2.5mm	WHITE
DA - DA	1.5mm	ORANGE
DA - DA	1.5mm	GREY

REVISION HISTORY		UNLESS OTHERWISE SPECIFIED: DIMENSIONS ARE IN MILLIMETERS TOLERANCES		DO NOT SCALE DRAWING	REVISION	8
DATE	MODIFICATIONS	0.00 ±0.02	ANGULAR ±0.5°	 CMS Electracom TITLE: <h2 style="text-align: center;">6 pole starter</h2>		
03/08/13	ISSUED FOR EVALUATION	0.0 ±0.1				
04/09/13	MODIFIED SEVERAL COMPONENTS	0 ±0.5				
16/09/13	MODIFIED SEVERAL COMPONENTS	DIMENSIONS IN AN OBROUND ARE CRITICAL & MUST BE CHECKED				
18/10/13	MODIFIED CLIPS	THE MATERIAL CONTAINED HEREIN IS THE SOLE PROPERTY OF CMS ELECTRACOM. ANY UNAUTHORIZED REPRODUCTIONS, MODIFICATIONS AND / OR DISTRIBUTION IS STRICTLY PROHIBITED.				
29/11/13	MODIFIED EVERYTHING	NAME	DATE			
26/02/14	MODIFIED BASE & INSERT	LUCKY	01/05/14			
01/05/14	MODIFIED BASE, COVER, TERMINAL BLOCKS	MATERIAL:	X			
15/07/16	ADDED WIRING SPECIFICATION	FINISH:	X			
		FILE ON SHARED\CAD:				
		H:\Melbourne\CAD\Current Production Drawings				
		FILE ON NAS:				
		Z:\Work files\6 Pole				
DWG NO.	LU-5394	DRAWN BY	X	A4		
PART NO.	X	CHECKED BY	X			
SCALE	NTS	SHEET	1 OF 3			