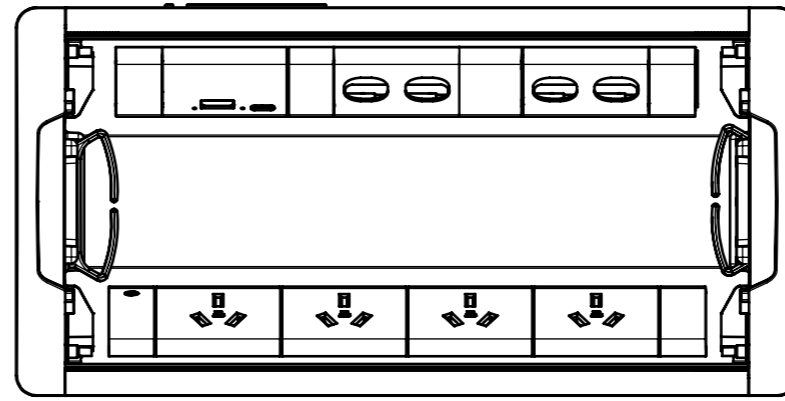
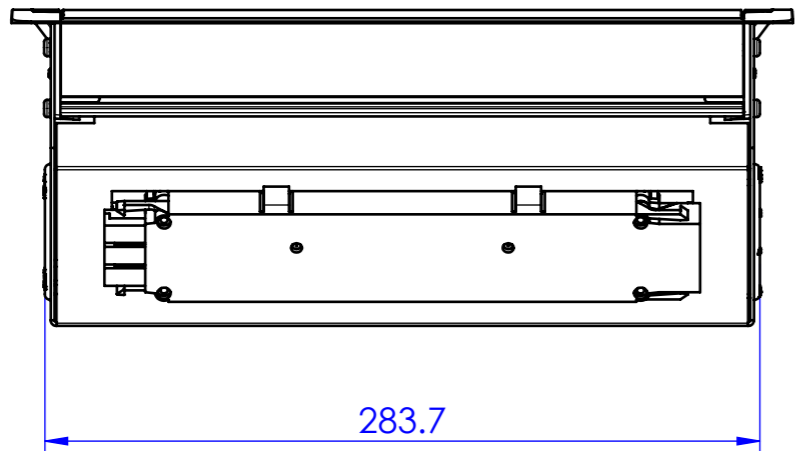


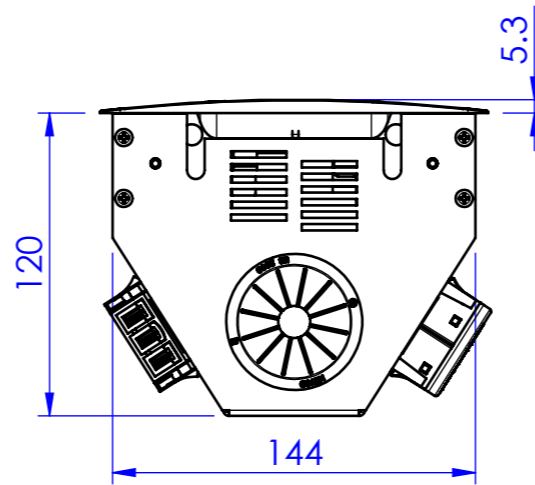
TOP



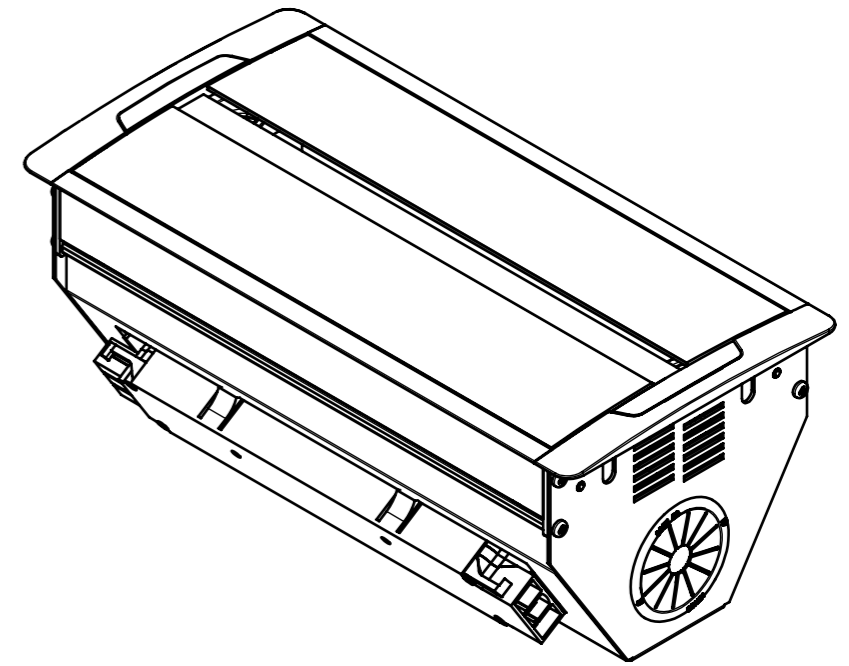
TOP NO LID



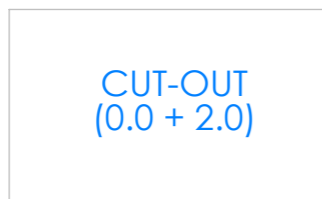
FRONT



SIDE



295



CUT-OUT
(0.0 + 2.0)

148

CUSTOMER SIGNATURE:	TOLERANCES UNLESS OTHERWISE STATED: X ±0.5 X.X ±0.2 X.XX ±0.1 X.XXX ±0.05 ANG ±0.5°
MATERIAL: POLYCARBONATE / ALUMINIUM	
FINISH: FINE EDM / ANODISED	
COLOUR: VARIOUS / SILVER	

TOLERANCES UNLESS OTHERWISE STATED:

X ±0.5
X.X ±0.2
X.XX ±0.1
X.XXX ±0.05
ANG ±0.5°



CMS Electracom COPYRIGHT © 2015

TITLE:

**ACCEDE DUAL LID WITH 4 X GPO
+ 1 SW18UAC3 + 4 DATA**

DRAWING:

LU36701

REV:

1

A3

SCALE 1:3

SHEET 1 OF 2

1	RELEASED FOR QUOTATION - NOT FOR PRODUCTION	26/8/2020	JB	RG
REV	DESCRIPTION	DATE	DRWN	APPV
REVISIONS				

THIS DRAWING & ASSOCIATED CAD FILES ARE ISSUED IN THE STRICTEST CONFIDENCE AND ARE ONLY TO BE USED IN THE COMMERCIAL INTERESTS OF CMS ELECTRACOM PTY LTD

DRAWN IN mm TO AS1100 DO NOT SCALE

