

CUSTOMER SIGNATURE:	TOLERANCES UNLESS OTHERWISE STATED: X ±0.5 X.X ±0.2 X.XX ±0.1 X.XXX ±0.05 ANG ±0.5°
MATERIAL: PLASTIC / MS	
FINISH: PLASTIC / POWDERCOATED	
COLOUR: BLACK SATIN	

CMS Electracom COPYRIGHT © 2020

TITLE: CENTURY CT04UC + FT3LIDSC

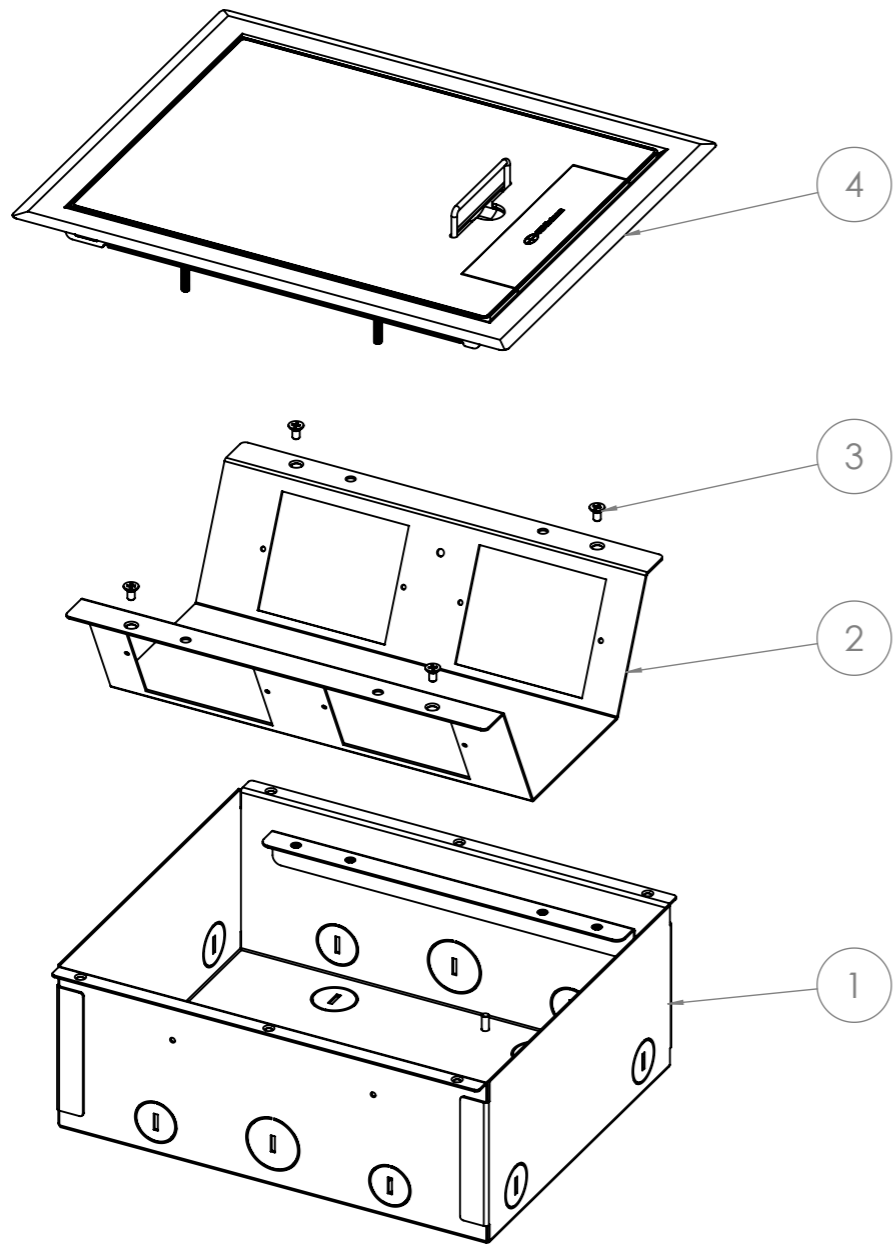
DRAWING: LU48976 **REV:** 1 **A3**

THIS DRAWING & ASSOCIATED CAD FILES ARE ISSUED IN THE STRICTEST CONFIDENCE AND ARE ONLY TO BE USED IN THE COMMERCIAL INTERESTS OF CMS ELECTRACOM PTY LTD


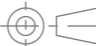
DRAWN IN mm TO AS1100 DO NOT SCALE

SCALE 1:4 SHEET 1 OF 2

1	RELEASED FOR PRODUCTION	13/08/2025	SP	AP
REV	DESCRIPTION	DATE	DRWN	APPV
REVISIONS				



ITEM NO.	Part No	DESCRIPTION	QTY.
1	LU36702	FB3 EXTENDED FLANGE UNDERCARRIAGE TO SUIT CLIPSAL PLATES	1
2	LU25538	FB PLATE TO SUIT 4 x CLIPSAL 2000 SERIES	1
3	7012410	M4 x 10 CSK Machine Screw	4
4	LU11744	LID+FRAME ASSY STAINLESS SOFT-CLOSE FB3	1

CUSTOMER SIGNATURE:	TOLERANCES UNLESS OTHERWISE STATED: X ±0.5 X.X ±0.2 X.XX ±0.1 X.XXX ±0.05 ANG ±0.5°	 CMS Electracom <small>COPYRIGHT © 2020</small>			
				TITLE: CENTURY CT04UC + FT3LIDSC	
MATERIAL: PLASTIC / MS	<small>DRAWN IN mm TO AS1100 DO NOT SCALE</small> 	DRAWING: LU48976		REV: 1	A3
FINISH: PLASTIC / POWDERCOATED		SCALE 1:4		SHEET 2 OF 2	
COLOUR: BLACK SATIN		<small>THIS DRAWING & ASSOCIATED CAD FILES ARE ISSUED IN THE STRICTEST CONFIDENCE AND ARE ONLY TO BE USED IN THE COMMERCIAL INTERESTS OF CMS ELECTRACOM PTY LTD</small>			