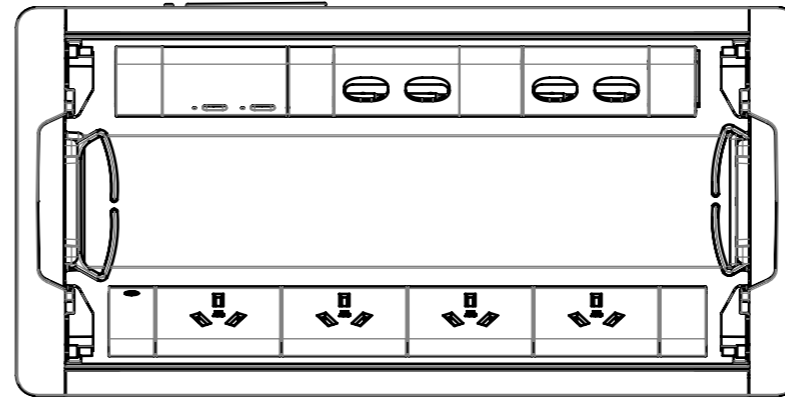
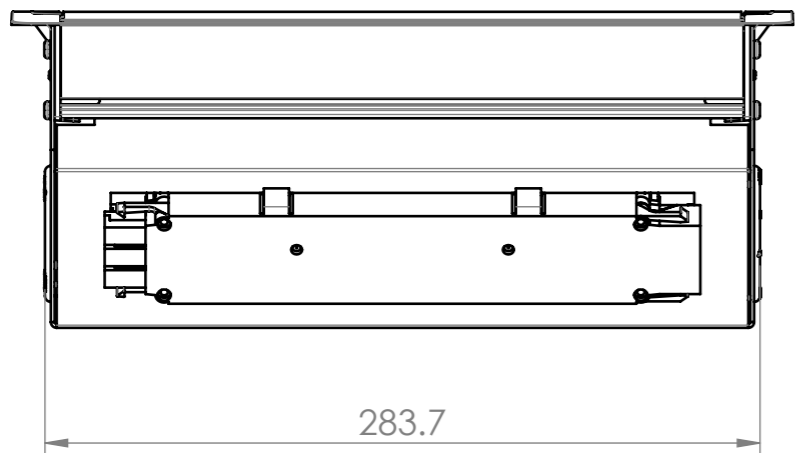


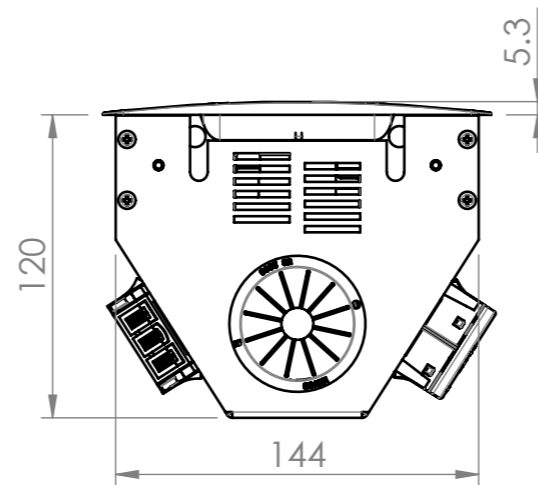
TOP



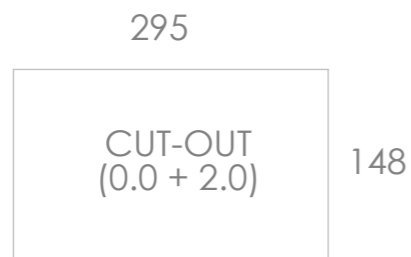
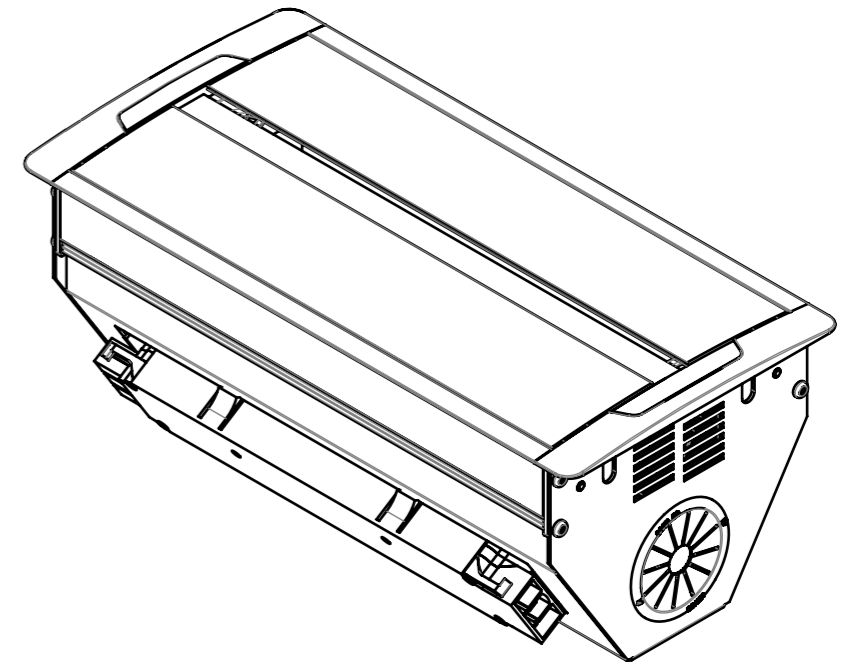
TOP NO LID



FRONT



SIDE



CUSTOMER SIGNATURE:	TOLERANCES UNLESS OTHERWISE STATED: X ±0.5 X.X ±0.2 X.XX ±0.1 X.XXX ±0.05 ANG ±0.5°
MATERIAL: POLYCARBONATE / ALUMINIUM	
FINISH: FINE EDM / ANODISED	
COLOUR: VARIOUS / SILVER	

THIS DRAWING & ASSOCIATED CAD FILES ARE ISSUED IN THE STRICTEST CONFIDENCE AND ARE ONLY TO BE USED IN THE COMMERCIAL INTERESTS OF CMS ELECTRACOM PTY LTD

DRAWN IN mm TO AS1100 DO NOT SCALE



TITLE:
ACCEDE DUAL LID WITH 4 X GPO + SW18UCC3 + 4 DATA

DRAWING: LU50226	REV: 1	A3
----------------------------	------------------	----

SCALE 1:3

SHEET 1 OF 2

1	RELEASED FOR PRODUCTION	27/1/2026	JB	RG
REV	DESCRIPTION	DATE	DRWN	APPV
REVISIONS				