

# FL Series

## 90mm Deep Floor Box

The CMS Apollo series floor box has been designed for maximum flexibility to suit client requirements, with standard off-the-shelf components catering for most applications. Incorporated in the stylish lid is an easy-grab lifting handle and cable exit cap, available in a range of options.

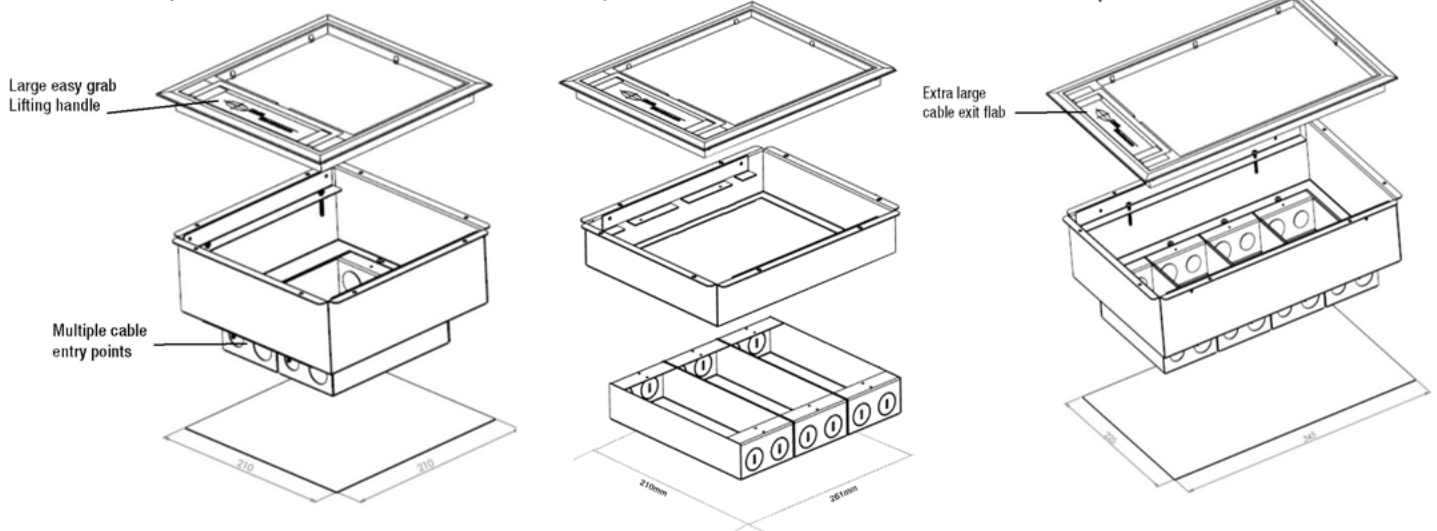
The box and mounting plate are constructed from powder coated steel producing a long lasting robust unit. Behind our communication mounting plates is a 50mm cavity catering for popular AV and communication requirements.



2 Compartment

3 Compartment

4 Compartment



### Key Features

- » Available in 2, 3 and 4 compartment sizes
- » Large cable exit flap
- » Easy-grab lifting handle
- » Multiple cable entry points
- » Increased capacity for AV & Data
- » 50mm deep data cable cavity

## Apollo FL Floor Boxes - Complete Series

2/3/4 Compartment Floor boxes, complete with lid, undercarriage and accessory plates

<b>FL2902P6D**</b>	<p><b>2-Compartment Floorbox</b> - Complete with Plastic Recessed Lid &amp; Accessory Undercarriage Box Cut-Out Size (210 x 210 x 90mm)</p> <p><i>Includes: 1x CL21206 (6x Data), 6x BPM (Blanking Plugs) + CL18261 (2 Auto Switched GPO's)"</i></p>
<b>FL2901S6D**</b>	<p><b>2-Compartment Floorbox</b> - Complete with Plastic Recessed Lid &amp; Accessory Undercarriage Box Cut-Out Size (210 x 210 x 90mm)</p> <p><i>Includes: 1x CL21206 (6x Data), 6x BPM (Blanking Plugs) + CLTAG-1 (Starter Socket)"</i></p>
<b>FL3901S2P6D**</b>	<p><b>3-Compartment Floorbox</b> - Complete with Plastic Recessed Lid &amp; Accessory Undercarriage Box Cut-Out Size (261 x 210 x 90mm)</p> <p><i>Includes: 1x CL21206 (6x Data), 6x BPM (Blanking Plugs) + CL18261 (2 Auto Switched GPO's) + CLTAG-1 (Starter Socket)"</i></p>
<b>FL4901S4P6D**</b>	<p><b>4-Compartment Floorbox</b> - Complete with Plastic Recessed Lid &amp; Accessory Undercarriage Box Cut-Out Size (345 x 225 x 90mm)</p> <p><i>Includes: 1x CL21206 (6x Data), 6x BPM (Blanking Plugs) + 2x CL18261 (2 Auto Switched GPO's) + CLTAG-1 (Starter Socket)"</i></p>

**Notes:**

- \*\* denotes Grey (GY) or Black (BK) Plastic Lid, or Stainless Steel Soft Close Recessed (SC) or Flush (FSC) Lid variants



# FL Series Components

## Undercarriages

<b>FL2090UC</b>	<b>2-Compartment Floor box</b> - Complete with Plastic Recessed Lid & Accessory Undercarriage Box Cut-Out Size (210 x 210 x 90mm)
<b>FL3090UC</b>	<b>3-Compartment Floor box</b> - Complete with Plastic Recessed Lid & Accessory Undercarriage Box Cut-Out Size (261 x 210 x 90mm)
<b>FL4090UC</b>	<b>4-Compartment Floor box</b> - Complete with Plastic Recessed Lid & Accessory Undercarriage Box Cut-Out Size (345 x 225 x 90mm)

## Lids

	2-Compartment	3-Compartment	4-Compartment
<b>Black Plastic - Recessed</b>	F2LIDBK	F3LIDBK	F4LIDBK
<b>Grey Plastic - Recessed</b>	F2LIDGY	F3LIDGY	F4LIDGY
<b>Stainless Steel Soft Close - Recessed</b>	FT2LIDSC	FT3LIDSC	FT4LIDSC
<b>Stainless Steel Soft Close - Flush</b>	FTF2LIDSC	FTF3LIDSC	FTF4LIDSC

## Plates

