
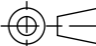


MATERIAL: ALUMINIUM		TOLERANCES UNLESS OTHERWISE STATED: X ±0.5 X.X ±0.2 X.XX ±0.1 X.XXX ±0.05 ANG ±0.5°	 CMS Electracom		<small>COPYRIGHT © 2015</small>		
FINISH: POWDERCOATED			TITLE: ACH195				
COLOUR: WHITE SATIN			DRAWING: LU8989		REV: 1		
<small>THIS DRAWING & ASSOCIATED CAD FILES ARE ISSUED IN THE STRICTEST CONFIDENCE AND ARE ONLY TO BE USED IN THE COMMERCIAL INTERESTS OF CMS ELECTRACOM PTY LTD</small>		<small>DRAWN IN mm TO AS1100 DO NOT SCALE</small> 		SCALE 1:2		SHEET 1 OF 1	

1	RELEASED	1/06/2016	JC	
REV	DESCRIPTION	DATE	DRWN	APPV
REVISIONS				

A3