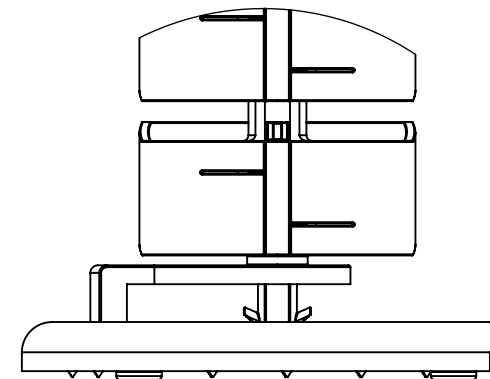



DETAIL A  
SCALE 1 : 2



DETAIL B  
SCALE 1 : 2

REVISION HISTORY		UNLESS OTHERWISE SPECIFIED: DIMENSIONS ARE IN MILLIMETERS		DO NOT SCALE DRAWING		REVISION 1	
DATE	MODIFICATIONS	TOLERANCES					
17/10/13	ISSUED FOR EVALUATION	0.00 ± 0.02	ANGULAR ± 0.5°				
		0.0 ± 0.1		TITLE:  <b>AXFC2</b>			
		0 ± 0.5					
		DIMENSIONS IN AN OBOUND ARE CRITICAL & MUST BE CHECKED		DWG NO. X DRAWN BY X PART NO. X CHECKED BY X SCALE NTS SHEET 1 OF 1			
		THE MATERIAL CONTAINED HEREIN IS THE SOLE PROPERTY OF CMS ELECTRACOM. ANY UNAUTHORIZED REPRODUCTIONS, MODIFICATIONS AND / OR DISTRIBUTION IS STRICTLY PROHIBITED.					
		NAME	DATE	A4			
		LUCKY	17/10/13				
		MATERIAL:	X	FILE ON SHARED\CAD: H:\Melbourne\CAD\Current Production Drawings FILE ON NAS: Z:\Work files\Umbilical\Axxess small			
		FINISH:	X				