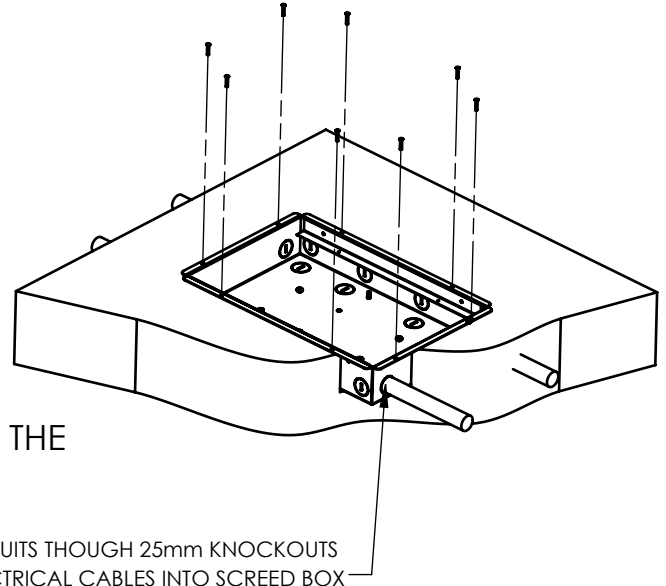


CMS INSTALLATION GUIDE

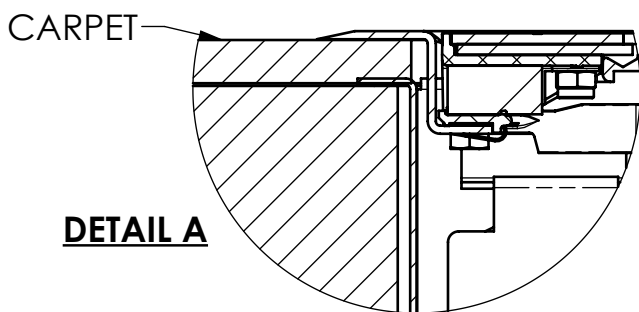
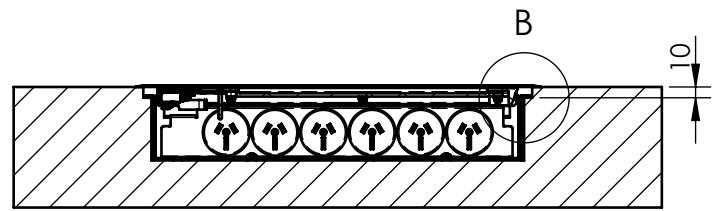
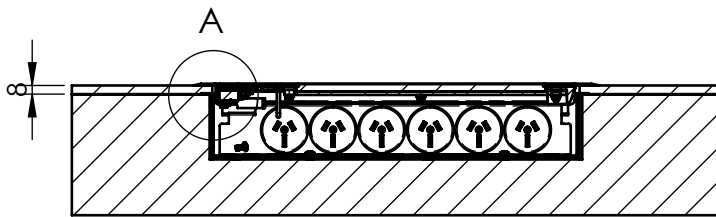
FB 60mm RANGE - USING SOFT CLOSE LIDS

STEP 1 -
CUT HOLE IN CONCRETE TO SUIT FLOORBOX
AS NOMINATED ON DRAWING

FOR POLISHED CONCRETE:
REBATE CONCRETE **10mm** FOR FLOORBOX
UNDERCARRIAGE TO SIT 10mm LOWER THAN
FINISHED LEVEL OF CONCRETE, THIS WILL ENSURE THE
LID OPENS AND CLOSES CORRECTLY

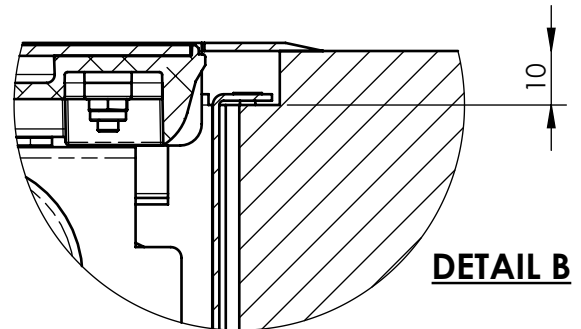


INSTALL CONDUITS THROUGH 25mm KNOCKOUTS
AND RUN ELECTRICAL CABLES INTO SCREED BOX



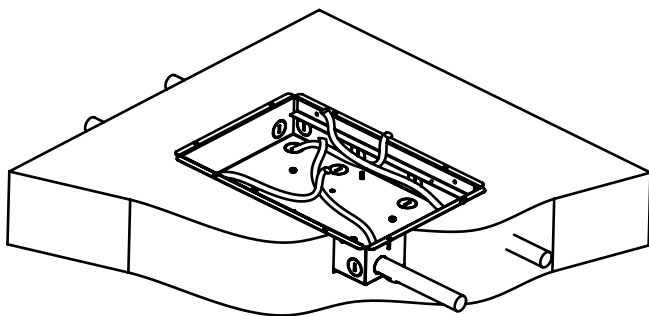
DETAIL A

CARPET/ACCESS FLOORS



DETAIL B

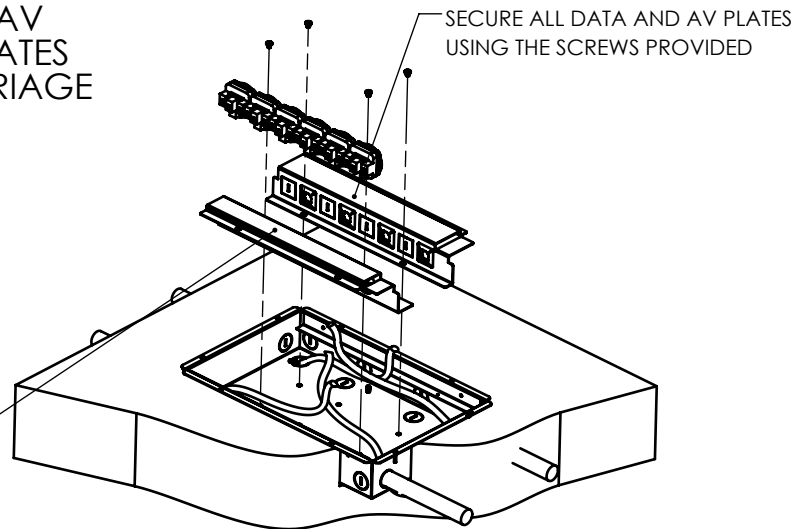
POLISHED CONCRETE/TIMBER FLOORS



STEP 2 -
FEED CABLES INTO FLOORBOX
INSTALL UNDERCARRIAGE

STEP 3 -
TERMINATE ALL GPO DATA AND AV
OUTLETS INTO THE MOUNTING PLATES
AND INSTALL TO THE UNDERCARRIAGE
USING THE SCREWS PROVIDED.

INSTALL GPO' s ENSURING
EARTH LEAD IS SECURED TO THE
EARTH STUD PROVIDED IN THE SCREEDBOX



STEP 4 -
LAY CARPET AND CUT OUT HOLE FOR
THE LID TO FIT- USE CUT PIECE TO INSTALL
INTO RECESS (IF APPLICABLE)
INSTALL AND SECURE THE LID FRAME
TO THE FLOORBOX UNDERCARRIAGE
USING THE FIXING SCREWS PROVIDED

