
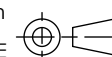


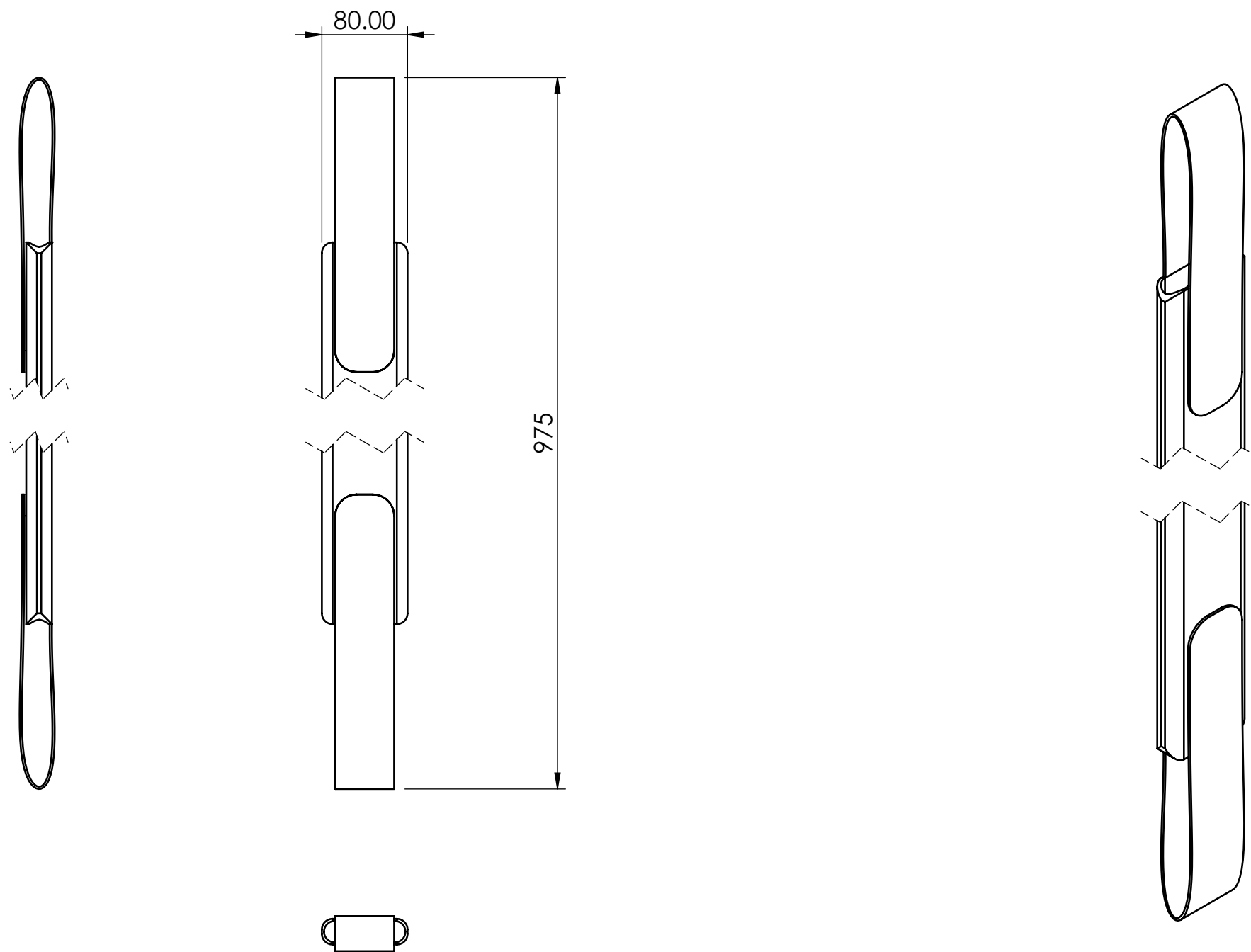
REV	DESCRIPTION	DATE	DRWN	APPV
2	RENAMED TO PART NUMBER - ADDED SECOND PAGE	8/09/2016	KP	
1	ISSUED FOR PRODUCTION	5/04/2016	KLP	
REVISIONS				

MATERIAL: POLYESTER - TO MATCH PROVIDED SAMPLE FINISH: TO MATCH SAMPLE PROVIDED COLOUR: BLACK / WHITE		TOLERANCES UNLESS OTHERWISE STATED: X ±0.5 X.X ±0.2 X.XX ±0.1 X.XXX ±0.05 ANG ±0.5°		 CMS Electracom COPYRIGHT © 2015	
				TITLE: CS0897**	
				DRAWING: LU16918	REV: 2
				SCALE 1:4	SHEET 1 OF 2
				A3	


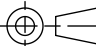
THIS DRAWING & ASSOCIATED CAD FILES ARE ISSUED IN THE STRICTEST CONFIDENCE AND ARE ONLY TO BE USED IN THE COMMERCIAL INTERESTS OF CMS ELECTRACOM PTY LTD

DRAWN IN mm TO AS1100 DO NOT SCALE





NOTE: FABRIC UMBILICAL 975 X 80MM WIDE OVERALL WHEN FOLDED

MATERIAL: POLYESTER - TO MATCH PROVIDED SAMPLE		TOLERANCES UNLESS OTHERWISE STATED: X ± 0.5 X.X ± 0.2 X.XX ± 0.1 X.XXX ± 0.05 ANG $\pm 0.5^\circ$	 CMS Electracom <small>COPYRIGHT © 2015</small>	
FINISH: TO MATCH SAMPLE PROVIDED			TITLE: CS0897**	
COLOUR: BLACK / WHITE			DRAWING: LU16918	REV: 2
<small>THIS DRAWING & ASSOCIATED CAD FILES ARE ISSUED IN THE STRICTEST CONFIDENCE AND ARE ONLY TO BE USED IN THE COMMERCIAL INTERESTS OF CMS ELECTRACOM PTY LTD</small>		<small>DRAWN IN mm TO AS1100 DO NOT SCALE</small> 	SCALE 1:5	SHEET 2 OF 2