
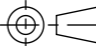
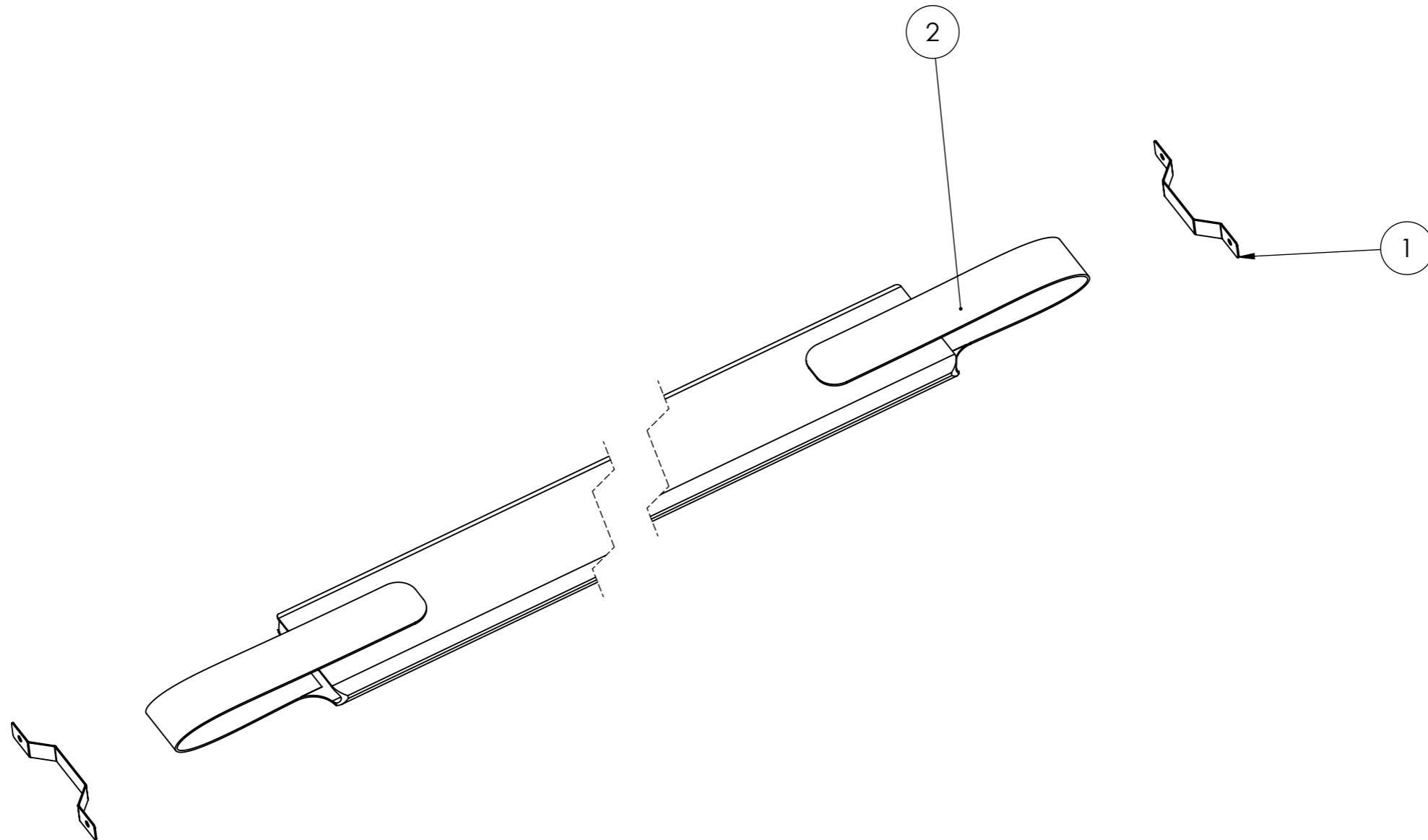



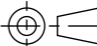
NOTE: FABRIC UMBILICAL 750 X 120MM WIDE OVERALL WHEN FOLDED

REV	DESCRIPTION	DATE	DRWN	APPV
1	ISSUED FOR PRODUCTION	7/09/2016	KP	
REVISIONS				

<b>MATERIAL:</b> PLASTIC / FABRIC		<b>TOLERANCES UNLESS OTHERWISE STATED:</b> X ±0.5 X.X ±0.2 X.XX ±0.1 X.XXX ±0.05 ANG ±0.5°	 <b>CMS Electracom</b> <small>COPYRIGHT © 2015</small>	
<b>FINISH:</b> FINE EDM / FABRIC				
<b>COLOUR:</b> BLACK / WHITE			<b>DRAWING:</b> LU18057	<b>REV:</b> 1
<small>THIS DRAWING &amp; ASSOCIATED CAD FILES ARE ISSUED IN THE STRICTEST CONFIDENCE AND ARE ONLY TO BE USED IN THE COMMERCIAL INTERESTS OF CMS ELECTRACOM PTY LTD</small>		<small>DRAWN IN mm TO AS1100 DO NOT SCALE</small> 	SCALE 1:5	SHEET 1 OF 2



ITEM NO.	PART NUMBER	DESCRIPTION	QTY.
1	LU16783	CEILING MOUNTING BRACKET FOR FABRIC UMBILICAL	2
2	LU16914	CS1275**	1

<b>MATERIAL:</b> PLASTIC / FABRIC		<b>TOLERANCES UNLESS OTHERWISE STATED:</b> X ±0.5 X.X ±0.2 X.XX ±0.1 X.XXX ±0.05 ANG ±0.5°	 <b>CMS Electracom</b> <small>COPYRIGHT © 2015</small>	
<b>FINISH:</b> FINE EDM / FABRIC			<b>TITLE:</b> CSH75**	
<b>COLOUR:</b> BLACK / WHITE			<b>DRAWING:</b> LU18057	<b>REV:</b> 1
<small>THIS DRAWING &amp; ASSOCIATED CAD FILES ARE ISSUED IN THE STRICTEST CONFIDENCE AND ARE ONLY TO BE USED IN THE COMMERCIAL INTERESTS OF CMS ELECTRACOM PTY LTD</small>		<small>DRAWN IN mm TO AS1100 DO NOT SCALE</small> 	SCALE 1:2	SHEET 2 OF 2
			<b>A3</b>	