
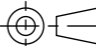
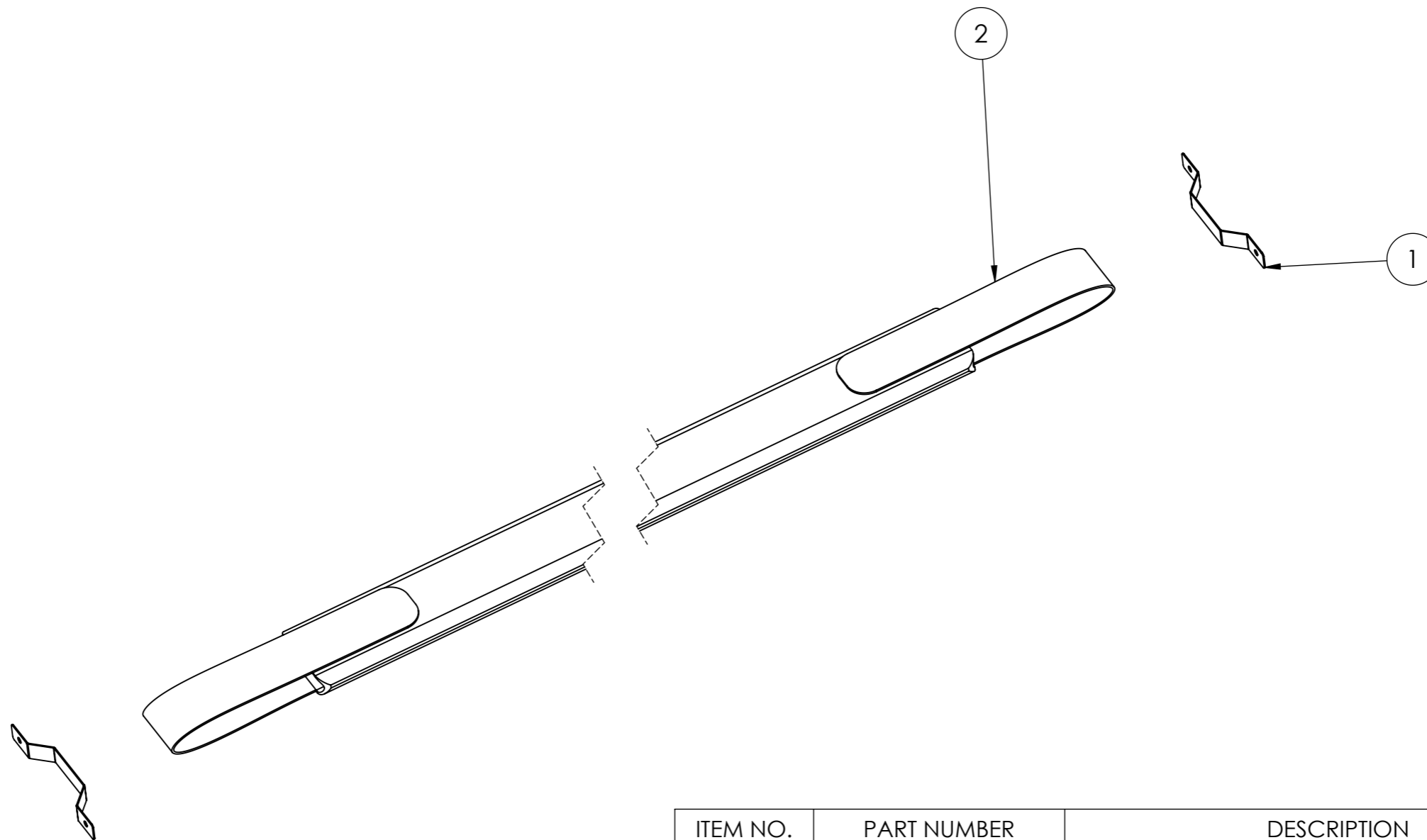

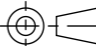


NOTE: FABRIC UMBILICAL 975 X 80MM WIDE OVERALL WHEN FOLDED

MATERIAL: PLASTIC / FABRIC		TOLERANCES UNLESS OTHERWISE STATED: X ±0.5 X.X ±0.2 X.XX ±0.1 X.XXX ±0.05 ANG ±0.5°	 CMS Electracom <small>COPYRIGHT © 2015</small>																
FINISH: FINE EDM / FABRIC					TITLE: CSH97**														
COLOUR: BLACK / WHITE			DRAWING: LU18056		REV: 1														
<small>THIS DRAWING & ASSOCIATED CAD FILES ARE ISSUED IN THE STRICTEST CONFIDENCE AND ARE ONLY TO BE USED IN THE COMMERCIAL INTERESTS OF CMS ELECTRACOM PTY LTD</small>		<small>DRAWN IN mm TO AS1100 DO NOT SCALE</small> 		A3															
<table border="1"> <thead> <tr> <th>1</th> <th>ISSUED FOR PRODUCTION</th> <th>7/09/2016</th> <th>KP</th> <th></th> </tr> <tr> <th>REV</th> <th>DESCRIPTION</th> <th>DATE</th> <th>DRWN</th> <th>APPV</th> </tr> </thead> <tbody> <tr> <td colspan="5">REVISIONS</td> </tr> </tbody> </table>		1	ISSUED FOR PRODUCTION		7/09/2016	KP		REV	DESCRIPTION	DATE	DRWN	APPV	REVISIONS					SCALE 1:5	
1	ISSUED FOR PRODUCTION	7/09/2016	KP																
REV	DESCRIPTION	DATE	DRWN	APPV															
REVISIONS																			



ITEM NO.	PART NUMBER	DESCRIPTION	QTY.
1	LU16783	CEILING MOUNTING BRACKET FOR FABRIC UMBILICAL	2
2	LU16918	CS0897**	1

MATERIAL: PLASTIC / FABRIC		TOLERANCES UNLESS OTHERWISE STATED: X ± 0.5 X.X ± 0.2 X.XX ± 0.1 X.XXX ± 0.05 ANG $\pm 0.5^\circ$	 CMS Electracom <small>COPYRIGHT © 2015</small>	
FINISH: FINE EDM / FABRIC				
COLOUR: BLACK / WHITE			DRAWING: LU18056	REV: 1
<small>THIS DRAWING & ASSOCIATED CAD FILES ARE ISSUED IN THE STRICTEST CONFIDENCE AND ARE ONLY TO BE USED IN THE COMMERCIAL INTERESTS OF CMS ELECTRACOM PTY LTD</small>		<small>DRAWN IN mm TO AS1100 DO NOT SCALE</small> 	SCALE 1:2	SHEET 2 OF 2