

CUSTOMER SIGNATURE:
MATERIAL: PLASTIC / MS / ALUMINIUM
FINISH: FINE EDM / POWDER COATED / BEAD BLASTED
COLOUR: BLACK / BLACK / SILVER

TOLERANCES UNLESS OTHERWISE STATED:

X ±0.5
 X.X ±0.2
 X.XX ±0.1
 X.XXX ±0.05
 ANG ±0.5°

 **CMS Electracom** COPYRIGHT © 2015

TITLE:
 EX2 WITH 2 X SW1802 1 X SW18UAA2 4 X DATA

REV	DESCRIPTION	DATE	DRWN	APPV
2	UPDATED BOM FOR PRODUCTION	19/06/2017	KLP	
1	ISSUED FOR SALES	15/06/17	KLP	
REVISIONS				

THIS DRAWING & ASSOCIATED CAD FILES ARE ISSUED IN THE STRICTEST CONFIDENCE AND ARE ONLY TO BE USED IN THE COMMERCIAL INTERESTS OF CMS ELECTRACOM PTY LTD

DRAWN IN mm TO AS1100 DO NOT SCALE 

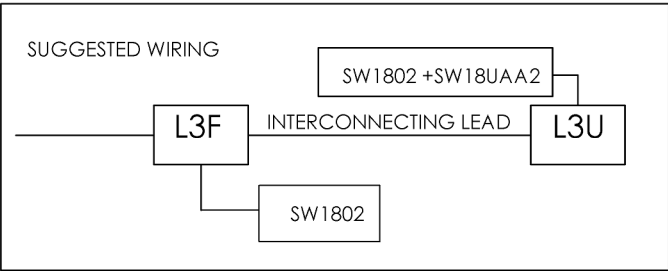
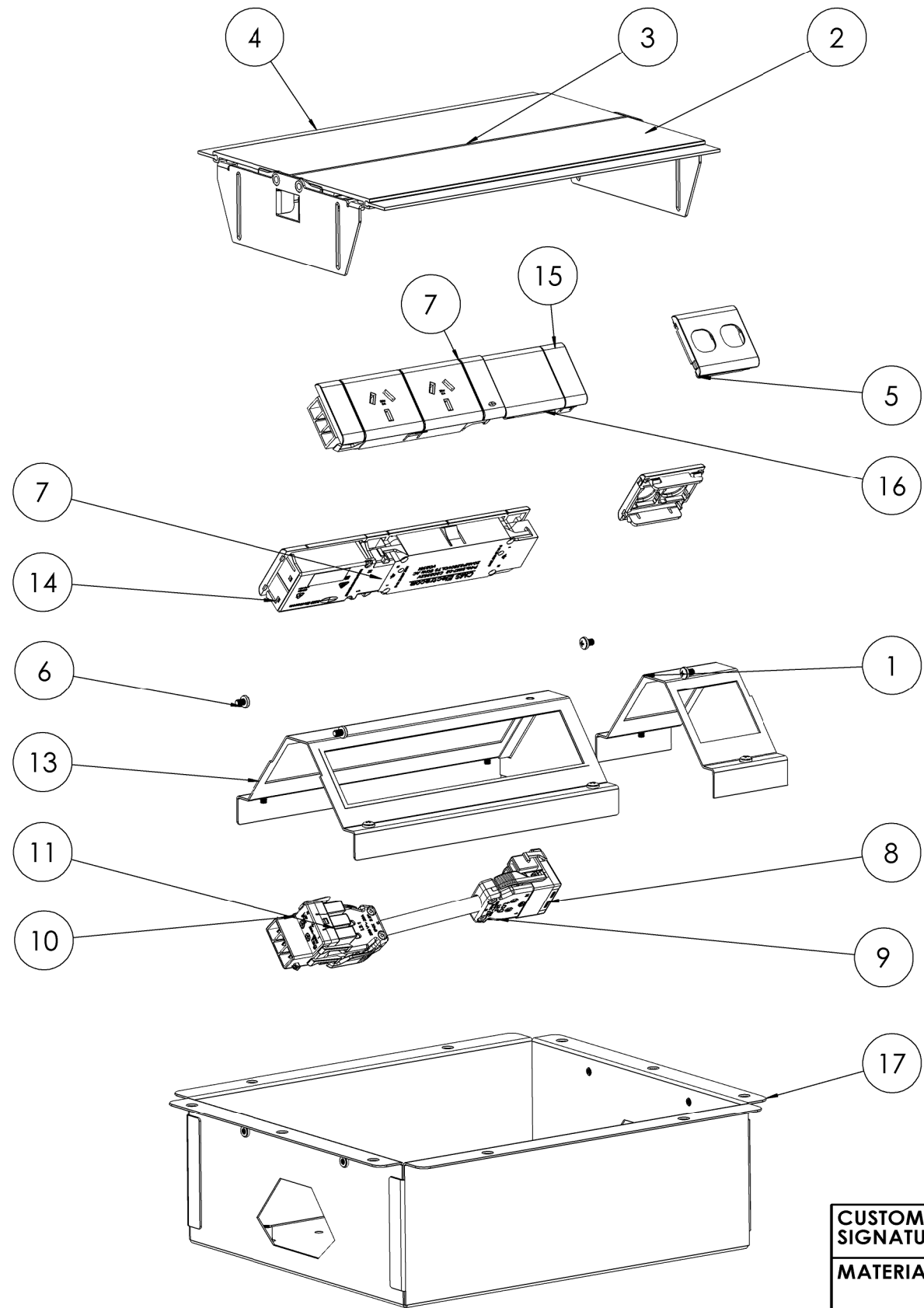
DRAWING:
 LU20729

REV:
 2

A3

SCALE 1:10

SHEET 1 OF 2



ITEM NO.	PART NUMBER	QTY.
1	LU6292_V1_TB1 data plate	1
2	LU1150_V6_DL Exec box SS end plate	2
3	95018	2
4	9010930	2
5	SW18C-2	2
6	M4 x 6 pan head machine screw	10
7	SW1802	2
8	L3U	1
9	L3.2	1
10	L3F	1
11	L3.1	1
12	CABLE - INTERCONNECTING LEAD APPROX. 150MM	1
13	LU18800_CUSTOM EX2 POWER PLATE	1
14	SW18UAA2	1
15	SW18A	1
16	SW18C	1
17	LU20746_EX2 CUSTOM UNDERCARRIAGE	1

CUSTOMER SIGNATURE:

MATERIAL: PLASTIC / MS / ALUMINIUM

FINISH: FINE EDM / POWDER COATED / BEAD BLASTED

COLOUR: BLACK / BLACK / SILVER

THIS DRAWING & ASSOCIATED CAD FILES ARE ISSUED IN THE STRICTEST CONFIDENCE AND ARE ONLY TO BE USED IN THE COMMERCIAL INTERESTS OF CMS ELECTRACOM PTY LTD

TOLERANCES UNLESS OTHERWISE STATED:

X ±0.5
 X.X ±0.2
 X.XX ±0.1
 X.XXX ±0.05
 ANG ±0.5°

DRAWN IN mm TO AS1100 DO NOT SCALE

CMS Electracom COPYRIGHT © 2015

TITLE: EX2 WITH 2 X SW1802 1 X SW18UAA2 4 X DATA

DRAWING: LU20729 **REV:** 2 **A3**

SCALE 1:4 SHEET 2 OF 2