

# In Desk Box Application

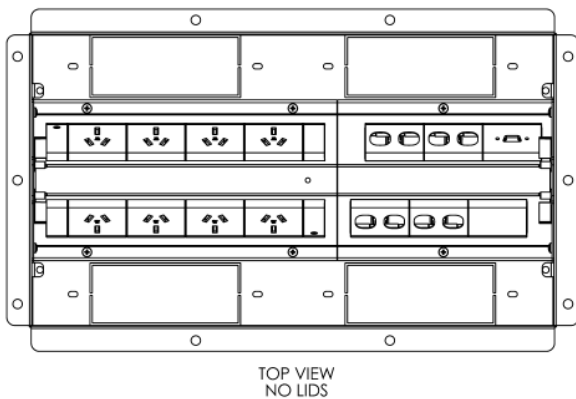
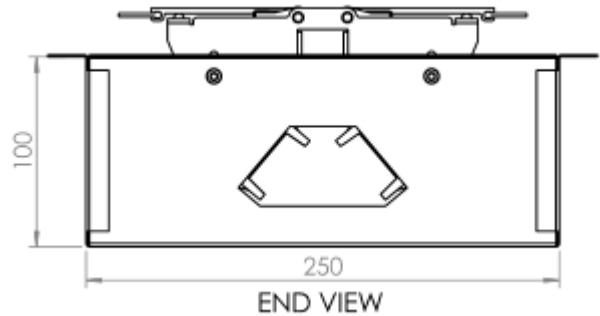
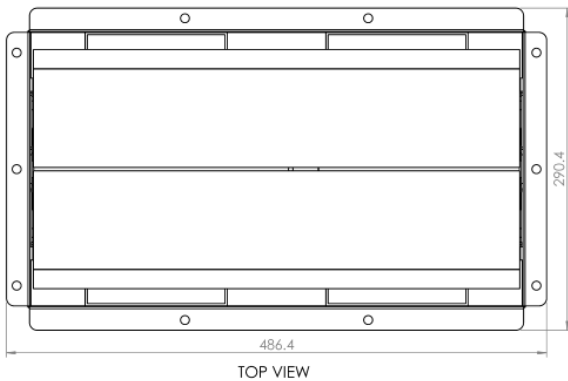
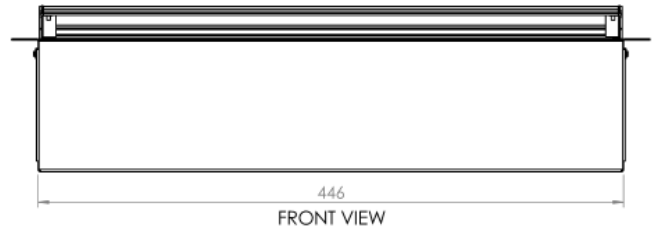
Type: Executive - Dual Lid

Part No: EX20808SL

442

CUT OUT = 442mm x 218mm  
(All 4 corners must be square)  
Note: Please allow for edging before cutting

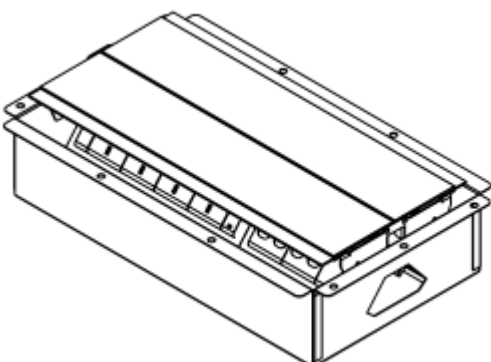
218



**STEP 1:** CREATE CUT OUT IN TABLE TO SUIT SPECIFIC BOX

**STEP 2:** POSITION BOX INTO CUTOUT

**STEP 3:** FIT BRACKET TO PERFORATIONS ON UNDERSIDES AND FIT BOX TO TOP



FOR MORE INFORMATION GO TO:

[www.cmselectra.com](http://www.cmselectra.com)