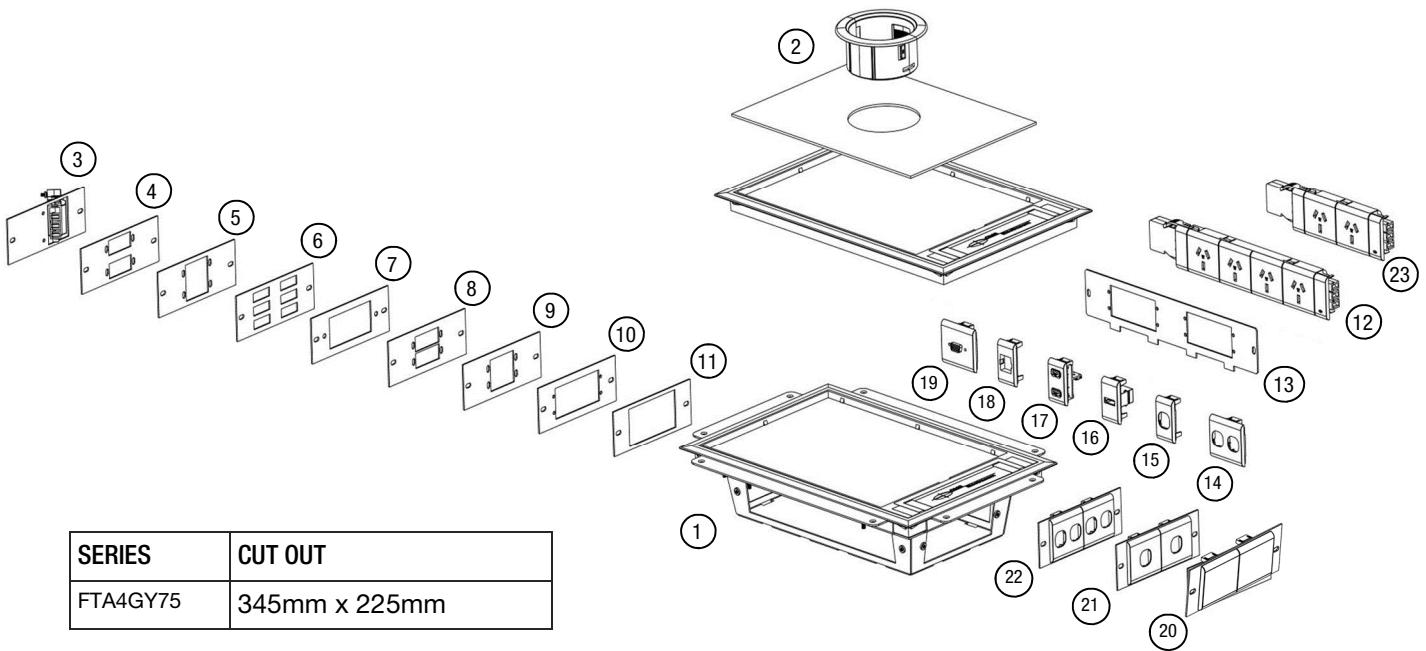


FTA4 LOW PROFILE ACCESS BOX - EXPLODED VIEW



SERIES	CUT OUT
FTA4GY75	345mm x 225mm

ID NO.	PART NO.	ID NO.	PART NO.
1	FTA4GY75 - FB4 floorbox, lid & undercarriage - 75mm deep	13	FTLPEX2AAP - AAP Extron plate to suit 2 x Doubles or 4 x single modules
2	FT4LID-UMB - Floorbox lid with galvanised steel lid insert and umbilical grommet	14	SW18C2 - 50mm dual data tile
3	FTLPTAGBK - Low profile starter full plate c/w single rewirable socket	15	SW18B1 - 25mm single data tile
4	FTLPKRWD - Kramer Adaptor Plate to suit Double modules	16	SW18BH - 25mm Data tile f/w HDMI connector
5	FTLPKRW2 - Kramer adapter plate to suit 'W' xx double modules	17	SW18USB - 25mm Data tile f/w 2 x USB ports
6	FTLPSCD - SC Duplex plate adaptor plate to suit 75mm deep box	18	SW18B1SM - 25mm Single tile to suit Systimax data
7	FTLPKRSV - Kramer adapter plate to suit SV301 or SV306	19	SW18CV - 50mm tile f/w VGA H/D DB15 socket & screw termination
8	FTLPEXMAAPD - Titan floorbox MAAP Extron adapter plate double	20	FTLPBPBK- Titan low profile blank plate f/w 2 x 50mm blank data tiles - black
9	FTLPEXMAAP2 - Titan floorbox MAAP Extron plate single	21	FTDLP2BK - Titan low profile data plate f/w 2 x 50mm single data provision tiles - black
10	FTLPEXAAP - AAP Extron adapter plate to suit 1 x Double or 2 x singles	22	FTDLP4BK - Titan low profile data plate f/w 2 x 50mm double data provision tiles - black
11	FTLPD3/25BK - 100mm blank plate	23	FTA1802L3BK - Dual auto switched power module c/w L3.20
12	FTA1804L3BK - Quad auto switched power module c/w L3.20		

LOW PROFILE ACCESS ACCESSORY ORDERING INFORMATION	
PART NO.	DESCRIPTION
FTA4GY75	FB4 floorbox, lid & undercarriage - 75mm deep
FT4LID-UMB	Floorbox lid with galvanised steel lid insert and umbilical grommet
FTLPEXMAAPD	Titan floorbox MAAP Extron adapter plate double
FTLPEX2AAP	AAP Extron plate to suit 2 x Doubles or 4 x single modules
FTLPEXMAAPD2	Titan Floor box MAAP Extron adapter plate single
FTLPKRW2	Kramer adapter plate to suit 'W' xx double modules
FTLPKRWD	Kramer adaptor plate to suit Double modules
FTLPEXAAP	AAP Extron adapter plate to suit 1 x Double or 2 x Singles
FTLPKRSV	Kramer adapter plate to suit SV301 or SV306
FTLPTAGBK	Low profile starter full plate c/w single rewirable socket
FTLPD3/25BK	100mm Blank plate
FTLPSCD	SC Duplex plate adaptor plate to suit 75mm deep box
FTLPBPBK	Titan low profile blank plate f/w 2 x 50mm blank data tiles - black
FTDLP2BK	Titan low profile data plate f/w 2 x 50mm single data provision tiles- black
FTDLP4BK	Titan low profile data pate f/w 2 x 50mm double data provision tiles - black
FTLP4BPBK	Titan low profile tile KIT 4 x 50mm Tiles & 2 x 18mm blank tiles - black
FTD2C1BK	Double data kit (to suit whole Titan range)
FTD4C1BK	Quad data kit (to suit whole Titan range)
FTD6C2CBK	6 Way data kit (to suit whole Titan range)
FTD8C2BK	8 Way data kit (to suit whole Titan range)
FTA1802L3BK	Double GPO kit including L3.20 rewirable coupler to suit FT4TP series
FTA1804L3BK	Quad GPO kit including L3.20 rewirable coupler to suit FT4TP series