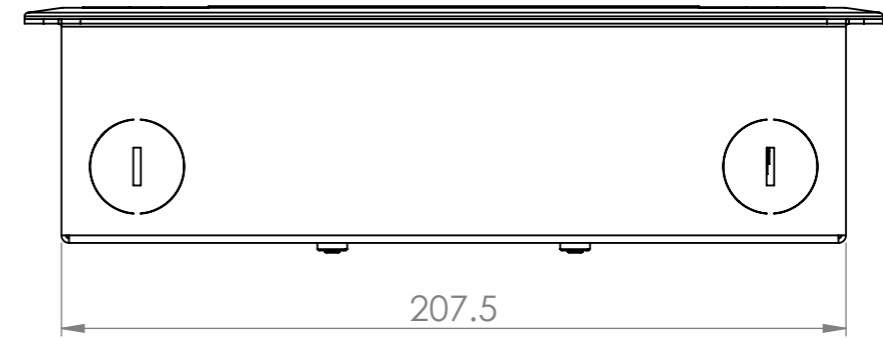
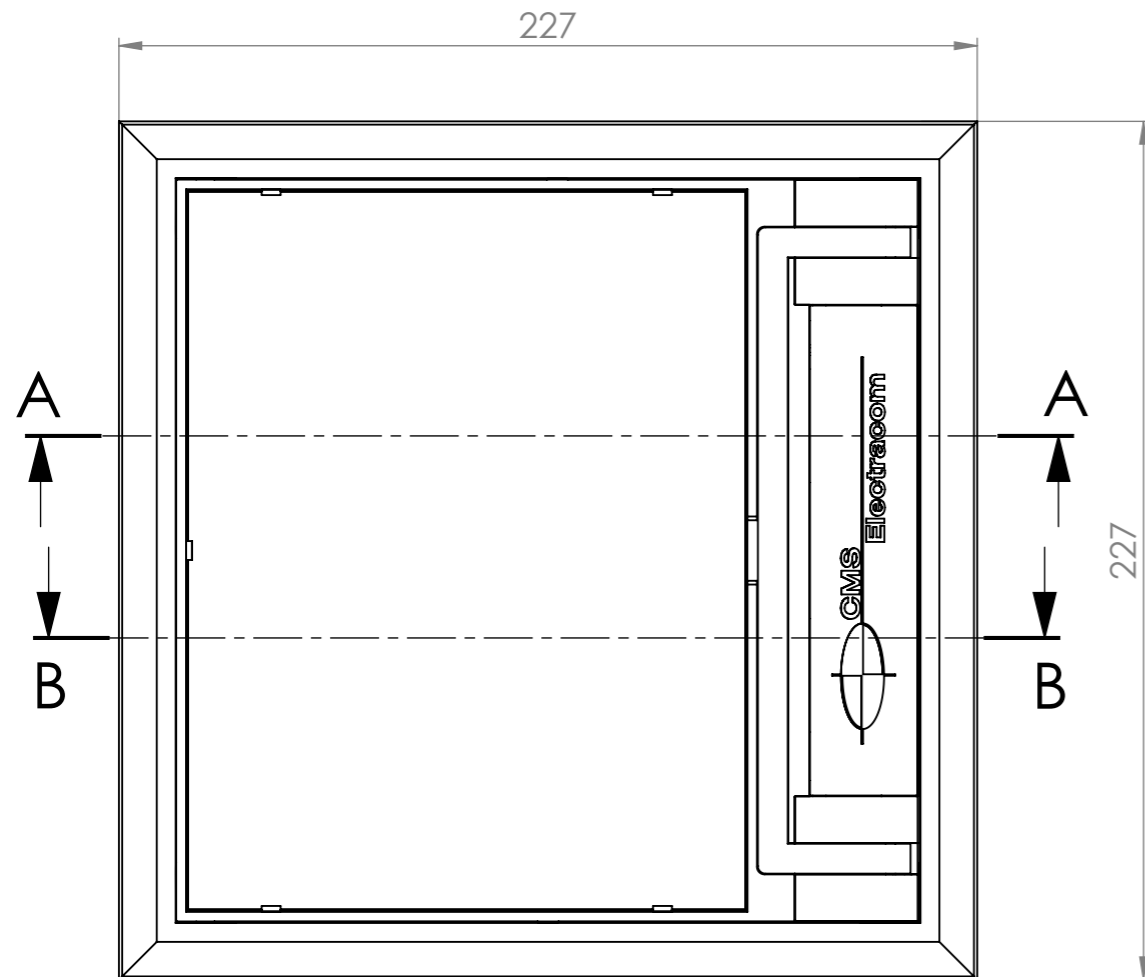




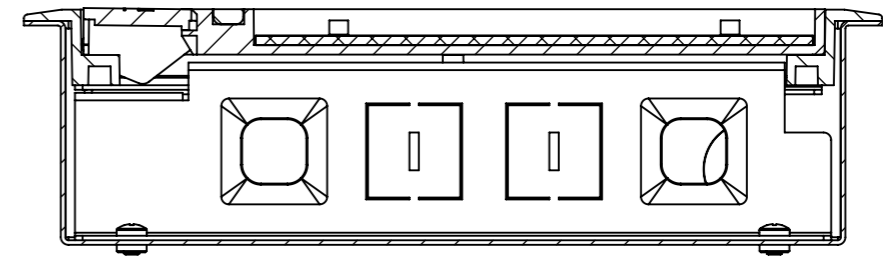
FRONT VIEW



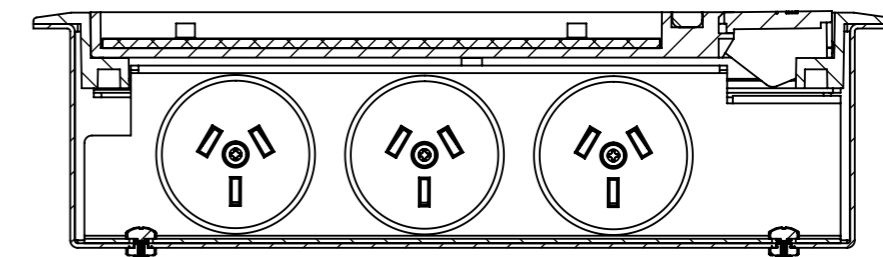
END VIEW



TOP VIEW



SECTION B-B



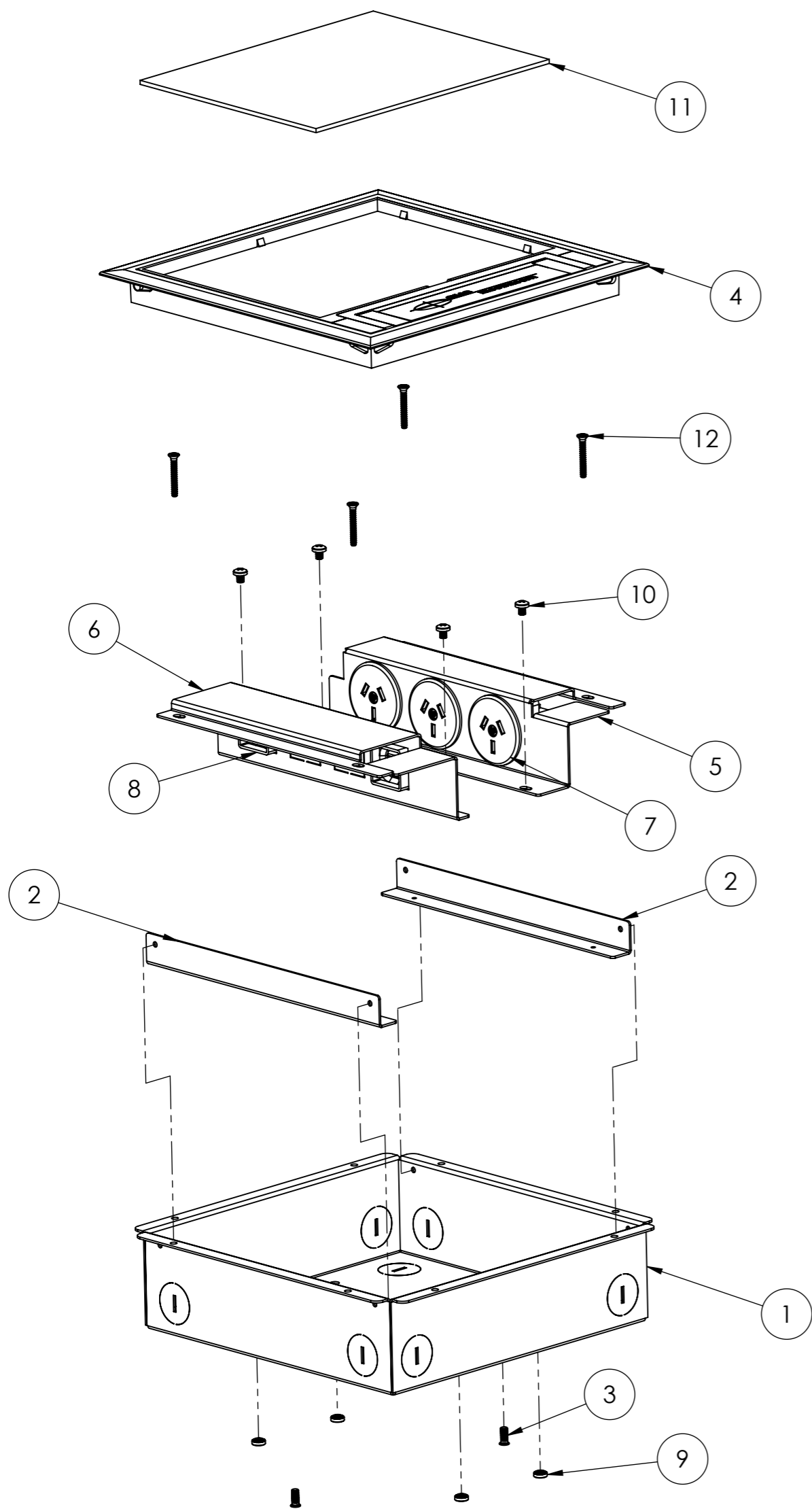
SECTION A-A

REVISION HISTORY		UNLESS OTHERWISE SPECIFIED: DIMENSIONS ARE IN MILLIMETERS		DO NOT SCALE DRAWING		REVISION	
N.	DATE	MODIFICATIONS		TOLERANCES		4	
1	11/03/11	ISSUED FOR MANUFACTURING		0.00 ± 0.02 ANGULAR ± 0.5°			
2	15/03/11	MODIFIED PLATES		0.0 ± 0.1			
3	27/07/11	MODIFIED UNDERCARRIAGE		0 ± 0.5			
4	10/10/11	MODIFIED AMENITIES PLATES		DEBUR AND BREAK SHARP EDGES			
5				THE MATERIAL CONTAINED HEREIN IS THE SOLE PROPERTY OF CMS ELECTRACOM. ANY UNAUTHORIZED REPRODUCTIONS, MODIFICATIONS AND / OR DISTRIBUTION IS STRICTLY PROHIBITED.		TITLE:	
6				NAME		DATE	
7				LUCKY		10/10/11	
8				MATERIAL:		X	
9				FINISH:		X	
10				FILE ON SHARED\CAD:		H:\Melbourne\CAD\Other drawings\Production\Floor box	
11				FILE ON NAS:		Z:\Work files\Floor boxes\CMS Floorbox\60mm\Small	
12				DWG NO.		LU-1724	
13				PART NO.		TBC	
				SCALE		1:2	
				SHEET		1 OF 2	



CMS floor box  
60mm small assembly

A3



ITEM NO.	PART NUMBER	QTY.
1	LU1694_V2_CMS floor box 60mm small undercarriage	1
2	LU1697_V1_CMS floor box 60mm small undercarriage support bracket.	2
3	PEM 4 x 10 flush head threaded stud	2
4	CMS Floorbox lid small	1
5	LU1695_V3_CMS floor box 60mm small undercarriage plate	1
6	LU1696_V3_CMS floor box 60mm small undercarriage plate mirror	1
7	10a round GPO black	3
8	BEZBK	2
9	M4 clinch nut	4
10	M4 x 6 pan head machine screw	4
11	LU1344_V1_Small gal insert	1
12	6G x 1" CSK screw blind	4

REVISION HISTORY		UNLESS OTHERWISE SPECIFIED: DIMENSIONS ARE IN MILLIMETERS		DO NOT SCALE DRAWING		REVISION	
N.	DATE	MODIFICATIONS		TOLERANCES		4	
1	11/03/11	ISSUED FOR MANUFACTURING		0.00 ± 0.02 ANGULAR ± 0.5°			
2	15/03/11	MODIFIED PLATES		0.0 ± 0.1			
3	27/07/11	MODIFIED UNDERCARRIAGE		0 ± 0.5			
4	10/10/11	MODIFIED AMENITIES PLATES		DEBUR AND BREAK SHARP EDGES			
5				THE MATERIAL CONTAINED HEREIN IS THE SOLE PROPERTY OF CMS ELECTRA.COM. ANY UNAUTHORIZED REPRODUCTIONS, MODIFICATIONS AND / OR DISTRIBUTION IS STRICTLY PROHIBITED.		TITLE:	
6				NAME		CMS	
7				DATE		Electracom	
8				LUCKY		10/10/11	
9				MATERIAL: X		DWG NO. LU-1724	
10				FINISH: X		PART NO. TBC	
11				FILE ON SHARED\CAD:		SCALE N/A	
12				H:\Melbourne\CAD\Other drawings\Production\Floor box		SHEET 2 OF 2	
13				FILE ON NAS:		A3	
				Z:\Work files\Floor boxes\CMS Floorbox\60mm\Small			