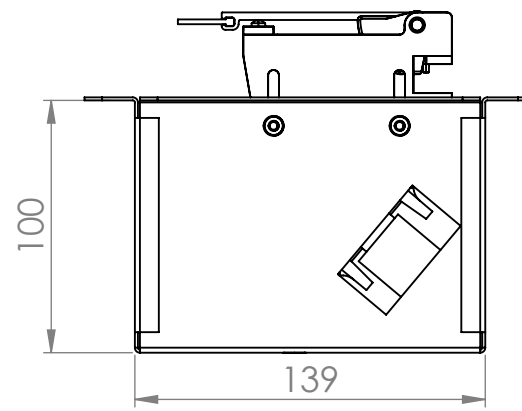
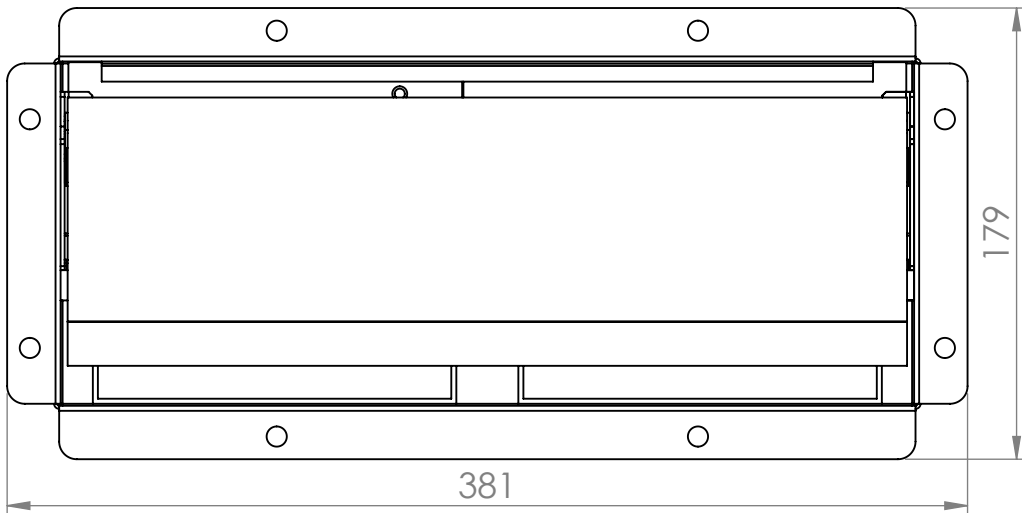
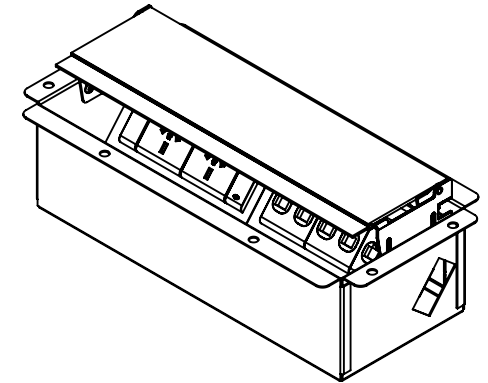


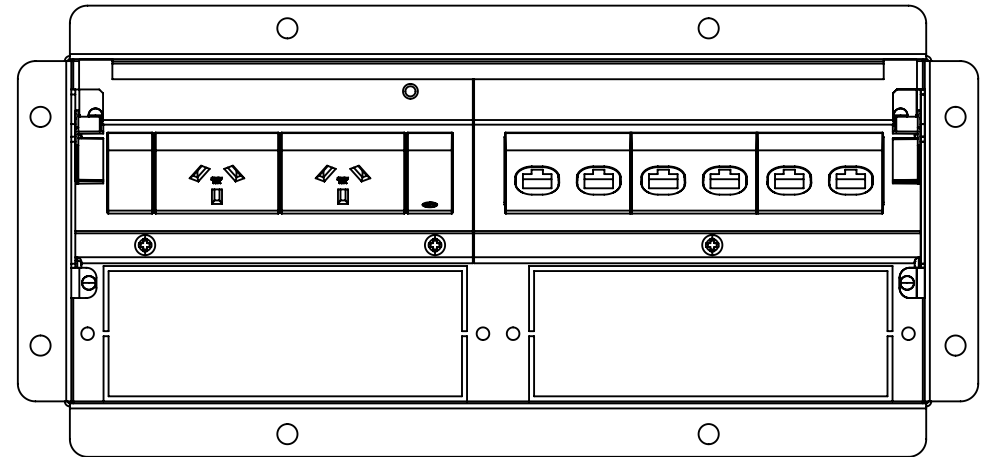
FRONT VIEW



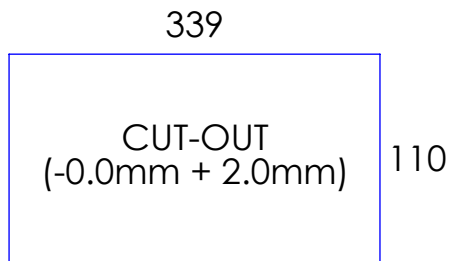
END VIEW




TOP VIEW



TOP VIEW
NO LID



REVISION HISTORY		UNLESS OTHERWISE SPECIFIED: DIMENSIONS ARE IN MILLIMETERS		DO NOT SCALE DRAWING		REVISION 2	
N.	DATE	MODIFICATIONS		TOLERANCES		 TITLE: EX10203SL DWG NO. LU-4027 PART NO. TBC SCALE 1:3 SHEET 1 OF 1	
1	29/08/12	ISSUED FOR EVALUATION		0.00 ± 0.02 ANGULAR ± 0.5°			
2	08/11/12	UPDATED UNDERCARRIAGE & ADDED CUT-OUT		0.0 ± 0.1			
3				0 ± 0.5			
4				DEBUR AND BREAK SHARP EDGES			
5				THE MATERIAL CONTAINED HEREIN IS THE SOLE PROPERTY OF CMS ELECTRACOM. ANY UNAUTHORIZED REPRODUCTIONS, MODIFICATIONS AND / OR DISTRIBUTION IS STRICTLY PROHIBITED.			
6				NAME			
7				DATE			
8				LUCKY			
9				08/11/12			
10				MATERIAL: X			
11				FINISH: X			
12				FILE ON SHARED\CAD: x			
13				FILE ON NAS: x			

A4