
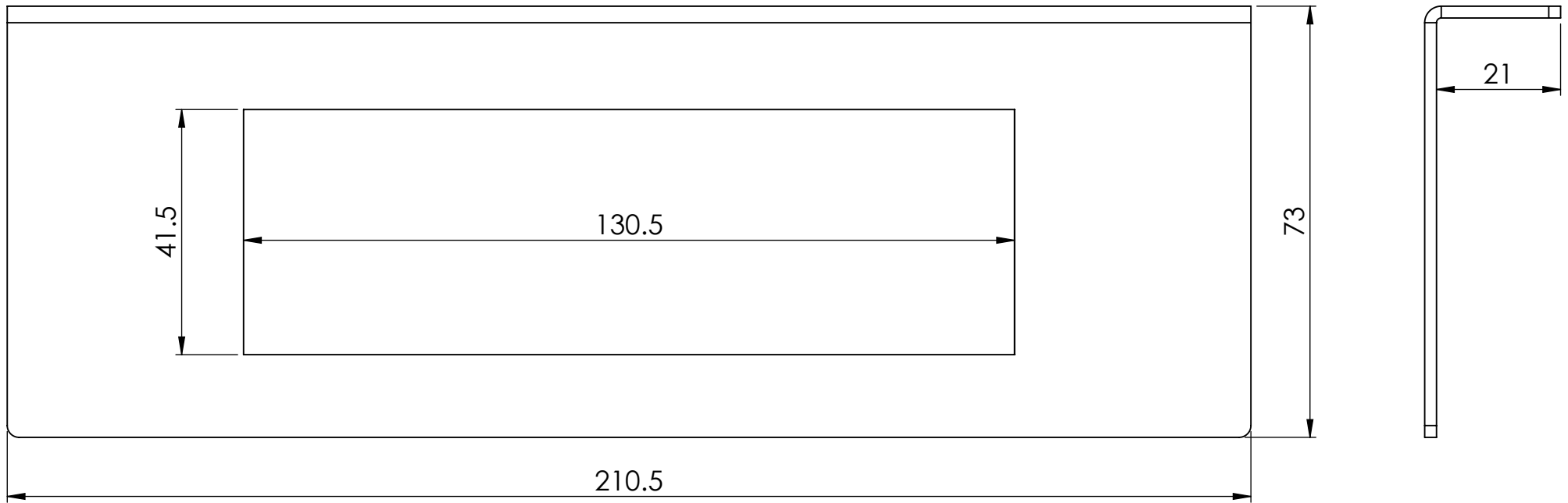
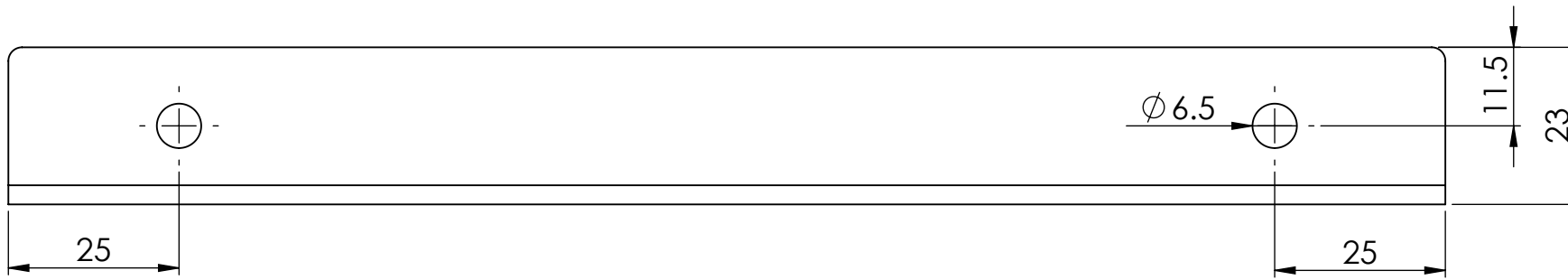



| REVISION HISTORY | | | UNLESS OTHERWISE SPECIFIED: DIMENSIONS ARE IN MILLIMETERS | | DO NOT SCALE DRAWING | | REVISION 1 | |
|------------------|----------|--------------------------|--|----------------|--|--|------------|--|
| N. | DATE | MODIFICATIONS | TOLERANCES | |  | | | |
| 1 | 11/04/11 | ISSUED FOR MANUFACTURING | 0.00 ± 0.02 | ANGULAR ± 0.5° | | | | |
| 2 | | | 0.0 ± 0.1 | | | | | |
| 3 | | | 0 ± 0.5 | | DWG NO. LU-2008 PART NO. TBC | | | |
| 4 | | | DEBUR AND BREAK SHARP EDGES | | | | | |
| 5 | | | THE MATERIAL CONTAINED HEREIN IS THE SOLE PROPERTY OF CMS ELECTRACOM. ANY UNAUTHORIZED REPRODUCTIONS, MODIFICATIONS AND / OR DISTRIBUTION IS STRICTLY PROHIBITED. | | SCALE 1:1 SHEET 1 OF 2 | | | |
| 6 | | | | | | | | |
| 7 | | | NAME DATE | | A4 | | | |
| 8 | | | LUCKY 11/04/11 | | | | | |
| 9 | | | MATERIAL: 1.5mm Steel | | FILE ON SHARED\CAD: H:\Melbourne\CAD\Other drawings\Production\Plates FILE ON NAS: Z:\Work files\Under desk brackets\MB1702 | | | |
| 10 | | | FINISH: Powder coat Precious silver pearl | | | | | |
| 11 | | | | | | | | |
| 12 | | | | | | | | |
| 13 | | | | | | | | |



| REVISION HISTORY | | | UNLESS OTHERWISE SPECIFIED: DIMENSIONS ARE IN MILLIMETERS | | DO NOT SCALE DRAWING | | REVISION 1 | |
|------------------|----------|--------------------------|---|---|--|--|------------|--|
| N. | DATE | MODIFICATIONS | TOLERANCES | |  | | | |
| 1 | 11/04/11 | ISSUED FOR MANUFACTURING | 0.00 ± 0.02 | ANGULAR ± 0.5° | | | | |
| 2 | | | 0.0 ± 0.1 | | TITLE: MB1702 DWG NO. LU-2008 PART NO. TBC SCALE 1:1 SHEET 2 OF 2 | | | |
| 3 | | | 0 ± 0.5 | | | | | |
| 4 | | | DEBUR AND BREAK SHARP EDGES | | | | | |
| 5 | | | THE MATERIAL CONTAINED HEREIN IS THE SOLE PROPERTY OF CMS ELECTRACOM. ANY UNAUTHORIZED REPRODUCTIONS, MODIFICATIONS AND / OR DISTRIBUTION IS STRICTLY PROHIBITED. | | | | | |
| 6 | | | NAME | | | | | |
| 7 | | | DATE | | | | | |
| 8 | | | LUCKY | 11/04/11 | | | | |
| 9 | | | MATERIAL: | 1.5mm Steel | | | | |
| 10 | | | FINISH: | Powder coat Precious silver pearl | | | | |
| 11 | | | FILE ON SHARED CAD: | H:\Melbourne\CAD\Other drawings\Production\Plates | | | | |
| 12 | | | FILE ON NAS: | Z:\Work files\Under desk brackets\MB1702 | | | | |
| 13 | | | | | | | | |