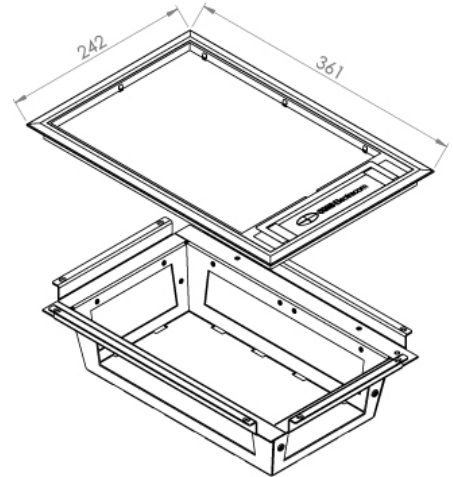


# TITAN FTA4

**LID:** ABS Plastic with recess provision for carpet tile  
**UNDERCARRIAGE:** Access Floor Assembly - 95mm Depth



## Lid Features

- Carpet frame with recessed lid manufactured from ABS plastic.
- 7mm lid recess for carpet or vinyl tile.
- Easy-grab handle and functional cable exit when lid closed.
- Lock option available for security applications.

## Titan Undercarriage Features

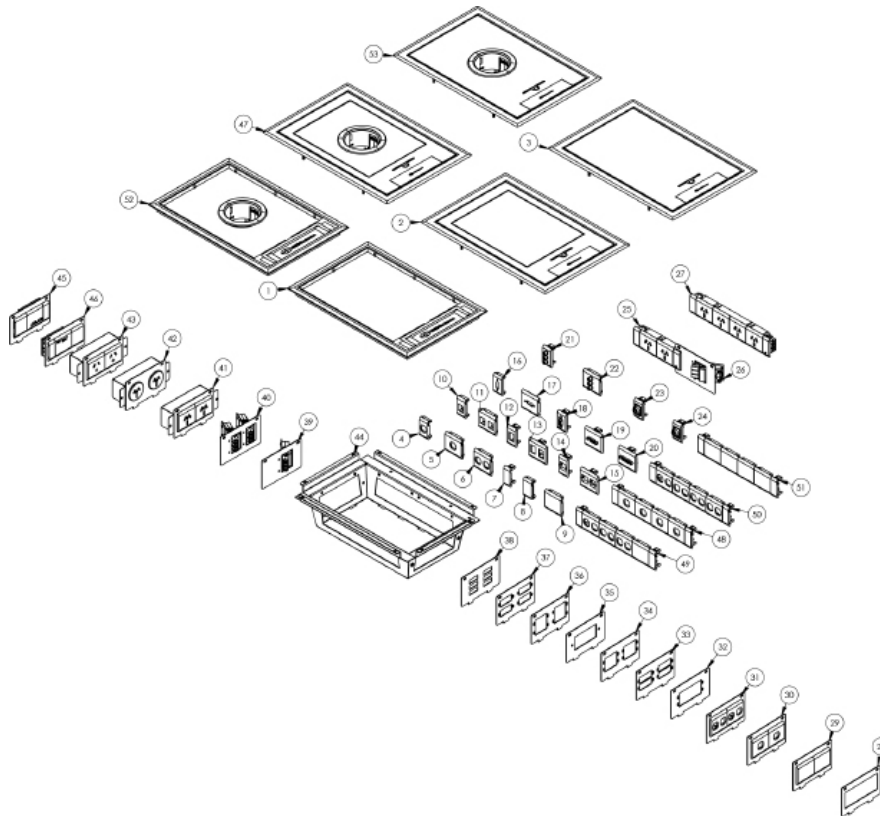
- Designed for AV Integration with Interchangeable mounting plates for Crestron, Extron, Kramer and AMX adapters.
- Wide range of modular soft/hardwired power, data and AV mounting plates.
- CAT6, 6A and 7 Compliant.
- Custom brackets & plates available.
- Designed and manufactured in Australia.

## Technical Specification

<b>Floor application</b>	Access raised floor
<b>Cut-out dimension</b>	L345mm x W225mm x D95mm
<b>Lid dimension plus beveled edge</b>	L285mm x W205mm x D7mm
<b>Lid specification</b>	ABS plastic with recess provision for carpet tile.
<b>Undercarriage and screed box specification</b>	Undercarriage manufactured from black powder-coated mild steel.
<b>Weight rating</b>	120kg

# TITAN FTA4

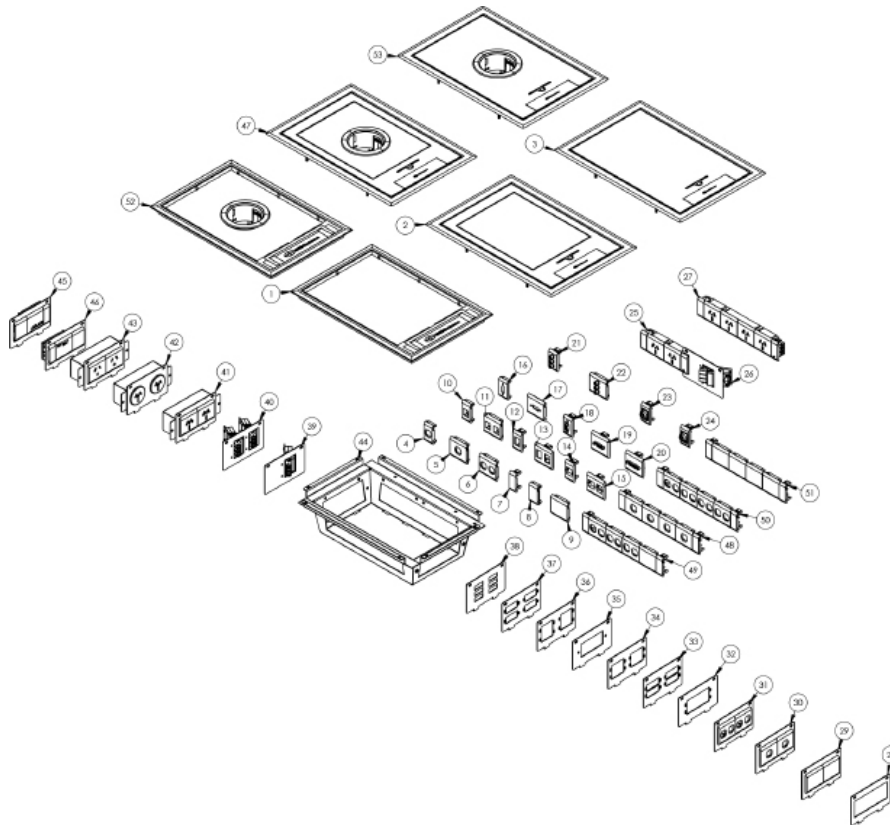
## Component List



No.	Part No & Description	No.	Part No & Description
1	F4LID - APOLLO FLOORBOX PLASTIC LID	17	SW18CDP1 - 50mm TILE WITH PROVISION FOR DISPLAY PORT
2	FT4LIDSC - STAINLESS SOFT-CLOSE FB4 RECESSED	18	SW18BVV - 25mm TILE F/W VGA MINI GENDER BENDER
3	FTF4LIDSC - STAINLESS SOFT-CLOSE FB4 FLUSH	19	SW18CVV - 50mm TILE F/W VGA MINI GENDER BENDER
4	SW18B1 - 25mm SINGLE DATA TILE	20	SW18CDVI - 50mm DATA TILE - F/W DVI FEMALE CONNECTOR
5	SW18C1 - 50mm SINGLE DATA TILE	21	
6	SW18C2 - 50mm DUAL DATA TILE	22	
7	SW18A - 18mm blank tile	23	SW18BX3 - 25mm TILE F/W MINI XLR 3 PIN PLUG WITH SOLDER CUPS
8	SW18B - 25mm blank tile	24	SW18BX4 - 25mm TILE F/W MINI XLR 4 PIN PLUG WITH SOLDER CUPS
9	SW18C - 50mm BLANK TILE	25	FTA1802L3 - DUAL AUTO SWITCHED POWER MODULE WITH REWIREABLE CONNECTOR
10	SW18B1K - 25mm SINGLE TILE TO SUIT KEYSTONE DATA	26	FTTAG+ - STARTER PLATE C/W REWIREABLE SOCKET (WITH OPENING TO SUIT ADJACENT CUT-OUT)
11	SW18CK2 - 50mm DUAL DATA TILE TO SUIT KEYSTONE JACKS	27	FTA1804L3 - QUAD AUTO SWITCHED POWER MODULE WITH REWIREABLE CONNECTOR
12	SW18B1SE - 25mm SINGLE TILE TO SUIT SIEMON DATA	28	FTBPP - TITAN 100mm BLANK PLATE
13	SW18C2SE - 50mm DUAL DATA TILE TO SUIT SIEMON JACKS	29	FTBP - TITAN BLANK PLATE F/W 2 x 50mm BLANK DATA TILES
14	SW18B1SM - 25mm SINGLE TILE TO SUIT SYSTIMAX DATA	30	FTD2 - ADAPTER PLATE TO SUIT 2 x 50mm SINGLE TILE (PROVISION 2 x DATA)
15	SW18C2SM - 50mm DUAL DATA TILE TO SUIT SYSTIMAX DATA	31	FTD4 - ADAPTER PLATE TO SUIT 2 x 50mm DUAL TILE (PROVISION 4 x DATA)
16	SW18BDP1 - 25mm TILE WITH PROVISION FOR DISPLAY PORT	32	FTEXAAP - AAP EXTRON ADAPTER PLATE TO SUIT 1 x DOUBLE OR 2 x SINGLE MODULES

# TITAN FTA4

## Component List



No.	Part No & Description	No.	Part No & Description
33	FTEXMAAP4 - TITAN FLOOR BOX MAAP EXTRON ADAPTER PLATE QUAD	44	FTA4UC - FTA4 ACCESS UNDERCARRIAGE
34	FTKRWD2 - TITAN FLOOR BOX KRAMER ADAPTER TO SUIT "W" xx DOUBLE MODULES	45	FTP2UBK - TITAN FB PLATE F/W DUAL USB-A CHARGER & BLANK
35	FTKRSV - KRAMER ADAPTER PLATE TO SUIT "SV" xx MODULES	46	FTP2UACBK - TITAN FB PLATE F/W DUAL USB A&C QUALCOMM Q/CHARGER & BLANK
36	FTEXMAAPD2 - TITAN FLOOR BOX MAAP EXTRON ADAPTER PLATE DOUBLE	47	FT4LIDSC-UMB - SS SOFT CLOSE WITH INFILL FT4TP WITH AXESS UMBILICAL
37	FTKRW4 - TITAN FLOOR BOX KRAMER ADAPTER PLATE TO SUIT "W" xx QUAD MODULES	48	FTD4C1BK - TITAN 4 COMPARTMENT 4 DATA TILE KIT
38	FTSCD - SC DUPLEX PLATE	49	FTD4C2CBK - TITAN 4 COMPARTMENT 6 DATA TILE KIT
39	FTTAG - STARTER PLATE C/W REWIREABLE SOCKET	50	FTD8C2BK - TITAN 4 COMPARTMENT 8 DTAT TILE KIT
40	FTTAG2 - DOUBLE STARTER FULL PLATE - REWIREABLE SOCKETS	51	FTD4BPBK - TITAN 4 COMPARTMENT BLANK TILE KIT
41	FTAP2 - POWER PLATE F/W 2 x AUTO SWITCHED GPO WITH BACK BOX	52	FB4LIDGY-UMB - 4 COMPARTMENT PLASTIC LID WITH GALVANISED STEEL LID INSERT AND UMBILICAL GROMMET
42	FTAP215A - TITAN PLATE TO SUIT 2 x ROUND 15A GPO WITH BACK BOX	53	FTF4LIDSC-UMB - 4 COMPARTMENT STAINLESS SOFT CLOSE FLUSH LID WITH UMBILICAL GROMMET
43	FTAP2RE - POWER PLATE F/W 2 x AUTO SWITCHED ROUND EARTH GPO WITH BACK BOX		

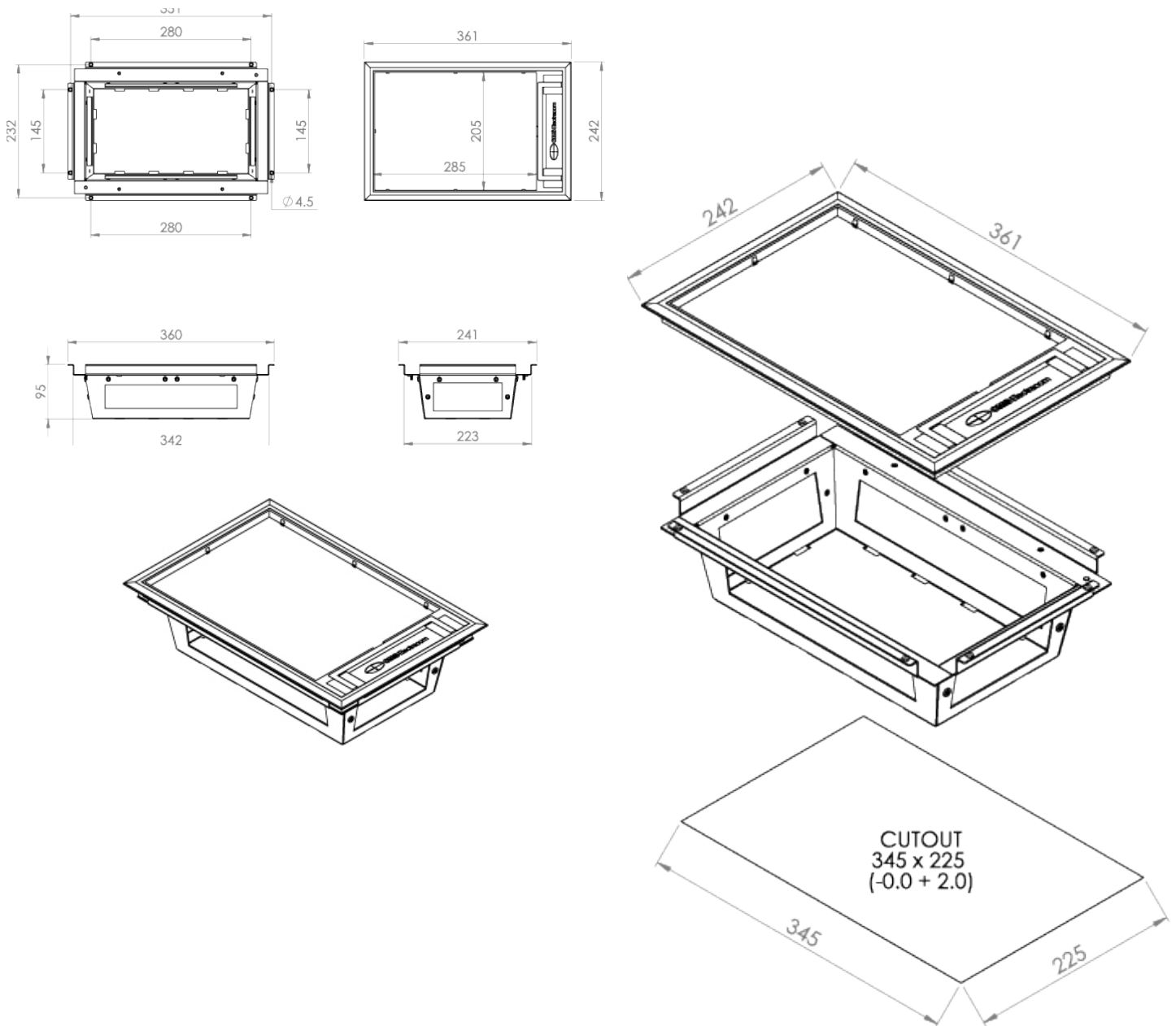
# TITAN FTA4

## Technical Specification

CMS Titan FTA4 access floorbox lid and undercarriage assembly. Lid manufactured from ABS Plastic with recess provision for carpet tile. Undercarriage manufactured from black powder-coated mild steel.

Load capacity: 120kg

ID No.	Part No. & Description
1	F4LID - APOLLO FLOORBOX PLASTIC LID
44	FTA4UC - FTA4 ACCESS UNDERCARRIAGE



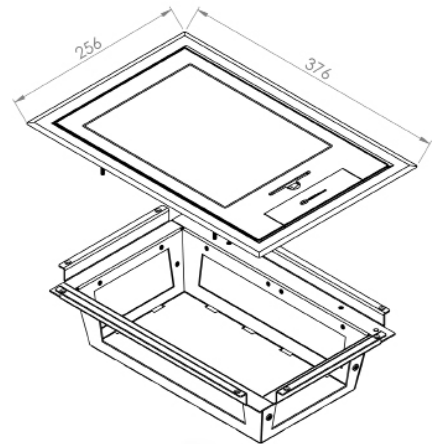
Disclaimer: CMS has made every attempt to ensure the accuracy and reliability of the information provided in this document are correct. All information contained in this document is to be used for general guidance only. CMS reserves the right to change, delete or modify the information without notice.

© CMS Electracom 2023

# TITAN FTA4SC

**LID:** Stainless steel with recess provision for carpet tile

**UNDERCARRIAGE:** Access Floor Assembly - 95mm Depth



## Lid Features

- Soft-closing lid with radius edges minimises risk of accidental impact and potential cable damage.
- 7mm lid recess for carpet tile insert.
- Easy-grab handle and functional cable exit when lid closed.
- Lock option available for security applications.

## Undercarriage Features

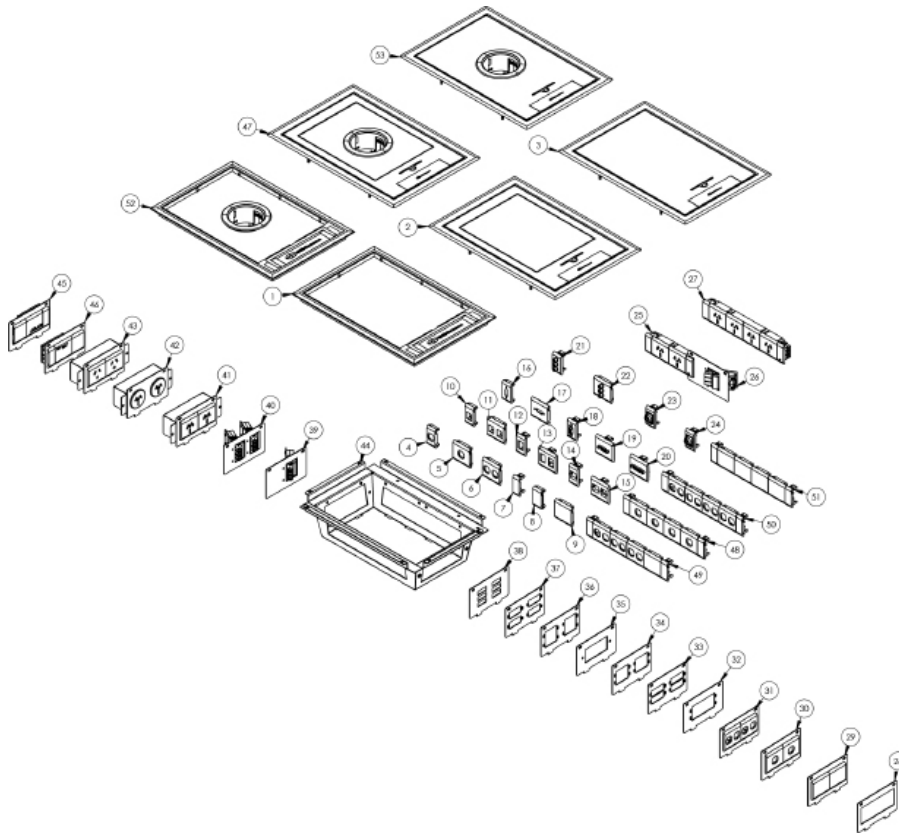
- Designed for AV Integration with Interchangeable mounting plates for Crestron, Extron, Kramer and AMX adapters.
- Wide range of modular soft/hardwired power, data and AV mounting plates.
- Durable galvanised screed box supplied with cover.
- CAT6, 6A and 7 Compliant.
- Custom brackets & plates available.
- Designed and manufactured in Australia.

## Technical Specification

<b>Floor application</b>	Access raised floor
<b>Cut-out dimension</b>	L345mm x W225mm x D95mm
<b>Lid dimension plus beveled edge</b>	L230mm x W174mm x D7mm
<b>Lid specification</b>	Stainless steel with recess provision for carpet tile insert.
<b>Undercarriage and screed box specification</b>	Undercarriage manufactured from black powder-coated mild steel.
<b>Weight rating</b>	150kg

# TITAN FTA4SC

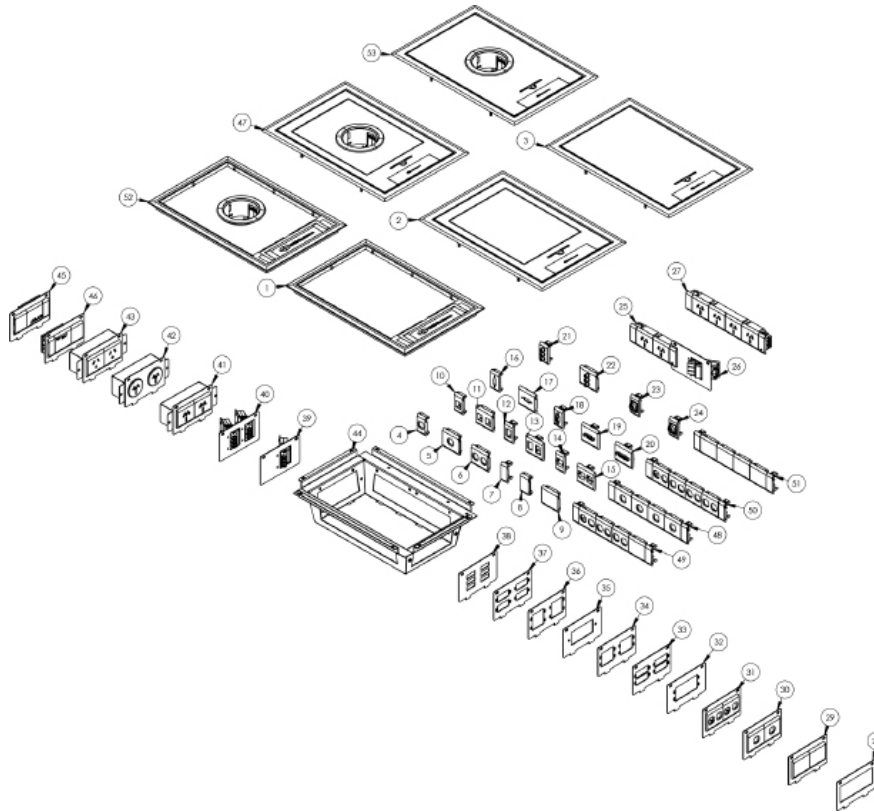
## Component List



No.	Part No & Description	No.	Part No & Description
1	F4LID - APOLLO FLOORBOX PLASTIC LID	17	SW18CDP1 - 50mm TILE WITH PROVISION FOR DISPLAY PORT
2	FT4LIDSC - STAINLESS SOFT-CLOSE FB4 RECESSED	18	SW18BVV - 25mm TILE F/W VGA MINI GENDER BENDER
3	FTF4LIDSC - STAINLESS SOFT-CLOSE FB4 FLUSH	19	SW18CVV - 50mm TILE F/W VGA MINI GENDER BENDER
4	SW18B1 - 25mm SINGLE DATA TILE	20	SW18CDVI - 50mm DATA TILE - F/W DVI FEMALE CONNECTOR
5	SW18C1 - 50mm SINGLE DATA TILE	21	
6	SW18C2 - 50mm DUAL DATA TILE	22	
7	SW18A - 18mm blank tile	23	SW18BX3 - 25mm TILE F/W MINI XLR 3 PIN PLUG WITH SOLDER CUPS
8	SW18B - 25mm blank tile	24	SW18BX4 - 25mm TILE F/W MINI XLR 4 PIN PLUG WITH SOLDER CUPS
9	SW18C - 50mm BLANK TILE	25	FTA1802L3 - DUAL AUTO SWITCHED POWER MODULE WITH REWIREABLE CONNECTOR
10	SW18B1K - 25mm SINGLE TILE TO SUIT KEYSTONE DATA	26	FTTAG+ - STARTER PLATE C/W REWIREABLE SOCKET (WITH OPENING TO SUIT ADJACENT CUT-OUT)
11	SW18CK2 - 50mm DUAL DATA TILE TO SUIT KEYSTONE JACKS	27	FTA1804L3 - QUAD AUTO SWITCHED POWER MODULE WITH REWIREABLE CONNECTOR
12	SW18B1SE - 25mm SINGLE TILE TO SUIT SIEMON DATA	28	FTBPP - TITAN 100mm BLANK PLATE
13	SW18C2SE - 50mm DUAL DATA TILE TO SUIT SIEMON JACKS	29	FTBP - TITAN BLANK PLATE F/W 2 x 50mm BLANK DATA TILES
14	SW18B1SM - 25mm SINGLE TILE TO SUIT SYSTIMAX DATA	30	FTD2 - ADAPTER PLATE TO SUIT 2 x 50mm SINGLE TILE (PROVISION 2 x DATA)
15	SW18C2SM - 50mm DUAL DATA TILE TO SUIT SYSTIMAX DATA	31	FTD4 - ADAPTER PLATE TO SUIT 2 x 50mm DUAL TILE (PROVISION 4 x DATA)
16	SW18BDP1 - 25mm TILE WITH PROVISION FOR DISPLAY PORT	32	FTEXAAP - AAP EXTRON ADAPTER PLATE TO SUIT 1 x DOUBLE OR 2 x SINGLE MODULES

# TITAN FTA4SC

## Component List



No.	Part No & Description	No.	Part No & Description
33	FTEXMAAP4 - TITAN FLOOR BOX MAAP EXTRON ADAPTER PLATE QUAD	44	FTA4UC - FTA4 ACCESS UNDERCARRIAGE
34	FTKRWD2 - TITAN FLOOR BOX KRAMER ADAPTER TO SUIT "W" xx DOUBLE MODULES	45	FTP2UBK - TITAN FB PLATE F/W DUAL USB-A CHARGER & BLANK
35	FTKRVS - KRAMER ADAPTER PLATE TO SUIT "SV" xx MODULES	46	FTP2UACBK - TITAN FB PLATE F/W DUAL USB A&C QUALCOMM Q/CHARGER & BLANK
36	FTEXMAAPD2 - TITAN FLOOR BOX MAAP EXTRON ADAPTER PLATE DOUBLE	47	FT4LIDSC-UMB - SS SOFT CLOSE WITH INFILL FT4TP WITH AXESS UMBILICAL
37	FTKRW4 - TITAN FLOOR BOX KRAMER ADAPTER PLATE TO SUIT "W" xx QUAD MODULES	48	FTD4C1BK - TITAN 4 COMPARTMENT 4 DATA TILE KIT
38	FTSCD - SC DUPLEX PLATE	49	FTD4C2CBK - TITAN 4 COMPARTMENT 6 DATA TILE KIT
39	FTTAG - STARTER PLATE C/W REWIREABLE SOCKET	50	FTD8C2BK - TITAN 4 COMPARTMENT 8 DTAT TILE KIT
40	FTTAG2 - DOUBLE STARTER FULL PLATE - REWIREABLE SOCKETS	51	FTD4BPBK - TITAN 4 COMPARTMENT BLANK TILE KIT
41	FTAP2 - POWER PLATE F/W 2 x AUTO SWITCHED GPO WITH BACK BOX	52	FB4LIDGY-UMB - 4 COMPARTMENT PLASTIC LID WITH GALVANISED STEEL LID INSERT AND UMBILICAL GROMMET
42	FTAP215A - TITAN PLATE TO SUIT 2 x ROUND 15A GPO WITH BACK BOX	53	FTF4LIDSC-UMB - 4 COMPARTMENT STAINLESS SOFT CLOSE FLUSH LID WITH UMBILICAL GROMMET
43	FTAP2RE - POWER PLATE F/W 2 x AUTO SWITCHED ROUND EARTH GPO WITH BACK BOX		

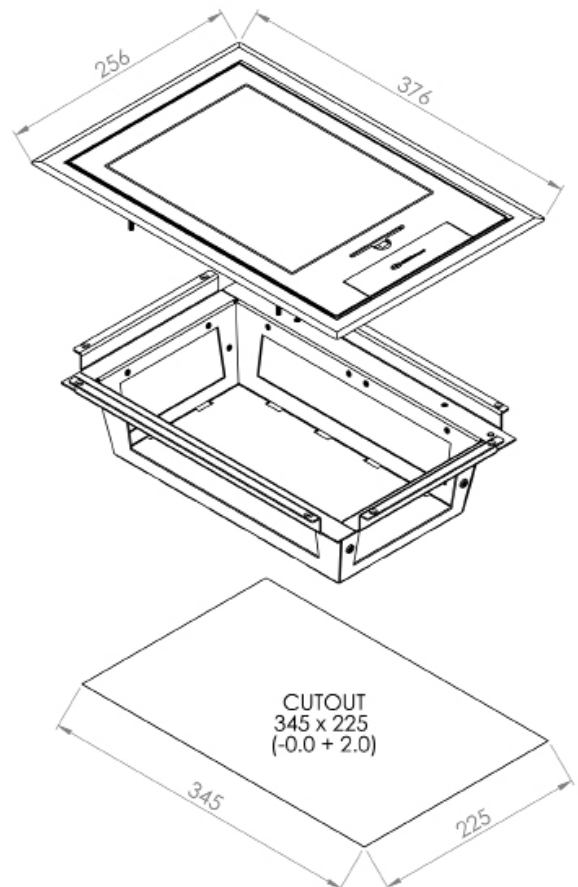
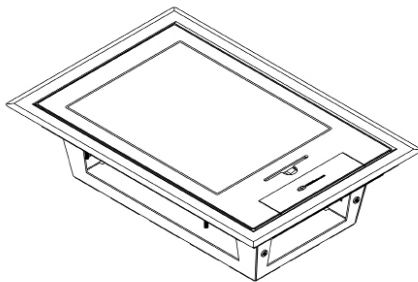
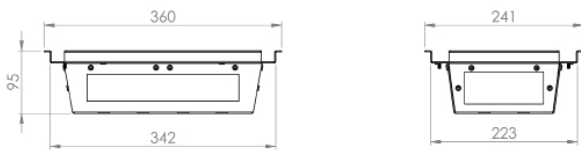
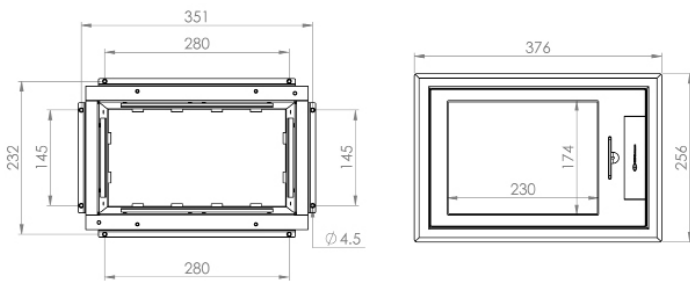
# TITAN FTA4SC

## Technical Specification

CMS Titan FTA4SC access floorbox lid and undercarriage. Lid manufactured from stainless steel with 7mm recess provision for carpet/tile Insert. Undercarriage manufactured from black powder-coated mild steel.

Load capacity: 150kg

ID No.	Part No. & Description
2	FT4LIDSC - STAINLESS SOFT-CLOSE FB4 RECESSED LID
44	FTA4UC - FTA4 ACCESS UNDERCARRIAGE

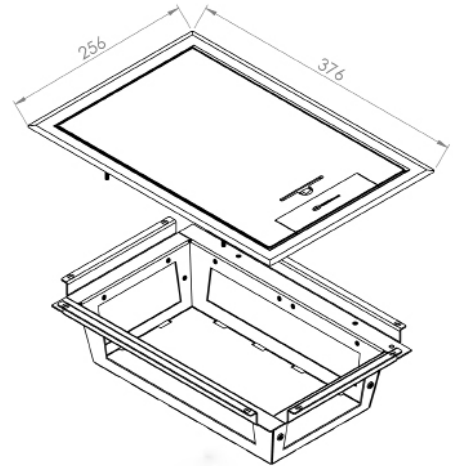
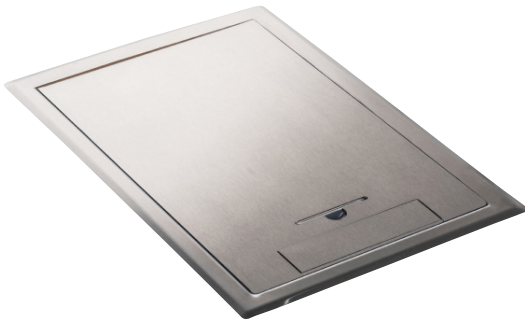




# TITAN FTFA4SC

**LID:** Stainless steel with flush lid

**UNDERCARRIAGE:** Access Floor Assembly - 95mm Depth



## Lid Features

- Soft-closing lid with radius edges minimises risk of accidental impact and potential cable damage.
- Easy-grab handle and functional cable exit when lid closed.
- Lock option available for security applications.

## Undercarriage Features

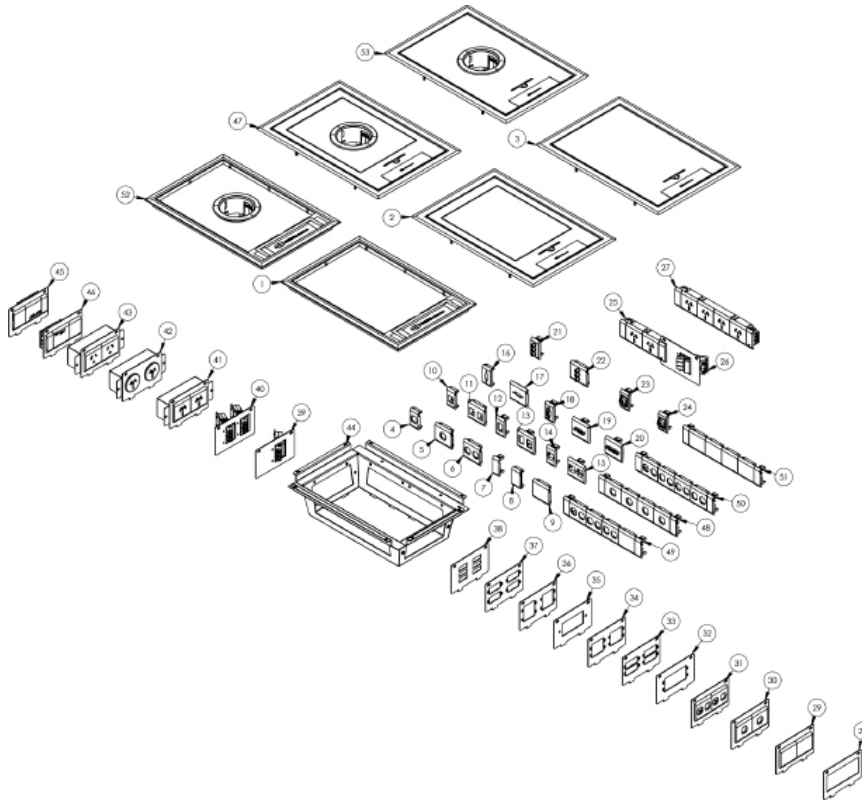
- Designed for AV Integration with Interchangeable mounting plates for Crestron, Extron, Kramer and AMX adapters.
- Wide range of modular soft/hardwired power, data and AV mounting plates.
- CAT6, 6A and 7 Compliant.
- Custom brackets & plates available.
- Designed and manufactured in Australia.

## Technical Specification

<b>Floor application</b>	Access raised floor
<b>Cut-out dimension</b>	L345mm x W225mm x D95mm
<b>Lid dimension plus beveled edge</b>	L376mm x W256mm
<b>Lid specification</b>	Stainless steel with flush lid.
<b>Undercarriage and screed box specification</b>	Undercarriage manufactured from black powder-coated mild steel.
<b>Weight rating</b>	150kg

# TITAN FTFA4SC

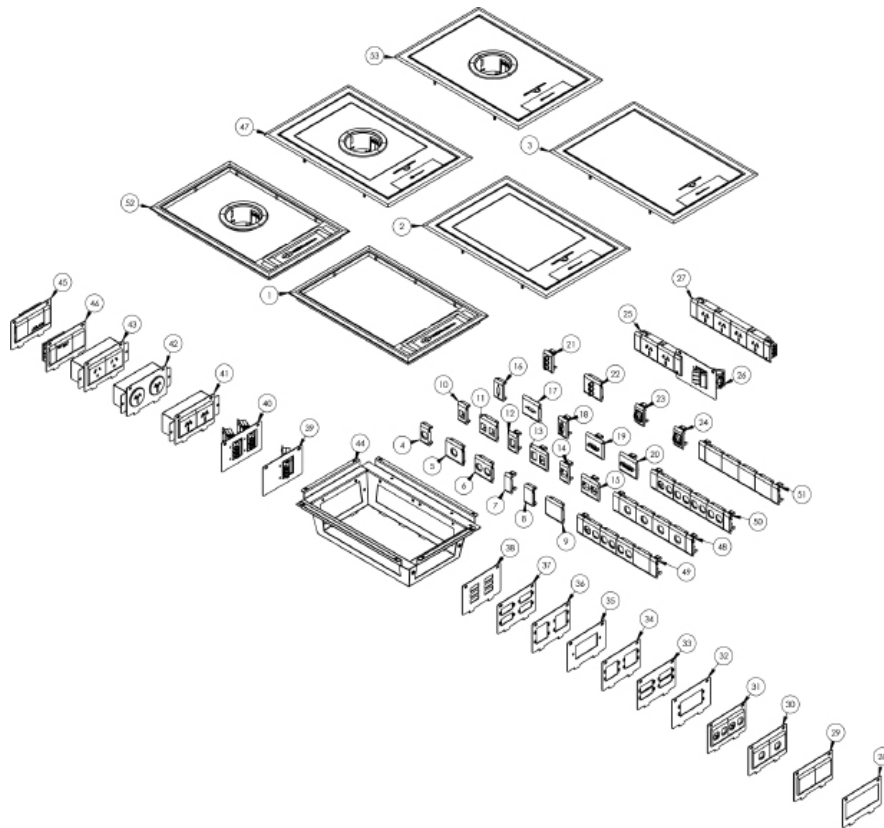
## Component List



No.	Part No & Description	No.	Part No & Description
1	F4LID - APOLLO FLOORBOX PLASTIC LID	17	SW18CDP1 - 50mm TILE WITH PROVISION FOR DISPLAY PORT
2	FT4LIDSC - STAINLESS SOFT-CLOSE FB4 RECESSED	18	SW18BVV - 25mm TILE F/W VGA MINI GENDER BENDER
3	FTF4LIDSC - STAINLESS SOFT-CLOSE FB4 FLUSH	19	SW18CVV - 50mm TILE F/W VGA MINI GENDER BENDER
4	SW18B1 - 25mm SINGLE DATA TILE	20	SW18CDVI - 50mm DATA TILE - F/W DVI FEMALE CONNECTOR
5	SW18C1 - 50mm SINGLE DATA TILE	21	
6	SW18C2 - 50mm DUAL DATA TILE	22	
7	SW18A - 18mm blank tile	23	SW18BX3 - 25mm TILE F/W MINI XLR 3 PIN PLUG WITH SOLDER CUPS
8	SW18B - 25mm blank tile	24	SW18BX4 - 25mm TILE F/W MINI XLR 4 PIN PLUG WITH SOLDER CUPS
9	SW18C - 50mm BLANK TILE	25	FTA1802L3 - DUAL AUTO SWITCHED POWER MODULE WITH REWIREABLE CONNECTOR
10	SW18B1K - 25mm SINGLE TILE TO SUIT KEYSTONE DATA	26	FTTAG+ - STARTER PLATE C/W REWIREABLE SOCKET (WITH OPENING TO SUIT ADJACENT CUT-OUT)
11	SW18CK2 - 50mm DUAL DATA TILE TO SUIT KEYSTONE JACKS	27	FTA1804L3 - QUAD AUTO SWITCHED POWER MODULE WITH REWIREABLE CONNECTOR
12	SW18B1SE - 25mm SINGLE TILE TO SUIT SIEMON DATA	28	FTBPP - TITAN 100mm BLANK PLATE
13	SW18C2SE - 50mm DUAL DATA TILE TO SUIT SIEMON JACKS	29	FTBP - TITAN BLANK PLATE F/W 2 x 50mm BLANK DATA TILES
14	SW18B1SM - 25mm SINGLE TILE TO SUIT SYSTIMAX DATA	30	FTD2 - ADAPTER PLATE TO SUIT 2 x 50mm SINGLE TILE (PROVISION 2 x DATA)
15	SW18C2SM - 50mm DUAL DATA TILE TO SUIT SYSTIMAX DATA	31	FTD4 - ADAPTER PLATE TO SUIT 2 x 50mm DUAL TILE (PROVISION 4 x DATA)
16	SW18BDP1 - 25mm TILE WITH PROVISION FOR DISPLAY PORT	32	FTEXAAP - AAP EXTRON ADAPTER PLATE TO SUIT 1 x DOUBLE OR 2 x SINGLE MODULES

# TITAN FTFA4SC

## Component List



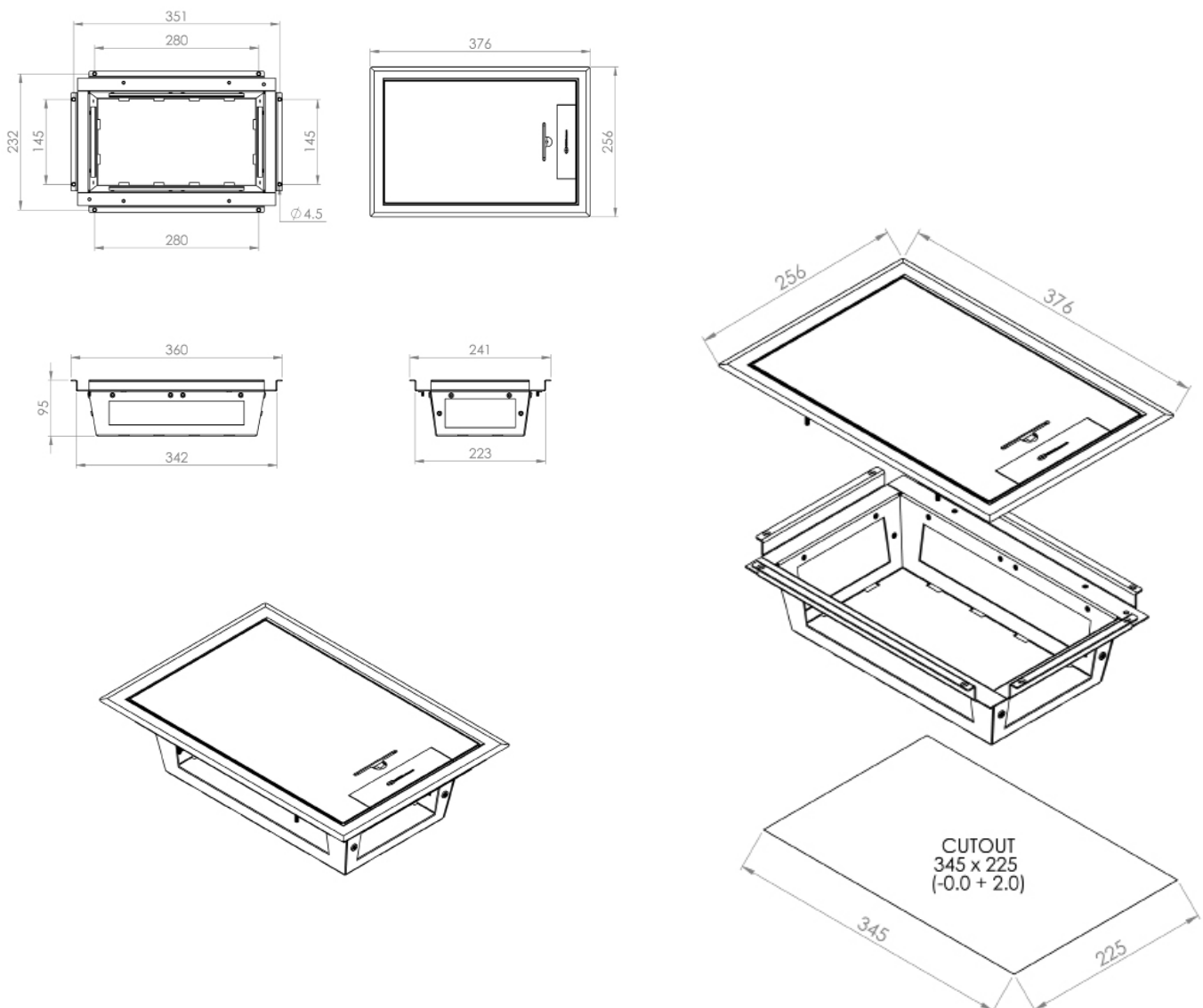
No.	Part No & Description	No.	Part No & Description
33	FTEXMAAP4 - TITAN FLOOR BOX MAAP EXTRON ADAPTER PLATE QUAD	44	FTA4UC - FTA4 ACCESS UNDERCARRIAGE
34	FTKRWD2 - TITAN FLOOR BOX KRAMER ADAPTER TO SUIT "W" xx DOUBLE MODULES	45	FTP2UBK - TITAN FB PLATE F/W DUAL USB-A CHARGER & BLANK
35	FTKRVS - KRAMER ADAPTER PLATE TO SUIT "SV" xx MODULES	46	FTP2UACBK - TITAN FB PLATE F/W DUAL USB A&C QUALCOMM Q/CHARGER & BLANK
36	FTEXMAAPD2 - TITAN FLOOR BOX MAAP EXTRON ADAPTER PLATE DOUBLE	47	FT4LIDSC-UMB - SS SOFT CLOSE WITH INFILL FT4TP WITH AXESS UMBILICAL
37	FTKRW4 - TITAN FLOOR BOX KRAMER ADAPTER PLATE TO SUIT "W" xx QUAD MODULES	48	FTD4C1BK - TITAN 4 COMPARTMENT 4 DATA TILE KIT
38	FTSCD - SC DUPLEX PLATE	49	FTD4C2CBK - TITAN 4 COMPARTMENT 6 DATA TILE KIT
39	FTTAG - STARTER PLATE C/W REWIREABLE SOCKET	50	FTD8C2BK - TITAN 4 COMPARTMENT 8 DTAT TILE KIT
40	FTTAG2 - DOUBLE STARTER FULL PLATE - REWIREABLE SOCKETS	51	FTD4BPBK - TITAN 4 COMPARTMENT BLANK TILE KIT
41	FTAP2 - POWER PLATE F/W 2 x AUTO SWITCHED GPO WITH BACK BOX	52	FB4LIDGY-UMB - 4 COMPARTMENT PLASTIC LID WITH GALVANISED STEEL LID INSERT AND UMBILICAL GROMMET
42	FTAP215A - TITAN PLATE TO SUIT 2 x ROUND 15A GPO WITH BACK BOX	53	FTF4LIDSC-UMB - 4 COMPARTMENT STAINLESS SOFT CLOSE FLUSH LID WITH UMBILICAL GROMMET
43	FTAP2RE - POWER PLATE F/W 2 x AUTO SWITCHED ROUND EARTH GPO WITH BACK BOX		

# TITAN FTFA4SC

## Technical Specification

CMS Titan FTFA4SC access floorbox lid and undercarriage assembly. Lid manufactured with soft-closing lid and radius edges minimises risk of accidental impact and potential cable damage. Undercarriage manufactured from black powder-coated mild steel. Load capacity: 150kg

ID No.	Part No. & Description
3	FTF4LIDSC - STAINLESS SOFT-CLOSE FB4 FLUSH LID
44	FTA4UC - FTA4 ACCESS UNDERCARRIAGE



Disclaimer: CMS has made every attempt to ensure the accuracy and reliability of the information provided in this document are correct. All information contained in this document is to be used for general guidance only. CMS reserves the right to change, delete or modify the information without notice.  
© CMS Electracom 2023