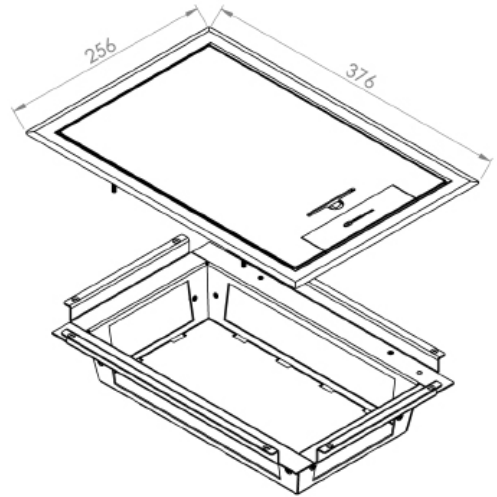


# TITAN FTFA4SC-75

**LID:** Stainless steel with flush lid

**UNDERCARRIAGE:** Low Profile Access Floor Assembly - 75mm Depth



## Lid Features

- Soft-closing lid with radius edges minimises risk of accidental impact and potential cable damage.
- Easy-grab handle and functional cable exit when lid closed.
- Lock option available for security applications.

## Undercarriage Features

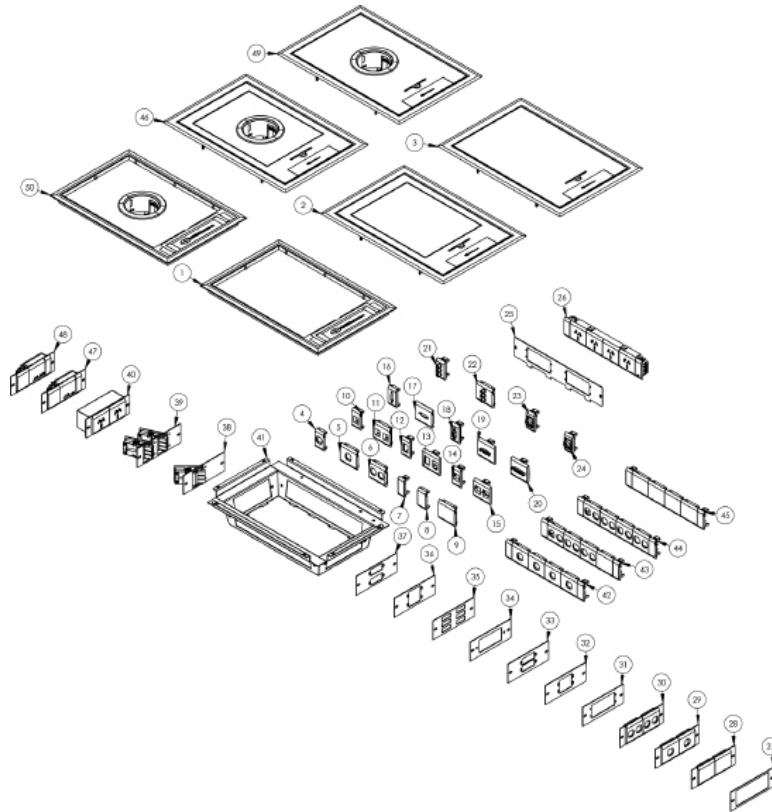
- Designed for AV Integration with Interchangeable mounting plates for Crestron, Extron, Kramer and AMX adapters.
- Wide range of modular soft/hardwired power, data and AV mounting plates.
- CAT6, 6A and 7 Compliant.
- Custom brackets & plates available.
- Designed and manufactured in Australia.

## Technical Specification

<b>Floor application</b>	Access raised floor
<b>Cut-out dimension</b>	L345mm x W225mm x D75mm
<b>Lid dimension plus beveled edge</b>	L376mm x W256mm
<b>Lid specification</b>	Stainless steel with flush lid
<b>Undercarriage and screed box specification</b>	Undercarriage manufactured from black powder-coated mild steel
<b>Weight rating</b>	150kg

# TITAN FTFA4SC-75

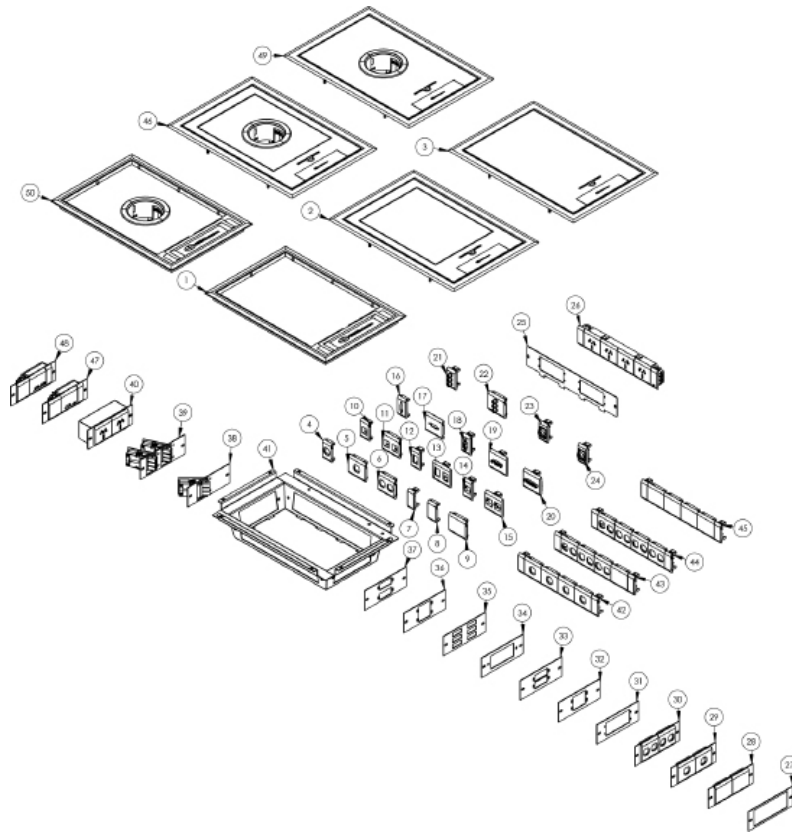
## Component List



No.	Part No & Description	No.	Part No & Description
1	F4LID - APOLLO FLOORBOX PLASTIC LID	17	SW18CDP1 - 50mm TILE WITH PROVISION FOR DISPLAY PORT
2	FT4LIDSC - STAINLESS SOFT-CLOSE FB4 RECESSED	18	SW18BVV - 25mm TILE F/W VGA MINI GENDER BENDER
3	FTF4LIDSC - STAINLESS SOFT-CLOSE FB4 FLUSH	19	SW18CVV - 50mm TILE F/W VGA MINI GENDER BENDER
4	SW18B1 - 25mm SINGLE DATA TILE	20	SW18CDVI - 50mm DATA TILE - F/W DVI FEMALE CONNECTOR
5	SW18C1 - 50mm SINGLE DATA TILE	21	
6	SW18C2 - 50mm DUAL DATA TILE	22	
7	SW18A - 18mm blank tile	23	SW18BX3 - 25mm TILE F/W MINI XLR 3 PIN PLUG WITH SOLDER CUPS
8	SW18B - 25mm blank tile	24	SW18BX4 - 25mm TILE F/W MINI XLR 4 PIN PLUG WITH SOLDER CUPS
9	SW18C - 50mm BLANK TILE	25	FTLPEX2AAP - APP EXTRON PLATE TO SUIT 2 x DOUBLES OR 4 x SINGLE MODULES
10	SW18B1K - 25mm SINGLE TILE TO SUIT KEYSTONE DATA	26	FTA1804L3 - QUAD AUTO SWITCHED POWER MODULE WITH REWIRABLE CONNECTOR
11	SW18CK2 - 50mm DUAL DATA TILE TO SUIT KEYSTONE JACKS	27	FTLPBPP - LOW PROFILE TITAN 100MM BLANK PLATE
12	SW18B1SE - 25mm SINGLE TILE TO SUIT SIEMON DATA	28	FTLPBP - TITAN LOW PROFILE BLANK PLATE F/W 2 x 50mm BLANK DATA TILES
13	SW18C2SE - 50mm DUAL DATA TILE TO SUIT SIEMON JACKS	29	FTDLP2 - TITAN LOW PROFILE DATA PLATE F/W 2 x 50mm SINGLE DATA PROVISION TILES
14	SW18B1SM - 25mm SINGLE TILE TO SUIT SYSTIMAX DATA	30	FTDLP4 - TITAN LOW PROFILE DATA PLATE F/W 2 x 50mm DOUBLE DATA PROVISION TILES
15	SW18C2SM - 50mm DUAL DATA TILE TO SUIT SYSTIMAX DATA	31	FTLPEXAAP - AAP EXTRON ADAPTER PLATE TO SUIT 1 x DOUBLE OR 2 x SINGLES
16	SW18BDP1 - 25mm TILE WITH PROVISION FOR DISPLAY PORT	32	FTLPEXMAAP2 - TITAN FLOOR BOX MAAP EXTRON PLATE SINGLE

# TITAN FTFA4SC-75

## Component List



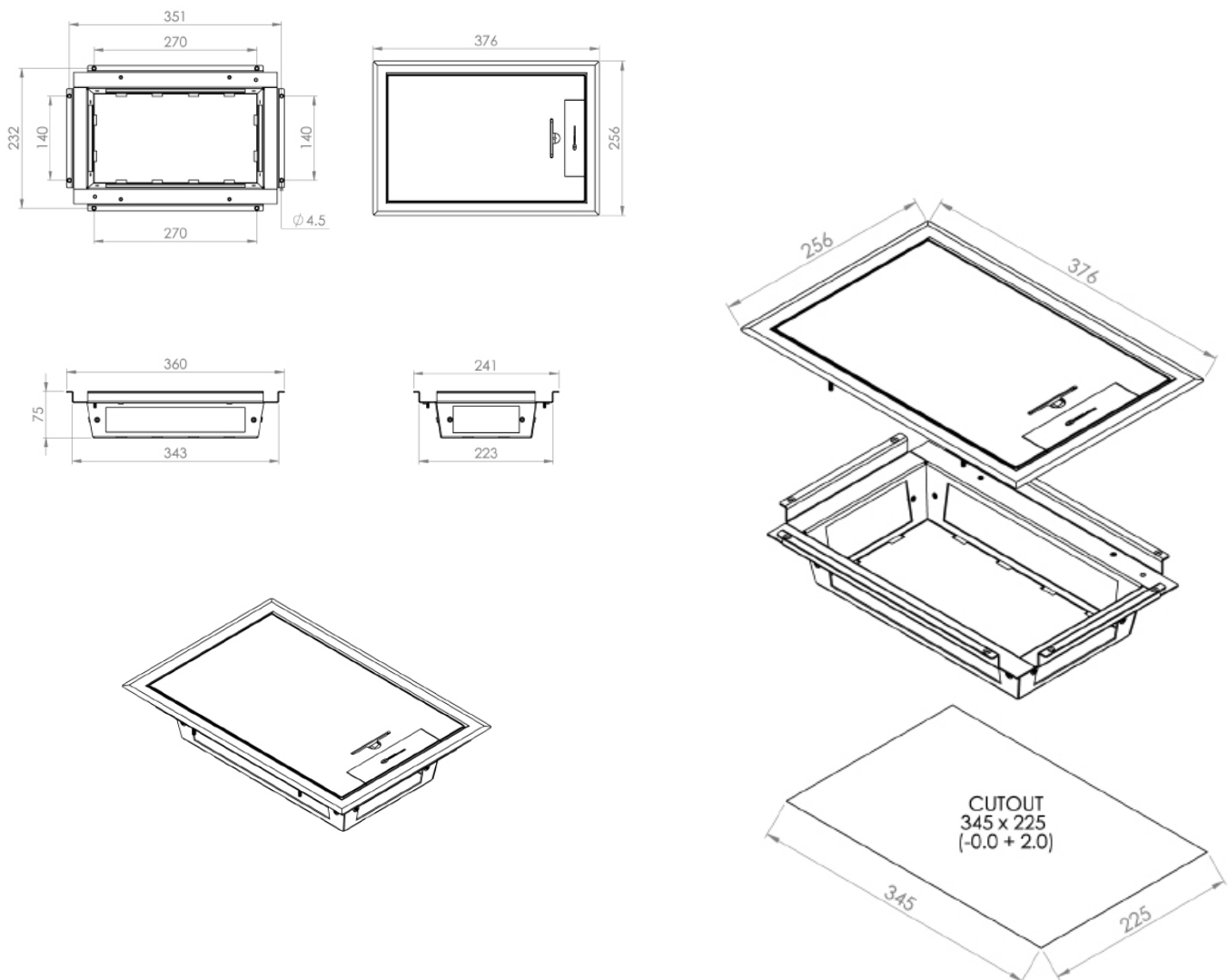
No.	Part No & Description	No.	Description
33	FTLPEXMAAPD - TITAN FLOORBOX MAAP EXTRON ADAPTER DOUBLE	42	FTD4C1BK - TITAN 4 COMPARTMENT 4 DATA TILE KIT
34	FTLPKRSV - KRAMER ADAPTER PLATE TO SUIT SV301 OR SV306	43	FTD4C2CBK - TITAN 4 COMPARTMENT 6 DATA TILE KIT
35	FTLPSCD - SC DUPLEX PLATE ADAPTER PLATE TO SUIT 75mm DEEP BOX	44	FTD8C2BK - TITAN 4 COMPARTMENT 8 DTAT TILE KIT
36	FTLPKRW2 - KRAMER ADAPTER PLATE TO SUIT "W" xx DOUBLE MODULES	45	FTD4BPBK - TITAN 4 COMPARTMENT BLANK TILE KIT
37	FTLPKRWD - KRAMER ADAPTER PLATE TO SUIT DOUBLE MODULES	46	FT4LIDSC-UMB - 4 COMPARTMENT STAINLESS SOFT CLOSE RECESSED LID AND UMBILICAL GROMMET
38	FTLPTAGBK - LOW PROFILE STARTER FULL PLATE C/W SINGLE REWIREABLE SOCKET	47	FTLPUAC3BK - TITAN LOW PROFILE POWER PLATE F/W DUAL USB QUALCOMM TYPE A&C 30W Q/CHARGER
39	FTLPTAG2 - LOW PROFILE STARTER FULL PLATE C/W DOUBLE REWIREABLE SOCKETS	48	FTLP2UBK - TITAN FB PLATE F/W DUAL USB-A CHARGER & BLANK
40	FTLPPA2 - LOW PROFILE POWER PLATE F/W 2 x AUTO SWITCHED GPO WITH BACK BOX	49	FTF4LIDSC-UMB - 4 COMPARTMENT STAINLESS SOFT CLOSE FLUSH LID WITH UMBILICAL GROMMET
41	FTA475-UC - FT4 LOW PROFILE UNDERCARRIAGE	50	FT4LIDGY-UMB - 4 COMPARTMENT PLASTIC LID WITH GALVANISED STEEL LID INSERT AND UMBILICAL GROMMET

# TITAN FTFA4SC-75

## Technical Specification

CMS Titan FTFA4SC-75 low profile access floorbox lid and undercarriage assembly. Lid manufactured with soft-closing lid and radius edges minimises risk of accidental impact and potential cable damage. Undercarriage manufactured from black powder-coated mild steel. Load capacity: 150kg

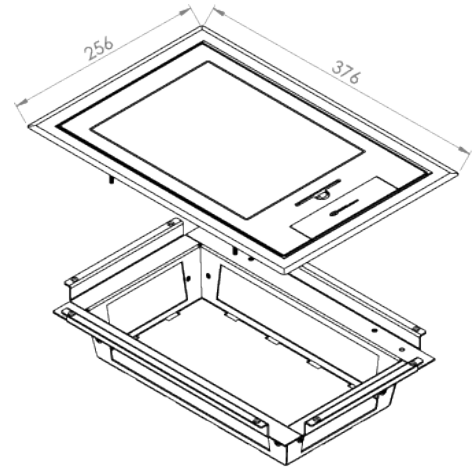
ID No.	Part No. & Description
3	FTF4LIDSC - STAINLESS SOFT-CLOSE FB4 FLUSH LID
41	FTA475-UC - FT4 LOW PROFILE UNDERCARRIAGE



# TITAN FTA4SC-75

**LID:** Stainless steel with recess provision for carpet tile

**UNDERCARRIAGE:** Low Profile Access Floor Assembly - 75mm Depth



## Lid Features

- Soft-closing lid with radius edges minimises risk of accidental impact and potential cable damage
- 7mm lid recess for carpet or vinyl tile.
- Easy-grab handle and functional cable exit when lid closed.
- Lock option available for security applications.

## Undercarriage Features

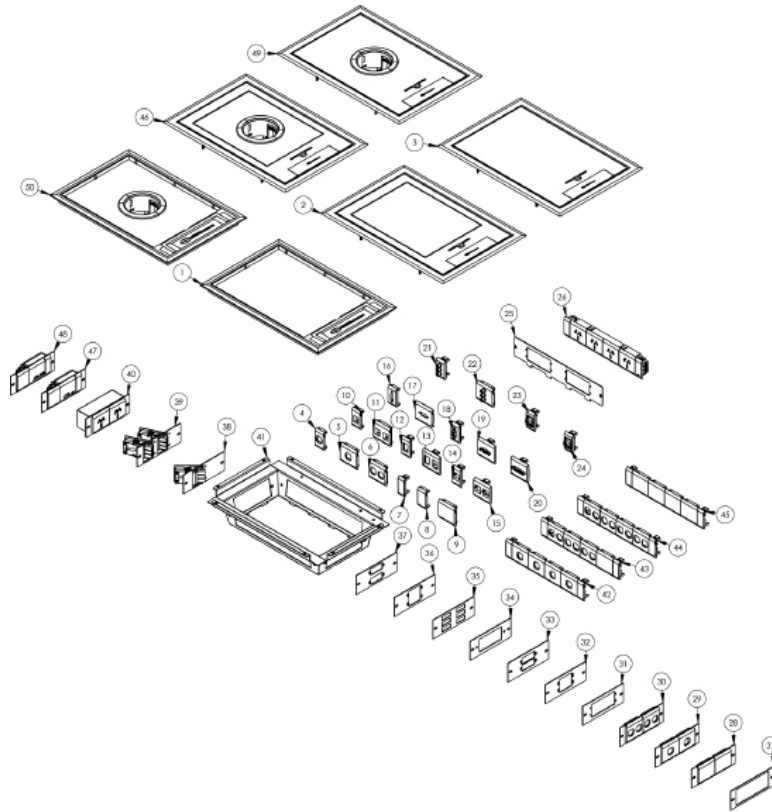
- Designed for AV Integration with Interchangeable mounting plates for Crestron, Extron, Kramer and AMX adapters.
- Wide range of modular soft/hardwired power, data and AV mounting plates.
- Durable galvanised screed box supplied with cover.
- CAT6, 6A and 7 Compliant.
- Custom brackets & plates available.
- Designed and manufactured in Australia.

## Technical Specification

<b>Floor application</b>	Access raised floor
<b>Cut-out dimension</b>	L345mm x W225mm x D75mm
<b>Lid recess dimension</b>	L230mm x W174mm x D7mm
<b>Lid specification</b>	Stainless steel with recess provision for carpet tile insert.
<b>Undercarriage and screed box specification</b>	Undercarriage manufactured from black powder-coated mild steel.
<b>Weight rating</b>	150kg

# TITAN FTA4SC-75

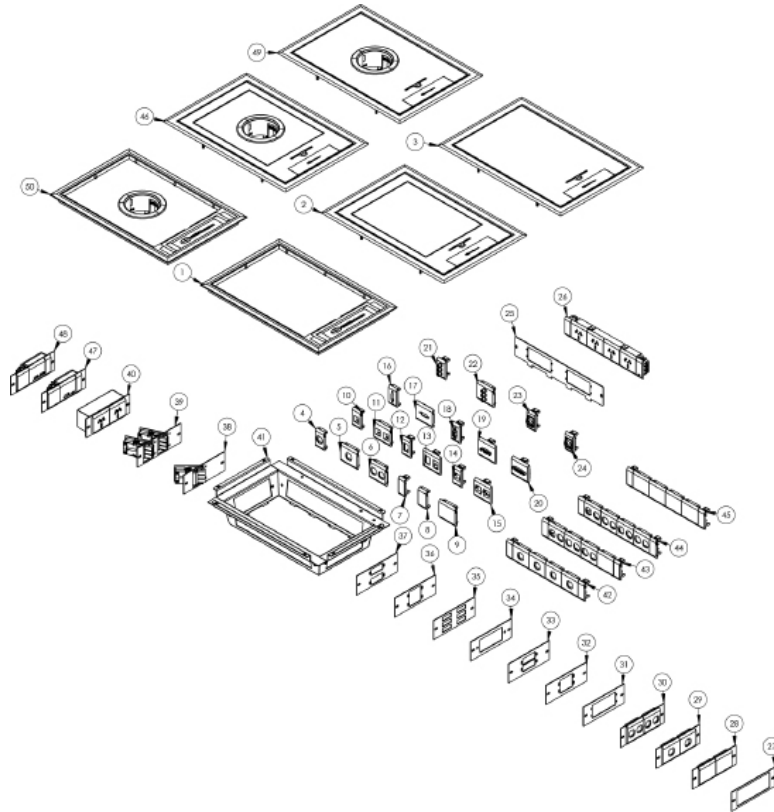
## Component List



No.	Part No & Description	No.	Part No & Description
1	F4LID - APOLLO FLOORBOX PLASTIC LID	17	SW18CDP1 - 50mm TILE WITH PROVISION FOR DISPLAY PORT
2	FT4LIDSC - STAINLESS SOFT-CLOSE FB4 RECESSED	18	SW18BVV - 25mm TILE F/W VGA MINI GENDER BENDER
3	FTF4LIDSC - STAINLESS SOFT-CLOSE FB4 FLUSH	19	SW18CVV - 50mm TILE F/W VGA MINI GENDER BENDER
4	SW18B1 - 25mm SINGLE DATA TILE	20	SW18CDVI - 50mm DATA TILE - F/W DVI FEMALE CONNECTOR
5	SW18C1 - 50mm SINGLE DATA TILE	21	
6	SW18C2 - 50mm DUAL DATA TILE	22	
7	SW18A - 18mm blank tile	23	SW18BX3 - 25mm TILE F/W MINI XLR 3 PIN PLUG WITH SOLDER CUPS
8	SW18B - 25mm blank tile	24	SW18BX4 - 25mm TILE F/W MINI XLR 4 PIN PLUG WITH SOLDER CUPS
9	SW18C - 50mm BLANK TILE	25	FTLPEX2AAP - APP EXTRON PLATE TO SUIT 2 x DOUBLES OR 4 x SINGLE MODULES
10	SW18B1K - 25mm SINGLE TILE TO SUIT KEYSTONE DATA	26	FTA1804L3 - QUAD AUTO SWITCHED POWER MODULE WITH REWIRABLE CONNECTOR
11	SW18CK2 - 50mm DUAL DATA TILE TO SUIT KEYSTONE JACKS	27	FTLPBPP - LOW PROFILE TITAN 100MM BLANK PLATE
12	SW18B1SE - 25mm SINGLE TILE TO SUIT SIEMON DATA	28	FTLPBP - TITAN LOW PROFILE BLANK PLATE F/W 2 x 50mm BLANK DATA TILES
13	SW18C2SE - 50mm DUAL DATA TILE TO SUIT SIEMON JACKS	29	FTDLP2 - TITAN LOW PROFILE DATA PLATE F/W 2 x 50mm SINGLE DATA PROVISION TILES
14	SW18B1SM - 25mm SINGLE TILE TO SUIT SYSTIMAX DATA	30	FTDLP4 - TITAN LOW PROFILE DATA PLATE F/W 2 x 50mm DOUBLE DATA PROVISION TILES
15	SW18C2SM - 50mm DUAL DATA TILE TO SUIT SYSTIMAX DATA	31	FTLPEXAAP - AAP EXTRON ADAPTER PLATE TO SUIT 1 x DOUBLE OR 2 x SINGLES
16	SW18BDP1 - 25mm TILE WITH PROVISION FOR DISPLAY PORT	32	FTLPEXMAAP2 - TITAN FLOOR BOX MAAP EXTRON PLATE SINGLE

# TITAN FTA4SC-75

## Component List



No.	Part No & Description	No.	Part No & Description
33	FTLPEXMAAPD - TITAN FLOORBOX MAAP EXTRON ADAPTER DOUBLE	42	FTD4C1BK - TITAN 4 COMPARTMENT 4 DATA TILE KIT
34	FTLPKRSV - KRAMER ADAPTER PLATE TO SUIT SV301 OR SV306	43	FTD4C2CBK - TITAN 4 COMPARTMENT 6 DATA TILE KIT
35	FTLPSCD - SC DUPLEX PLATE ADAPTER PLATE TO SUIT 75mm DEEP BOX	44	FTD8C2BK - TITAN 4 COMPARTMENT 8 DTAT TILE KIT
36	FTLPKRW2 - KRAMER ADAPTER PLATE TO SUIT "W" xx DOUBLE MODULES	45	FTD4BPBK - TITAN 4 COMPARTMENT BLANK TILE KIT
37	FTLPKRWD - KRAMER ADAPTER PLATE TO SUIT DOUBLE MODULES	46	FT4LIDSC-UMB - 4 COMPARTMENT STAINLESS SOFT CLOSE RECESSED LID AND UMBILICAL GROMMET
38	FTLPTAGBK - LOW PROFILE STARTER FULL PLATE C/W SINGLE REWIREABLE SOCKET	47	FTLPUAC3BK - TITAN LOW PROFILE POWER PLATE F/W DUAL USB QUALCOMM TYPE A&C 30W Q/CHARGER
39	FTLPTAG2 - LOW PROFILE STARTER FULL PLATE C/W DOUBLE REWIREABLE SOCKETS	48	FTLP2UBK - TITAN FB PLATE F/W DUAL USB-A CHARGER & BLANK
40	FTLPPA2 - LOW PROFILE POWER PLATE F/W 2 x AUTO SWITCHED GPO WITH BACK BOX	49	FTF4LIDSC-UMB - 4 COMPARTMENT STAINLESS SOFT CLOSE FLUSH LID WITH UMBILICAL GROMMET
41	FTA475-UC - FT4 LOW PROFILE UNDERCARRIAGE	50	FT4LIDGY-UMB - 4 COMPARTMENT PLASTIC LID WITH GALVANISED STEEL LID INSERT AND UMBILICAL GROMMET

# TITAN FTA4SC-75

## Technical Specification

CMS Titan FTA4SC-75 low profile access floorbox lid and undercarriage. Lid manufactured from stainless steel with 7mm recess provision for carpet tile Insert. Undercarriage manufactured from black powder-coated mild steel. Load capacity: 150kg

ID No.	Part No. & Description
2	FT4LIDSC - STAINLESS SOFT-CLOSE FB4 RECESSED LID
41	FTA475-UC - FT4 LOW PROFILE UNDERCARRIAGE

