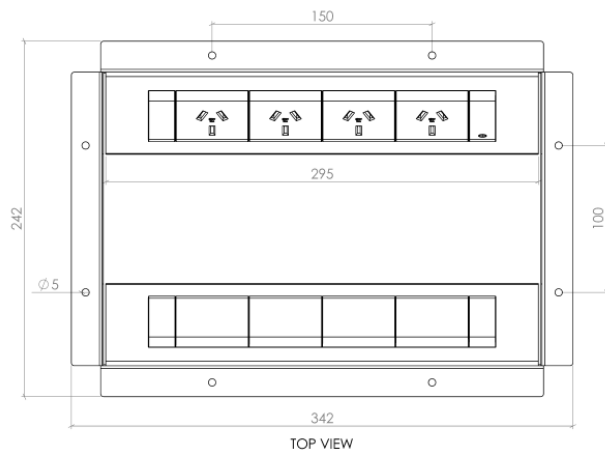
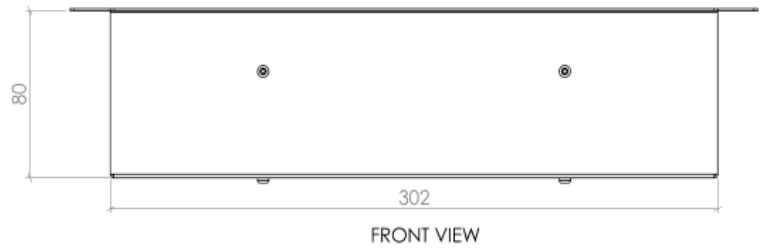
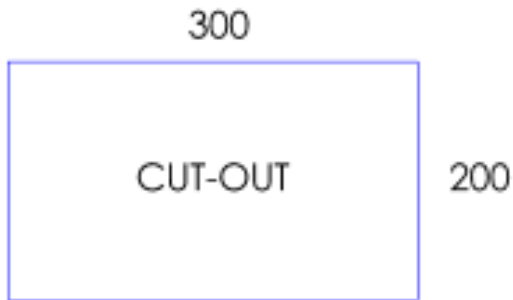


# In Desk Box Application

Type: Undercarriage

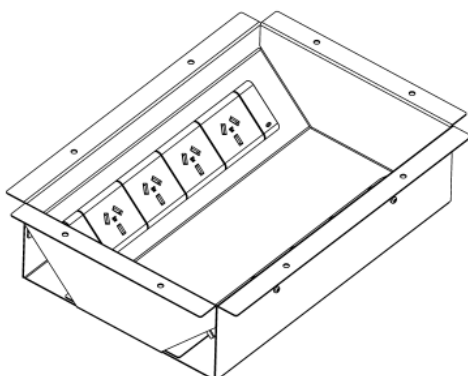
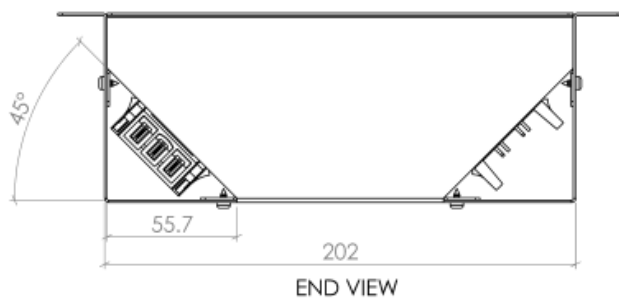
Part No: UC-01



**STEP 1:** CREATE CUT OUT IN TABLE TO SUIT SPECIFIC BOX

**STEP 2:** POSITION BOX UNDERNEATH THE TABLE

**STEP 3:** SCREW FIX INTO POSITION



FOR MORE INFORMATION GO TO:

[www.cmselectra.com](http://www.cmselectra.com)