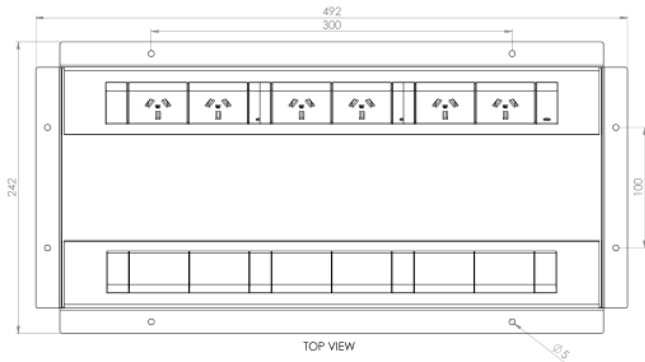
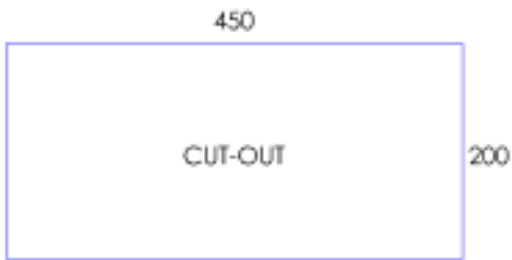


In Desk Box Application

Type: Undercarriage

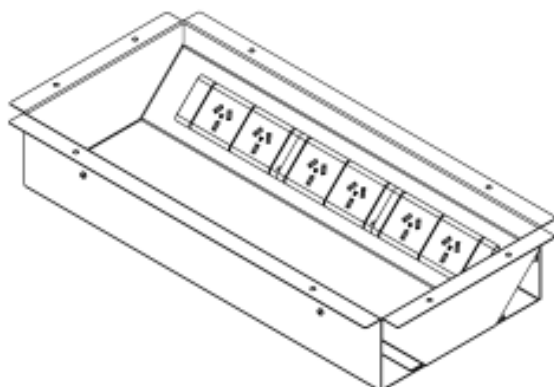
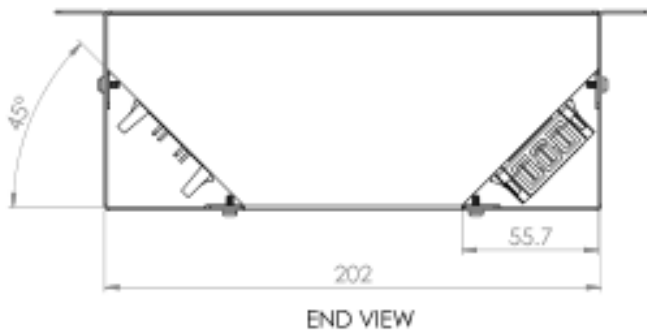
Part No: UC-02



STEP 1: CREATE CUT OUT IN TABLE TO SUIT SPECIFIC BOX

STEP 2: POSITION BOX UNDERNEATH THE TABLE

STEP 3: SCREW FIX INTO POSITION



FOR MORE INFORMATION GO TO:
www.cmselectra.com