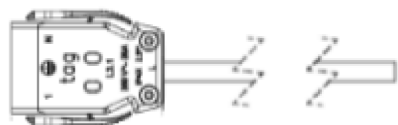


NOTE:

 CABLE TYPE: 2.5MM²
 PART NUMBER:
 DESCRIPTION: TAG CONNECTOR
 LENGTH: 500MM


1	RELEASED FOR PRODUCTION	16/11/2017	JC	AP
REV	DESCRIPTION	DATE	DRWN	APPV
REVISIONS				

CUSTOMER SIGNATURE:
MATERIAL: ALUMINIUM / PLASTIC
FINISH: ANODISED / TEXTURED
COLOUR: SILVER / WHITE
THIS DRAWING & ASSOCIATED CAD FILES ARE ISSUED IN THE STRICTEST CONFIDENCE AND ARE ONLY TO BE USED IN THE COMMERCIAL INTERESTS OF CMS ELECTRACOM PTY LTD

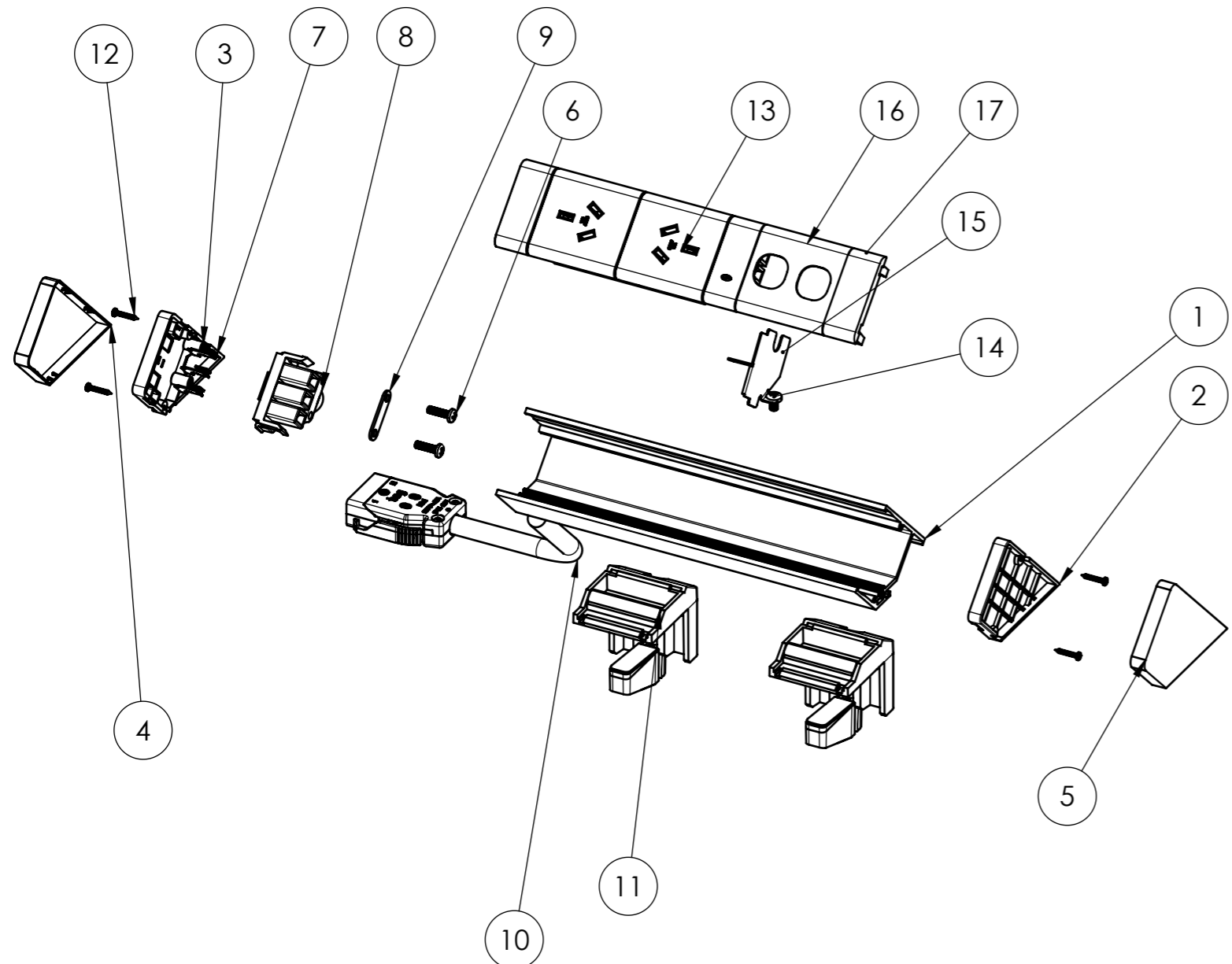
TOLERANCES UNLESS OTHERWISE STATED:

X ±0.5
 X.X ±0.2
 X.XX ±0.1
 X.XXX ±0.05
 ANG ±0.5°

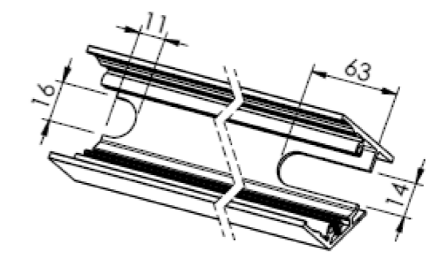
DRAWN IN mm TO AS1100 DO NOT SCALE

 CMS Electracom COPYRIGHT © 2015	
TITLE: ATHENA 2 WITH SW1802R + 2 DATA	
DRAWING: LU22946	REV: 1
SCALE 1:2	SHEET 1 OF 2

A3



ROUTING DETAIL - LU9296



ATHENA POWER / DATA EXIT CUTOUT
 LEFT SIDE - POWER
 RIGHT SIDE - TO SUIT 2 x DATA
 NOT TO SCALE

ITEM NO.	PART NUMBER	QTY.
1	205mm Athena MK2 extrusion	1
2	LU9423_Athena Inner End Cap RH	1
3	LU9424 Athena MK2 inner endcap LH	1
4	LU16686_Athena Outer End Cap LH	1
5	LU16685_Athena Outer End Cap RH	1
6	6G x 1/2" pan head screw (P/N 7021604)	2
7	LU15229 Contact Spring	3
8	LU16653_Athena Tag Connector	1
9	LU18107_Athena Clamp Plate	1
10	500MM LEADS WITH TAG CONNECTOR	1
11	LU22229 Athena desk clamp assembly	2
12	2G(2.2mm) x 13 Pan Head Self Tapping Screw Type AB	4
13	SW18R02WT	1
14	M4 x 6 pan head machine screw	1
15	5050205	1
16	SW18C-2	1
17	SW18A	1


CUSTOMER SIGNATURE:
MATERIAL: ALUMINIUM / PLASTIC
FINISH: ANODISED / TEXTURED
COLOUR: SILVER / WHITE

THIS DRAWING & ASSOCIATED CAD FILES ARE ISSUED IN THE STRICTEST CONFIDENCE AND ARE ONLY TO BE USED IN THE COMMERCIAL INTERESTS OF CMS ELECTRACOM PTY LTD

TOLERANCES UNLESS OTHERWISE STATED:

X ±0.5
 X.X ±0.2
 X.XX ±0.1
 X.XXX ±0.05
 ANG ±0.5°

DRAWN IN mm TO AS1100 DO NOT SCALE

 **CMS Electracom** COPYRIGHT © 2015

TITLE: ATHENA 2 WITH SW1802R + 2 DATA

DRAWING: LU22946 **REV:** 1 **A3**

SCALE 1:3 SHEET 2 OF 2