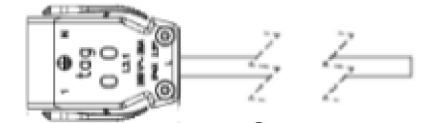


NOTE:



CABLE TYPE: 2.5MM²
 PART NUMBER:
 DESCRIPTION: TAG CONNECTOR
 LENGTH: 500MM

CUSTOMER SIGNATURE:
MATERIAL: ALUMINIUM / PLASTIC
FINISH: ANODISED / TEXTURED
COLOUR: SILVER / WHITE

TOLERANCES UNLESS OTHERWISE STATED:

X ±0.5
 X.X ±0.2
 X.XX ±0.1
 X.XXX ±0.05
 ANG ±0.5°



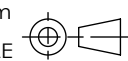
TITLE:
 ATHENA 2 WITH SW1802R

DRAWING: LU22936	REV: 1	A3
SCALE 1:2		

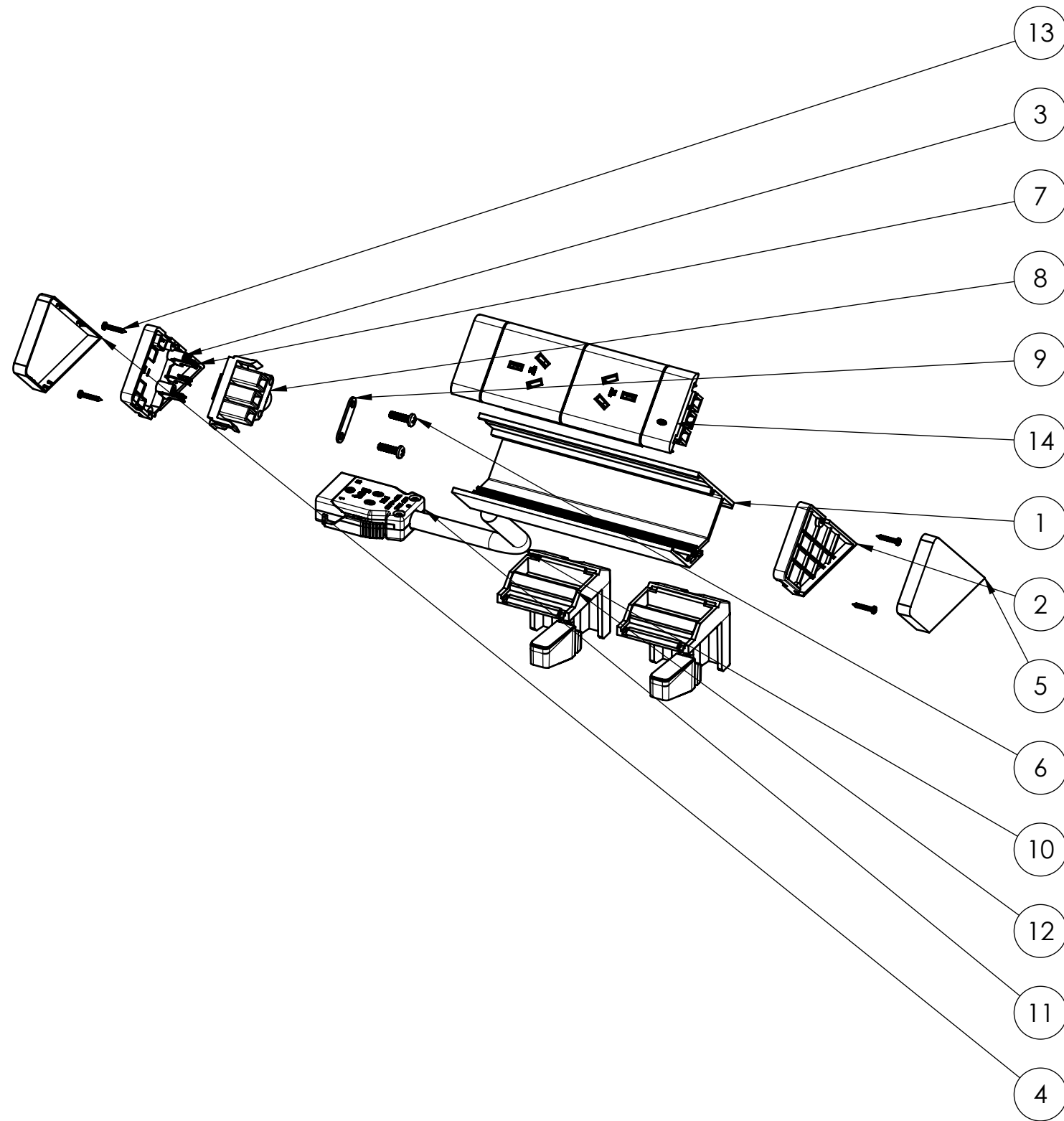
1	RELEASED FOR PRODUCTION	16/11/2017	JC	AP
REV	DESCRIPTION	DATE	DRWN	APPV
REVISIONS				

THIS DRAWING & ASSOCIATED CAD FILES ARE ISSUED IN THE STRICTEST CONFIDENCE AND ARE ONLY TO BE USED IN THE COMMERCIAL INTERESTS OF CMS ELECTRACOM PTY LTD

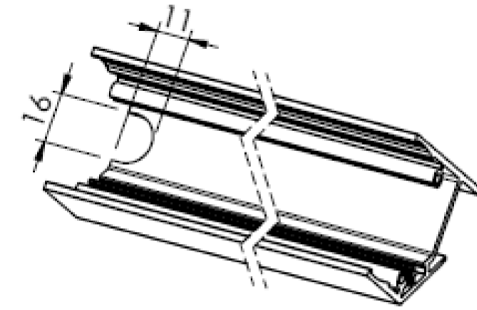
DRAWN IN mm TO AS1100 DO NOT SCALE



SCALE 1:2 SHEET 1 OF 2




ROUTING DETAIL - LU9294



ATHENA POWER / DATA EXIT CUTOUT
 LEFT SIDE - POWER
 RIGHT SIDE - NO DATA
 NOT TO SCALE

ITEM NO.	PART NUMBER	QTY.
1	137mm Athena MK2 extrusion	1
2	LU9423_Athena Inner End Cap RH	1
3	LU9424 Athena MK2 inner endcap LH	1
4	LU16686_Athena Outer End Cap LH	1
5	LU16685_Athena Outer End Cap RH	1
6	6G x 1/2" pan head screw (P/N 7021604)	2
7	LU15229 Contact Spring	3
8	LU16653_Athena Tag Connector	1
9	LU18107_Athena Clamp Plate	1
10	500MM LEADS WITH TAG CONNECTOR	1
11	L3 plug assy	1
12	LU22229 Athena desk clamp assembly	2
13	2G(2.2mm) x 13 Pan Head Self Tapping Screw Type AB	4
14	SW18R02WT	1

CUSTOMER SIGNATURE: MATERIAL: ALUMINIUM / PLASTIC FINISH: ANODISED / TEXTURED COLOUR: SILVER / WHITE <small>THIS DRAWING & ASSOCIATED CAD FILES ARE ISSUED IN THE STRICTEST CONFIDENCE AND ARE ONLY TO BE USED IN THE COMMERCIAL INTERESTS OF CMS ELECTRACOM PTY LTD</small>	TOLERANCES UNLESS OTHERWISE STATED: X ±0.5 X.X ±0.2 X.XX ±0.1 X.XXX ±0.05 ANG ±0.5°	 CMS Electracom <small>COPYRIGHT © 2015</small>		
	TITLE: ATHENA 2 WITH SW1802R			
	DRAWING: LU22936	REV: 1	A3	
	SCALE 1:3		SHEET 2 OF 2	