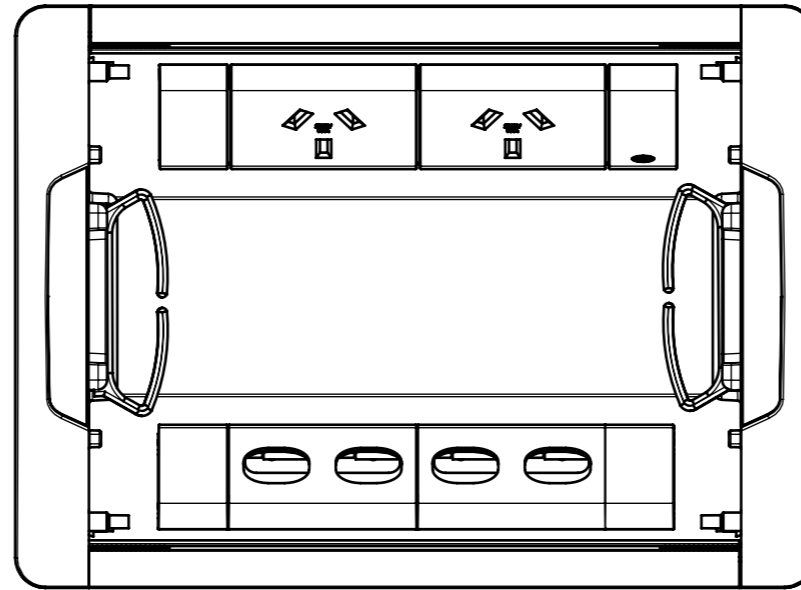
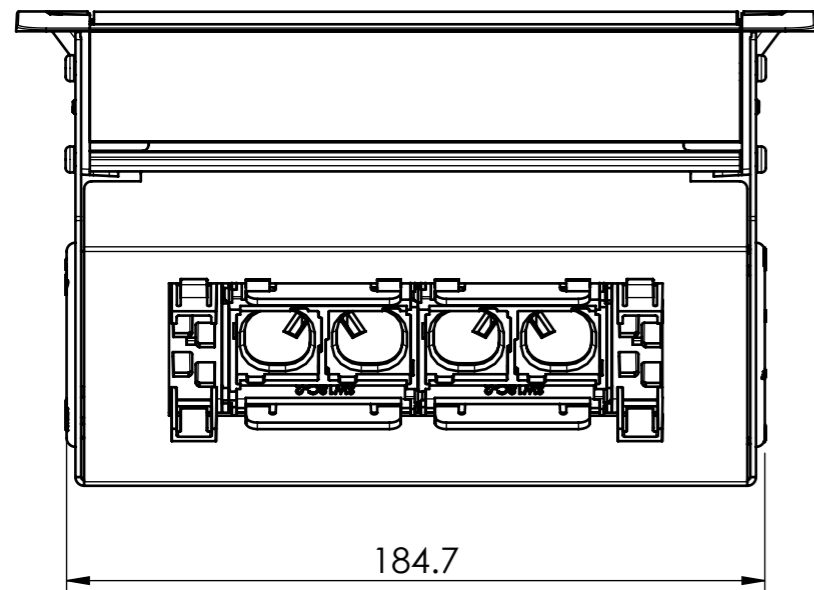


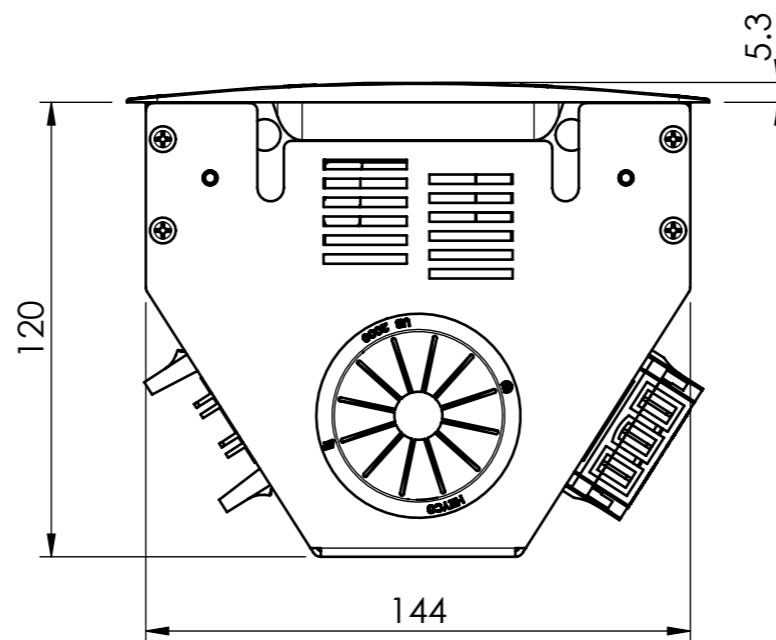
TOP



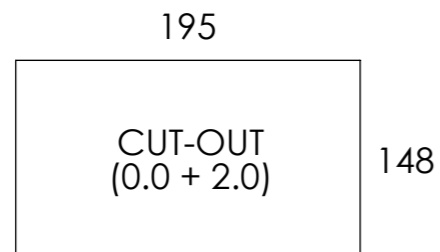
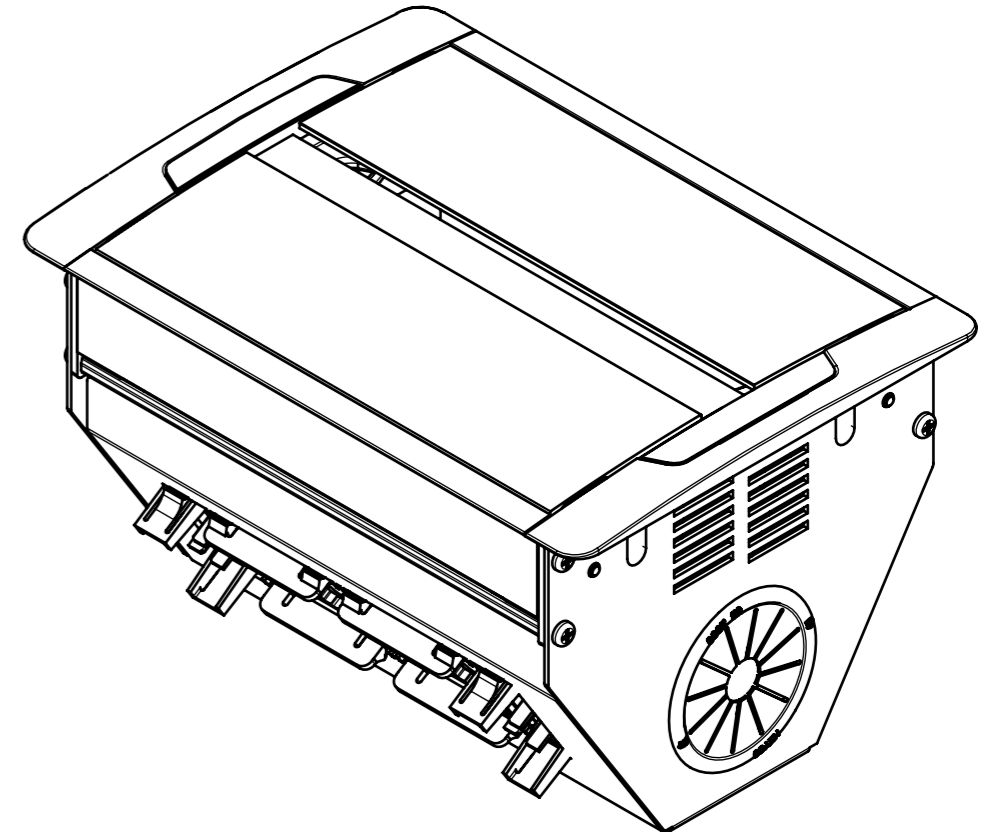
TOP NO LID



184.7  
FRONT



120  
144  
5.3  
SIDE



<b>CUSTOMER SIGNATURE:</b>	
<b>MATERIAL:</b>	ALUMINIUM
<b>FINISH:</b>	VARIOUS
<b>COLOUR:</b>	VARIOUS

**TOLERANCES UNLESS OTHERWISE STATED:**

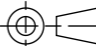
- X ±0.5
- X.X ±0.2
- X.XX ±0.1
- X.XXX ±0.05
- ANG ±0.5°

 **CMS Electracom** COPYRIGHT © 2015

**TITLE:**  
ACD0204

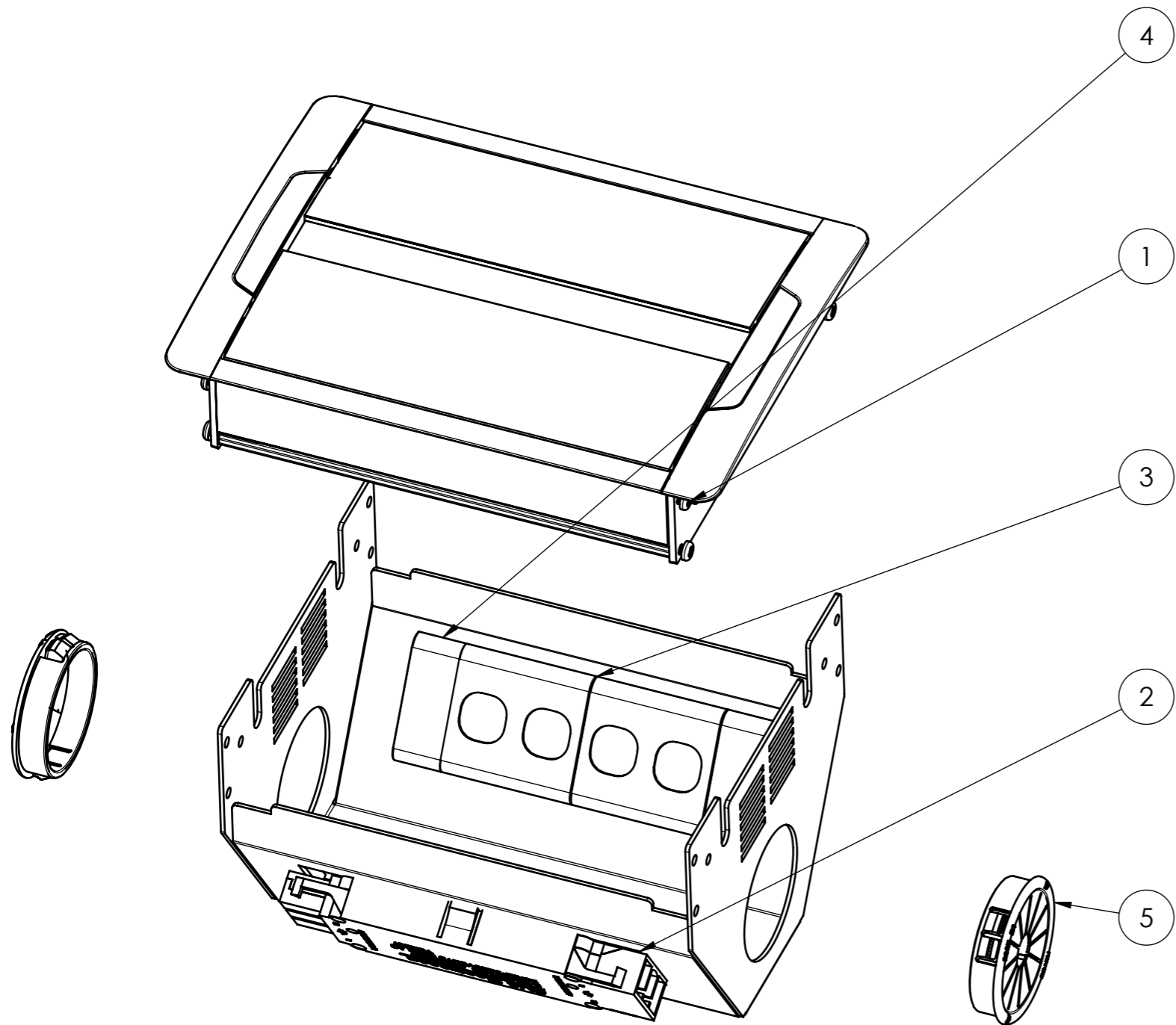
<b>DRAWING:</b> LU22314	<b>REV:</b> 1	<b>A3</b>
----------------------------	------------------	-----------

THIS DRAWING & ASSOCIATED CAD FILES ARE ISSUED IN THE STRICTEST CONFIDENCE AND ARE ONLY TO BE USED IN THE COMMERCIAL INTERESTS OF CMS ELECTRACOM PTY LTD

DRAWN IN mm TO AS1100 DO NOT SCALE 

SCALE 1:2 SHEET 1 OF 2

1	RELEASED FOR PRODUCTION	05/09/2017	JC	AP
REV	DESCRIPTION	DATE	DRWN	APPV
REVISIONS				




ITEM NO.	PART NUMBER	QTY.
1	LU22316_ACD0204 BLANK ASSEMBLY	1
2	SW1802	1
3	SW18C-2	2
4	SW18A	2
5	Heyco 2422 grommet	2

<b>CUSTOMER SIGNATURE:</b>
<b>MATERIAL:</b> ALUMINIUM
<b>FINISH:</b> VARIOUS
<b>COLOUR:</b> VARIOUS
THIS DRAWING & ASSOCIATED CAD FILES ARE ISSUED IN THE STRICTEST CONFIDENCE AND ARE ONLY TO BE USED IN THE COMMERCIAL INTERESTS OF CMS ELECTRACOM PTY LTD

**TOLERANCES UNLESS OTHERWISE STATED:**

X ±0.5  
 X.X ±0.2  
 X.XX ±0.1  
 X.XXX ±0.05  
 ANG ±0.5°

DRAWN IN mm TO AS1100 DO NOT SCALE

 **CMS Electracom** COPYRIGHT © 2015

**TITLE:** ACD0204

<b>DRAWING:</b> LU22314	<b>REV:</b> 1	<b>A3</b>
SCALE 1:2	SHEET 2 OF 2	