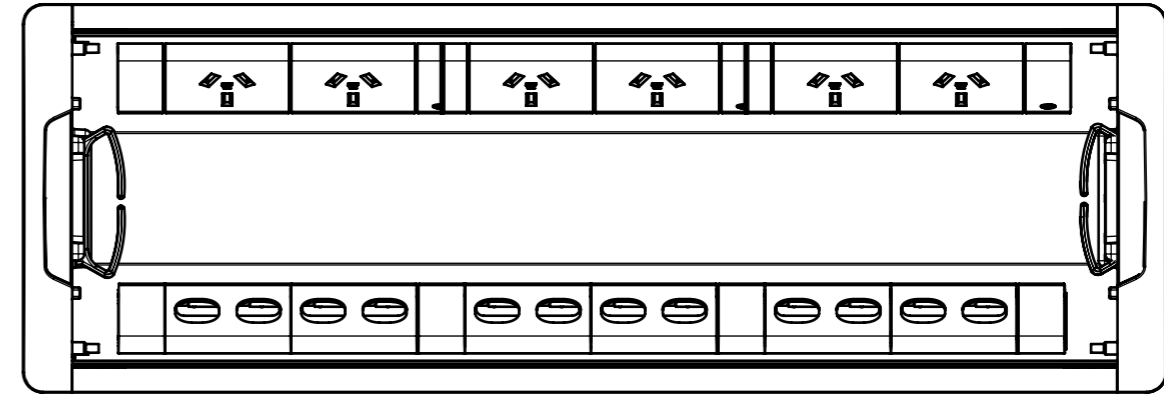
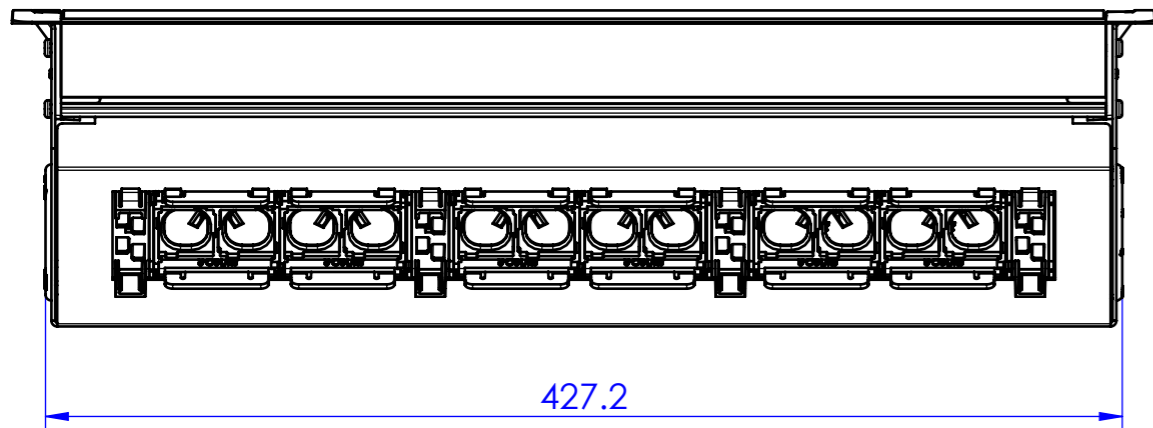


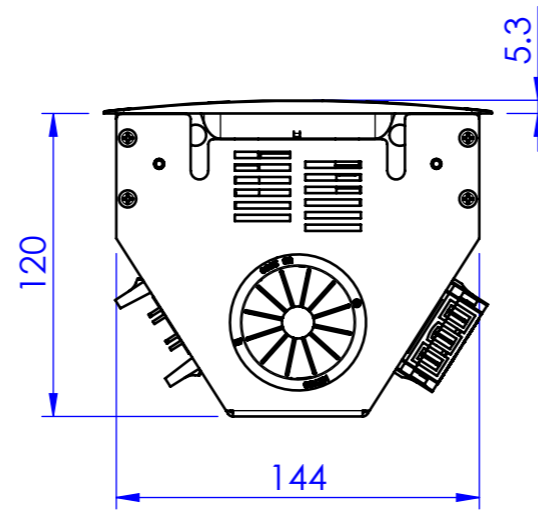
TOP



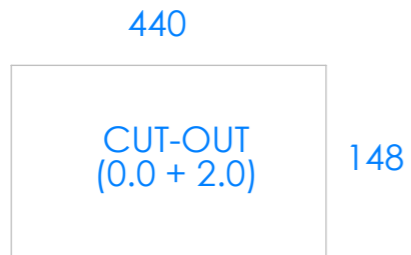
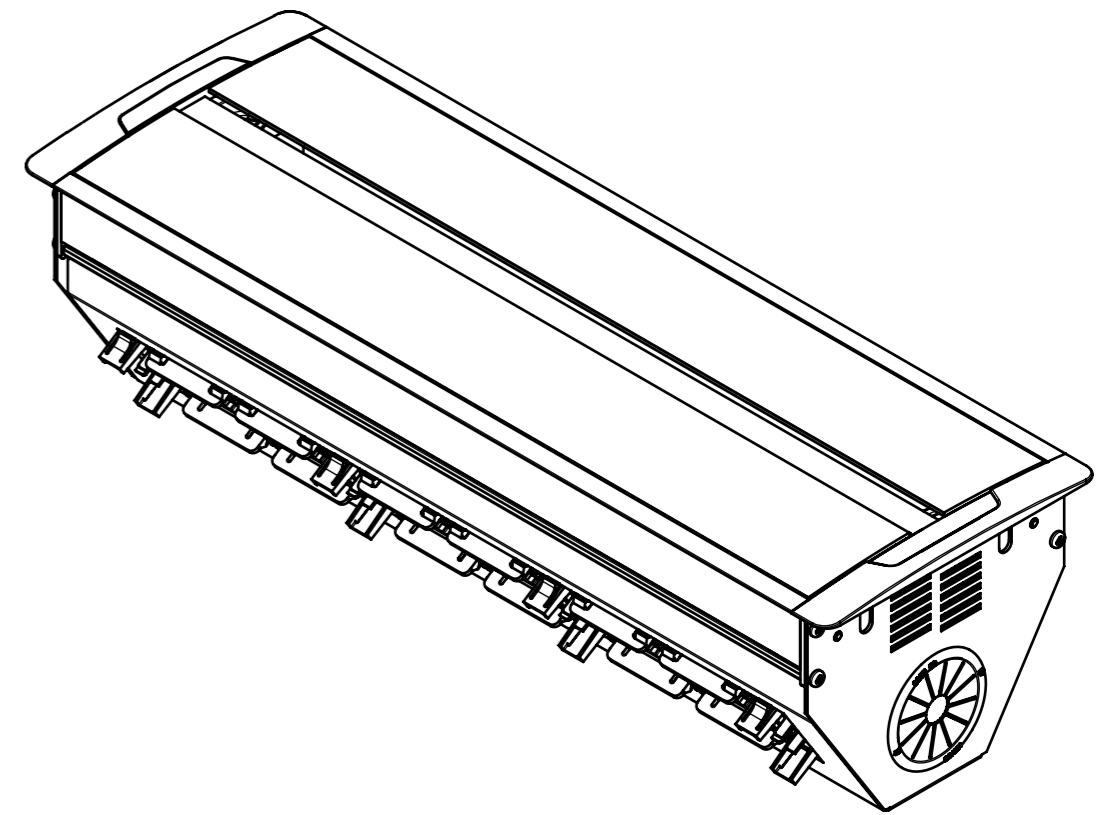
TOP NO LID



FRONT



SIDE



REV	DESCRIPTION	DATE	DRWN	APPV
1	RELEASED FOR PRODUCTION	05/09/2017	JC	AP
REVISIONS				

CUSTOMER SIGNATURE:	
MATERIAL:	ALUMINIUM
FINISH:	VARIOUS
COLOUR:	VARIOUS
THIS DRAWING & ASSOCIATED CAD FILES ARE ISSUED IN THE STRICTEST CONFIDENCE AND ARE ONLY TO BE USED IN THE COMMERCIAL INTERESTS OF CMS ELECTRACOM PTY LTD	

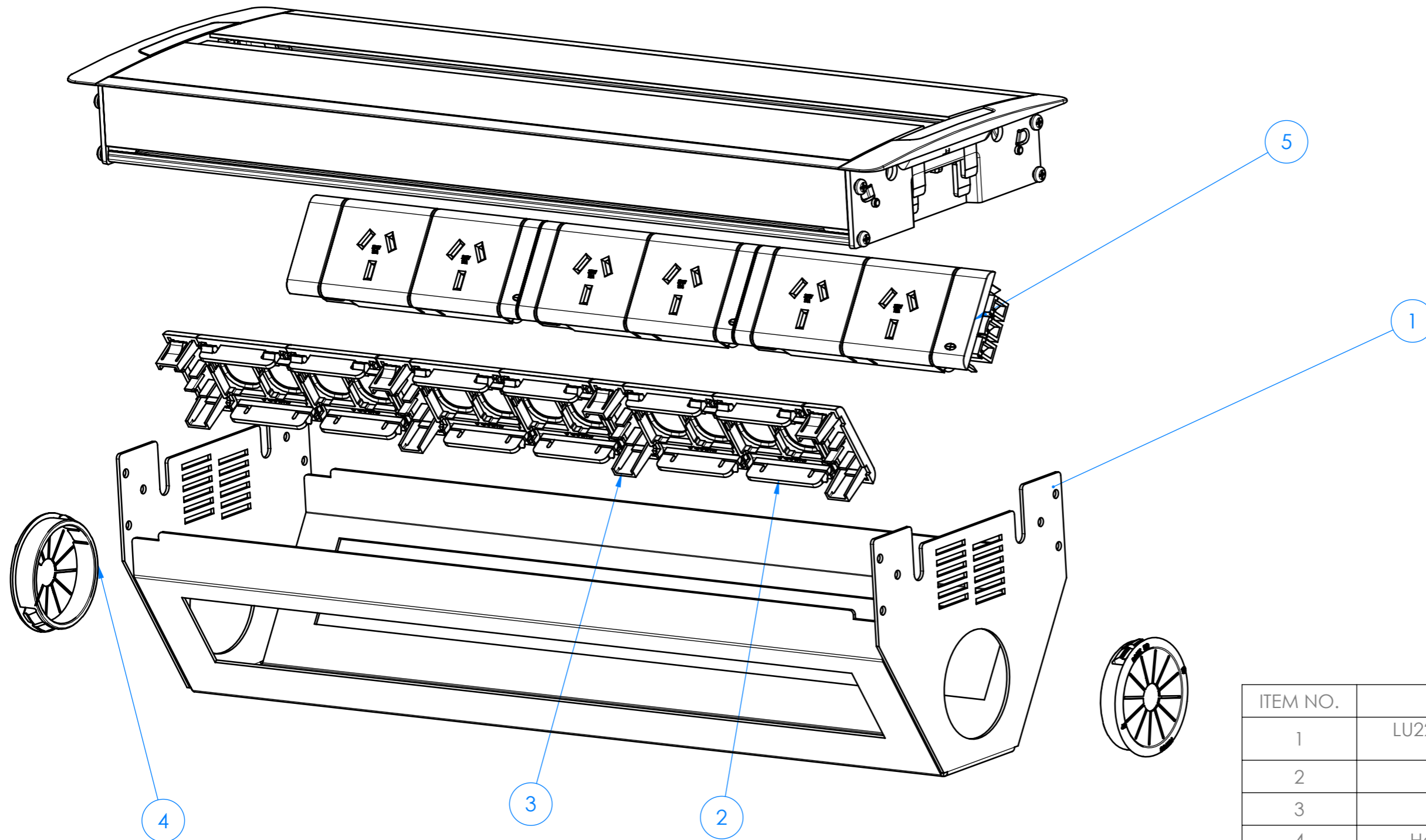
TOLERANCES UNLESS OTHERWISE STATED:

- X ±0.5
- X.X ±0.2
- X.XX ±0.1
- X.XXX ±0.05
- ANG ±0.5°

DRAWN IN mm TO AS1100 DO NOT SCALE



TITLE:		ACD0612	
DRAWING:	LU22328	REV:	1
SCALE 1:3		SHEET 1 OF 2	
			A3



ITEM NO.	PART NUMBER	QTY.
1	LU22320_ACD0612 BLANK ASSEMBLY	1
2	SW18C-2	6
3	SW18A	4
4	Heyco 2422 grommet	2
5	SW1806D	1

CUSTOMER SIGNATURE:

MATERIAL: ALUMINIUM

FINISH: VARIOUS

COLOUR: VARIOUS

THIS DRAWING & ASSOCIATED CAD FILES ARE ISSUED IN THE STRICTEST CONFIDENCE AND ARE ONLY TO BE USED IN THE COMMERCIAL INTERESTS OF CMS ELECTRACOM PTY LTD

TOLERANCES UNLESS OTHERWISE STATED:

X ±0.5
 X.X ±0.2
 X.XX ±0.1
 X.XXX ±0.05
 ANG ±0.5°

DRAWN IN mm TO AS1100 DO NOT SCALE



TITLE: ACD0612

DRAWING: LU22328

REV: 1

SCALE: 1:2

SHEET: 2 OF 2

SIZE: A3