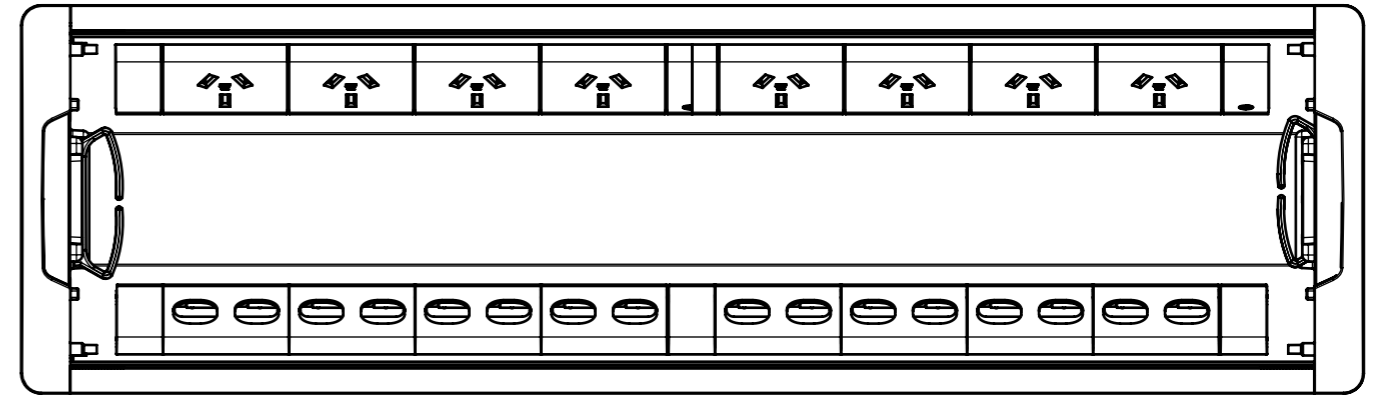
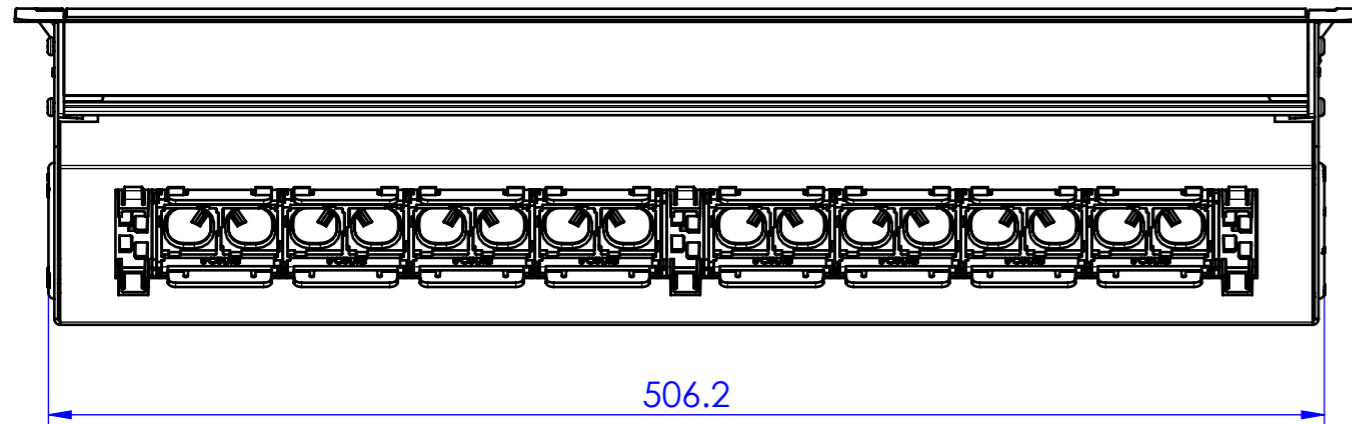


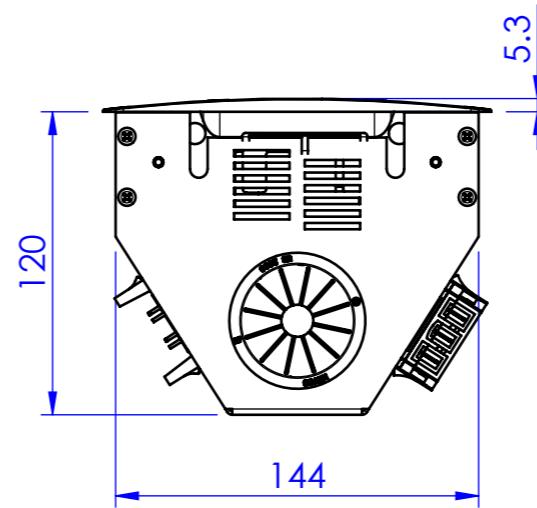
TOP



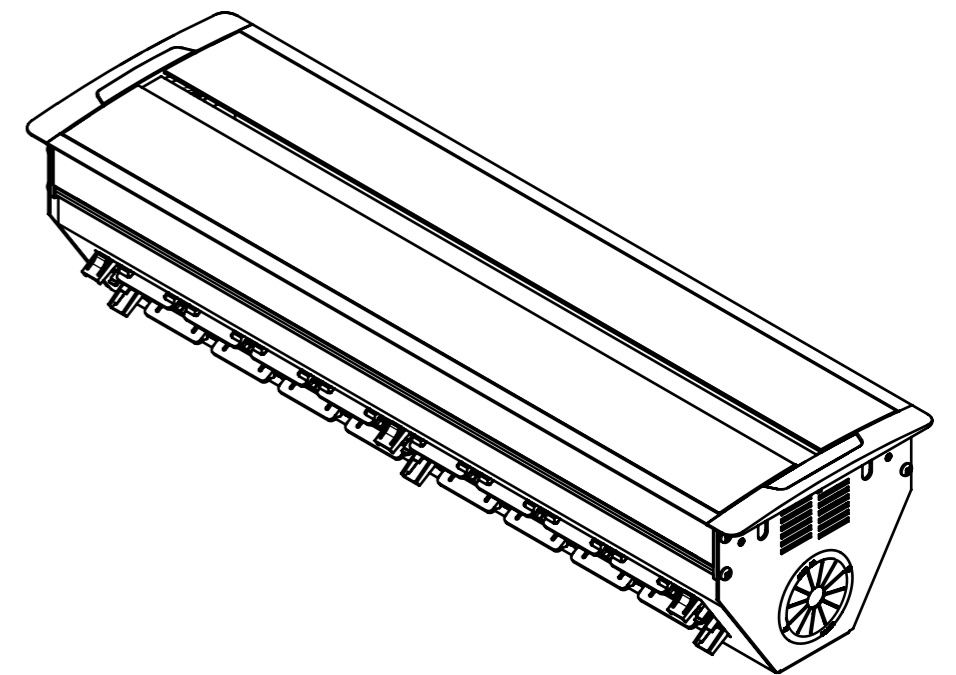
TOP NO LID



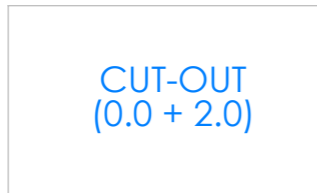
FRONT



SIDE



520



CUT-OUT  
(0.0 + 2.0)

148

<b>CUSTOMER SIGNATURE:</b>	
<b>MATERIAL:</b>	ALUMINIUM
<b>FINISH:</b>	VARIOUS
<b>COLOUR:</b>	VARIOUS

**TOLERANCES UNLESS OTHERWISE STATED:**

X ±0.5  
 X.X ±0.2  
 X.XX ±0.1  
 X.XXX ±0.05  
 ANG ±0.5°

THIS DRAWING & ASSOCIATED CAD FILES ARE ISSUED IN THE STRICTEST CONFIDENCE AND ARE ONLY TO BE USED IN THE COMMERCIAL INTERESTS OF CMS ELECTRACOM PTY LTD

DRAWN IN mm TO AS1100 DO NOT SCALE

 **CMS Electracom** COPYRIGHT © 2015

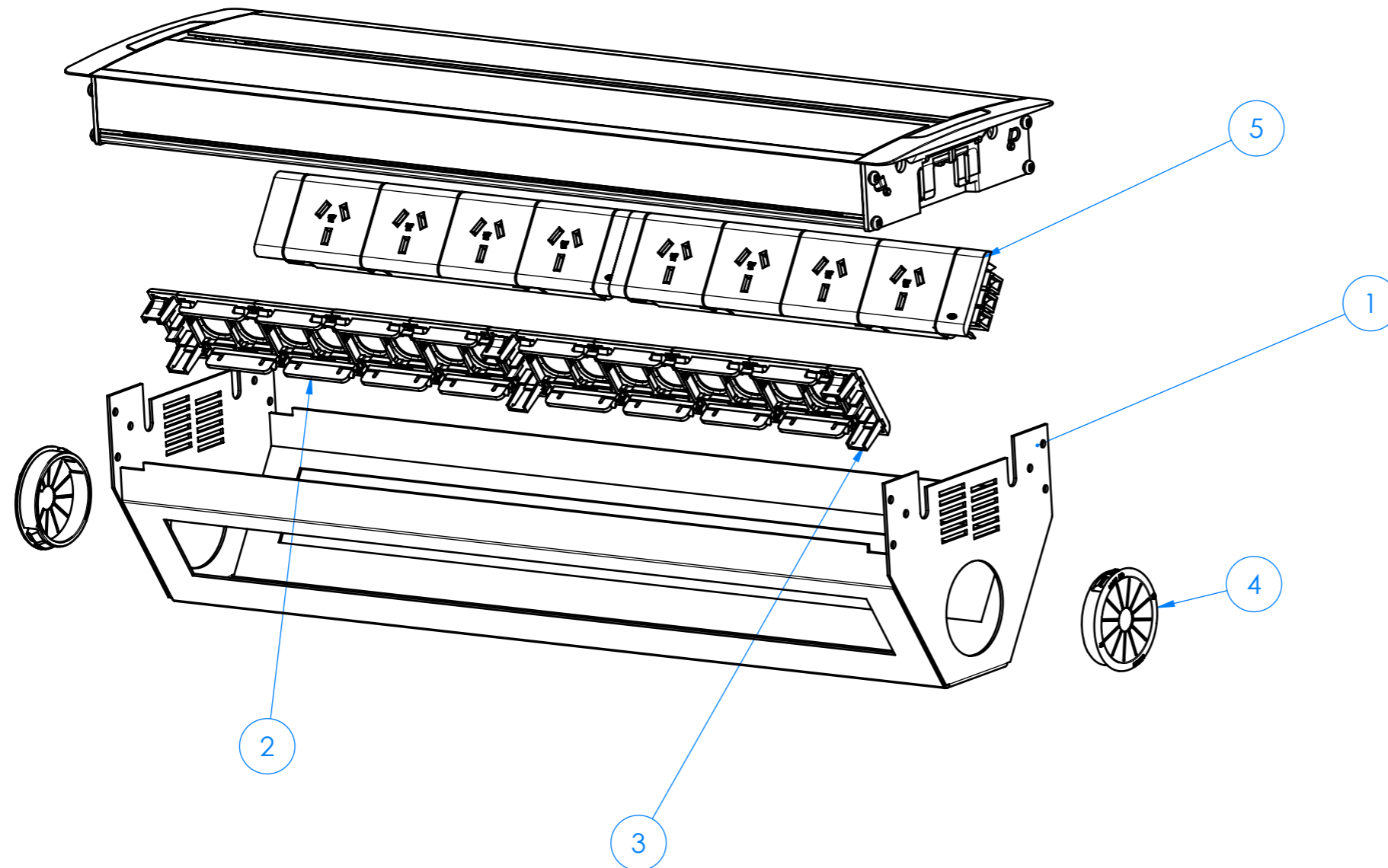
**TITLE:**  
 ACD0816

<b>DRAWING:</b> LU22330	<b>REV:</b> 1	<b>A3</b>
----------------------------	------------------	-----------

SCALE 1:3

SHEET 1 OF 2

1	RELEASED FOR PRODUCTION	05/09/2017	JC	AP
REV	DESCRIPTION	DATE	DRWN	APPV
REVISIONS				



ITEM NO.	PART NUMBER	QTY.
1	LU22322_ACD0816 BLANK ASSEMBLY	1
2	SW18C-2	8
3	SW18A	3
4	Heyco 2422 grommet	2
5	SW1808QWT	1

<b>CUSTOMER SIGNATURE:</b>	
<b>MATERIAL:</b>	ALUMINIUM
<b>FINISH:</b>	VARIOUS
<b>COLOUR:</b>	VARIOUS
THIS DRAWING & ASSOCIATED CAD FILES ARE ISSUED IN THE STRICTEST CONFIDENCE AND ARE ONLY TO BE USED IN THE COMMERCIAL INTERESTS OF CMS ELECTRACOM PTY LTD	

**TOLERANCES UNLESS OTHERWISE STATED:**

X ±0.5  
 X.X ±0.2  
 X.XX ±0.1  
 X.XXX ±0.05  
 ANG ±0.5°

DRAWN IN mm TO AS1100 DO NOT SCALE



**TITLE:**  
 ACD0816

<b>DRAWING:</b> LU22330	<b>REV:</b> 1	<b>A3</b>
SCALE 1:3	SHEET 2 OF 2	