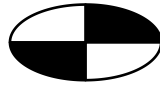


REV	DESCRIPTION	DATE	DRWN	APPV
1	RELEASED	20/09/2016	JC	
REVISIONS				

MATERIAL: P.C		TOLERANCES UNLESS OTHERWISE STATED: X ±0.5 X.X ±0.2 X.XX ±0.1 X.XXX ±0.05 ANG ±0.5°	 CMS Electracom		COPYRIGHT © 2015	
FINISH: SMOOTH / TEXTURED			TITLE: ALPHA 2 GPO			
COLOUR: -			DRAWING: LU9143		REV: 1	A3
THIS DRAWING & ASSOCIATED CAD FILES ARE ISSUED IN THE STRICTEST CONFIDENCE AND ARE ONLY TO BE USED IN THE COMMERCIAL INTERESTS OF CMS ELECTRACOM PTY LTD			DRAWN IN mm TO AS1100 DO NOT SCALE		SCALE 1:1	SHEET 1 OF 1