
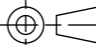


REV	DESCRIPTION	DATE	DRWN	APPV
1	RELEASED	20/09/2016	JC	
REVISIONS				

MATERIAL: P.C		TOLERANCES UNLESS OTHERWISE STATED: X ±0.5 X.X ±0.2 X.XX ±0.1 X.XXX ±0.05 ANG ±0.5°	 CMS Electracom		<small>COPYRIGHT © 2015</small>		
FINISH: SMOOTH / TEXTURED			TITLE: ALPHA 3 GPO				
COLOUR: -			DRAWING: LU9145		REV: 1		
<small>THIS DRAWING & ASSOCIATED CAD FILES ARE ISSUED IN THE STRICTEST CONFIDENCE AND ARE ONLY TO BE USED IN THE COMMERCIAL INTERESTS OF CMS ELECTRACOM PTY LTD</small>		<small>DRAWN IN mm TO AS1100 DO NOT SCALE</small> 		SCALE 1:2		SHEET 1 OF 1	
						A3	