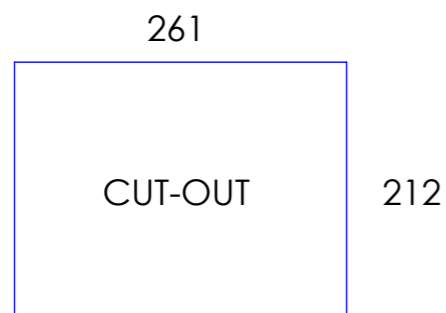
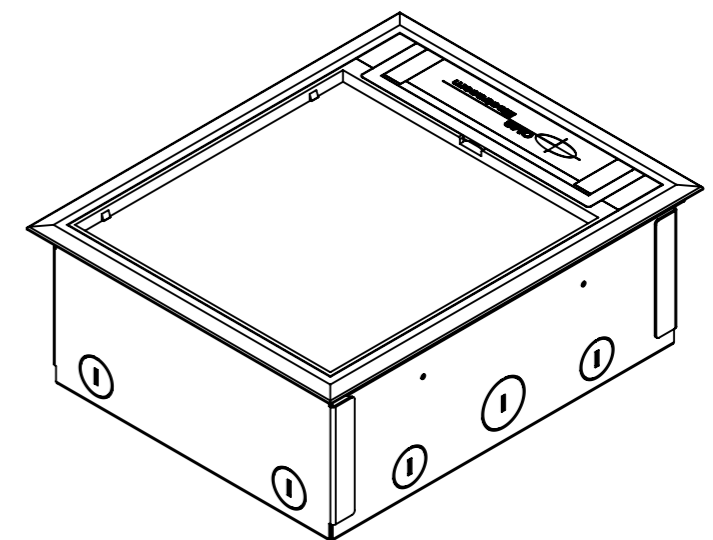
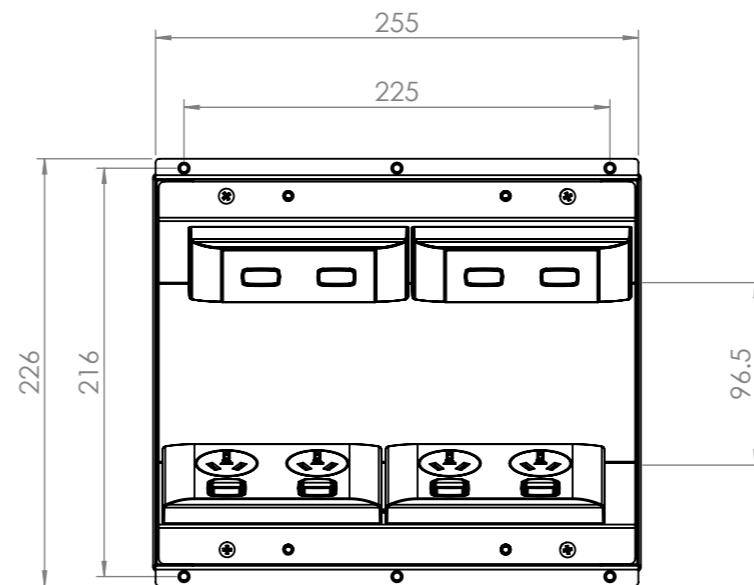
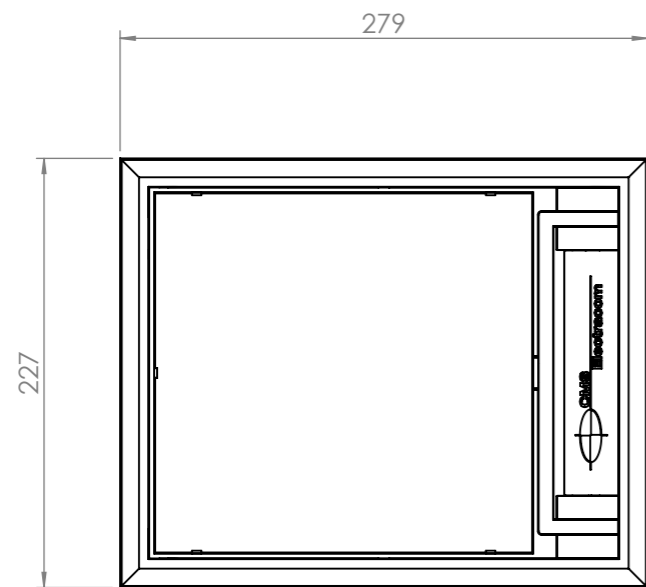


SECTION A-A



REV	DESCRIPTION	DATE	DRWN	APPV
4	UPDATED SCREWS IN BOM	28/08/2018	JC	AP
3	UPDATED BOM	27/06/2018	JC	AP
2	RELEASED FOR PRODUCTION	22/05/2018	JC	AP
1	RELEASED FOR QUOTATION - NOT FOR PRODUCTION	22/05/2018	JC	AP
REVISIONS				

<b>CUSTOMER SIGNATURE:</b>	
<b>MATERIAL:</b>	PLASTIC / MS
<b>FINISH:</b>	TEXTURED / POWDERCOATED
<b>COLOUR:</b>	BLACK SATIN
THIS DRAWING & ASSOCIATED CAD FILES ARE ISSUED IN THE STRICTEST CONFIDENCE AND ARE ONLY TO BE USED IN THE COMMERCIAL INTERESTS OF CMS ELECTRACOM PTY LTD	

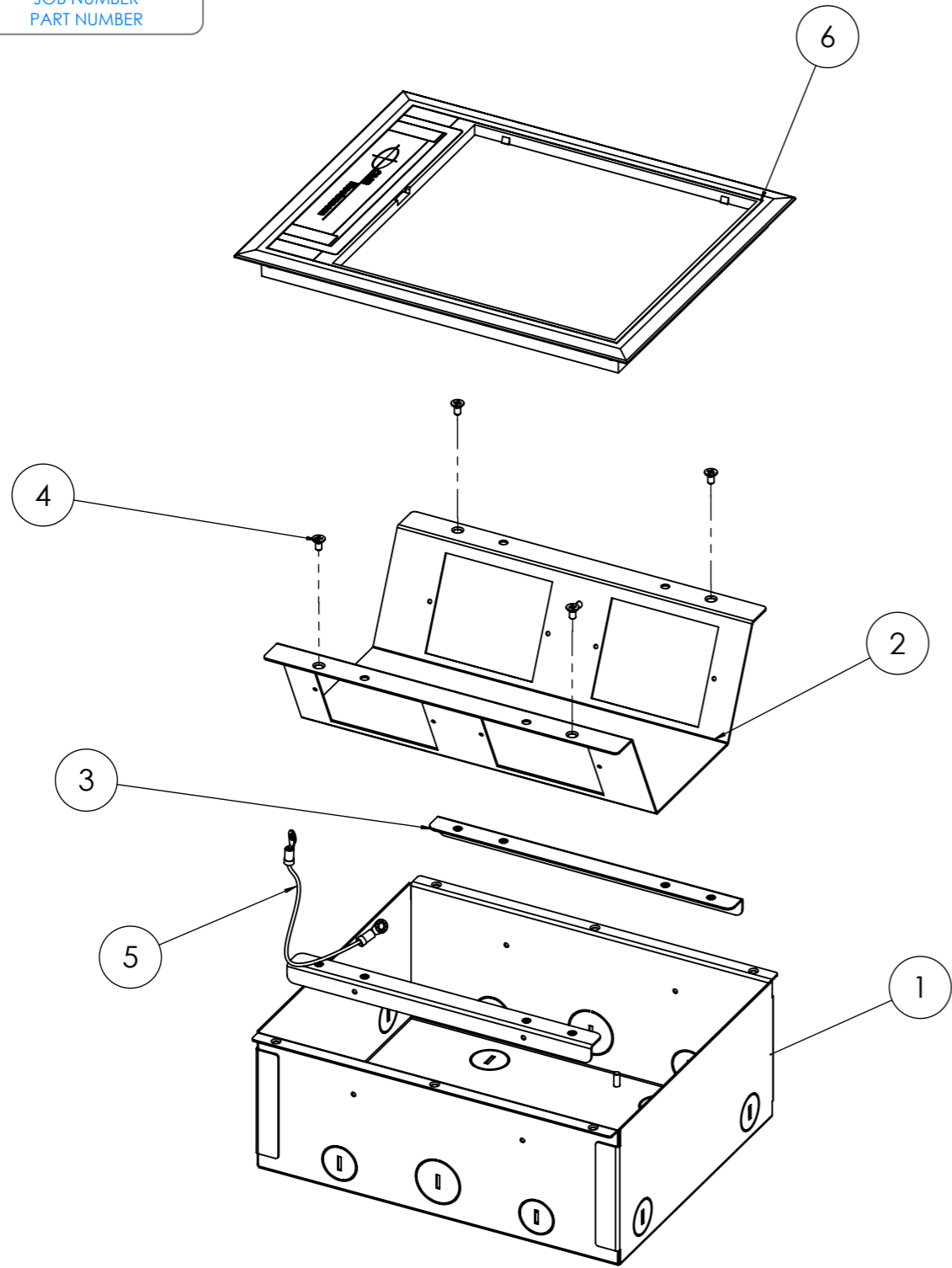
TOLERANCES UNLESS OTHERWISE STATED:

X ±0.5  
 X.X ±0.2  
 X.XX ±0.1  
 X.XXX ±0.05  
 ANG ±0.5°

DRAWN IN mm TO AS1100 DO NOT SCALE



<b>TITLE:</b>		
CT04GY/BK CENTURY BOX		
<b>DRAWING:</b>	<b>REV:</b>	A3
LU25533	4	
SCALE 1:4		SHEET 1 OF 2



- 7 INCLUDE IN A SATCHEL  
8X 6G x 1" TYPE B PAN HEAD SELF TAP
- AND
- 8 4x M4 x 20 CSK MACHINE SCREWS

ITEM NO.	PART NUMBER	QTY.
1	LU25534_FB3 UNDERCARRIAGE TO SUIT MEDIUM CENTURY BOX	1
2	LU25538_MEDIUM SIZE FB plate	1
3	LU25541_FB MEDIUM SUPPORT PLATE	2
4	M4 X 8 CSK MACHINE SCREWS	4
5	LU9436_150mm EARTH STRAP FROM GPO PLATE TO UNDERCARRIAGE	2
6	F3 lid	1
7	6G x 1" TYPE B PAN HEAD SELF TAP	8
8	M4 x 20 CSK MAHCINE SCREW	4

**CUSTOMER SIGNATURE:**  
**MATERIAL:** PLASTIC / MS  
**FINISH:** TEXTURED / POWDERCOATED  
**COLOUR:** BLACK SATIN  
 THIS DRAWING & ASSOCIATED CAD FILES ARE ISSUED IN THE STRICTEST CONFIDENCE AND ARE ONLY TO BE USED IN THE COMMERCIAL INTERESTS OF CMS ELECTRACOM PTY LTD

TOLERANCES UNLESS OTHERWISE STATED:

X ±0.5  
 X.X ±0.2  
 X.XX ±0.1  
 X.XXX ±0.05  
 ANG ±0.5°

DRAWN IN mm TO AS1100 DO NOT SCALE



**TITLE:** CT04GY/BK CENTURY BOX  
**DRAWING:** LU25533  
**REV:** 4  
**SCALE:** 1:4  
**SHEET:** 2 OF 2  
**SIZE:** A3