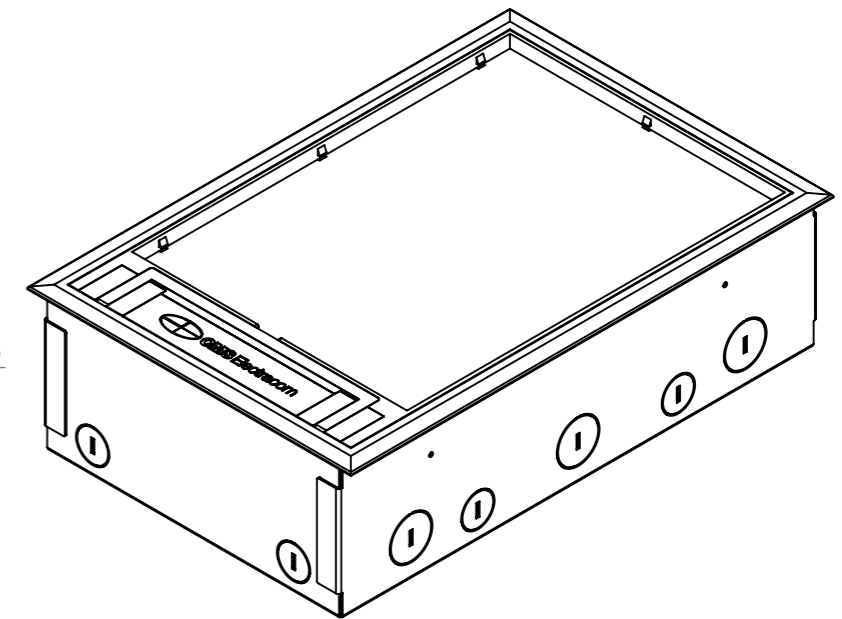
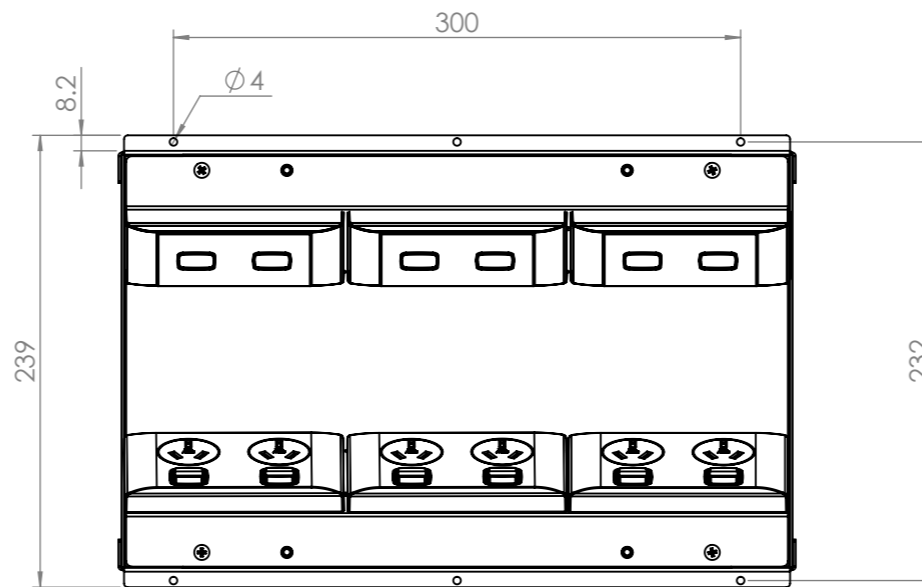
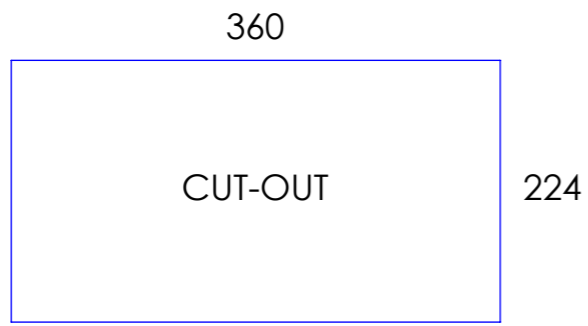
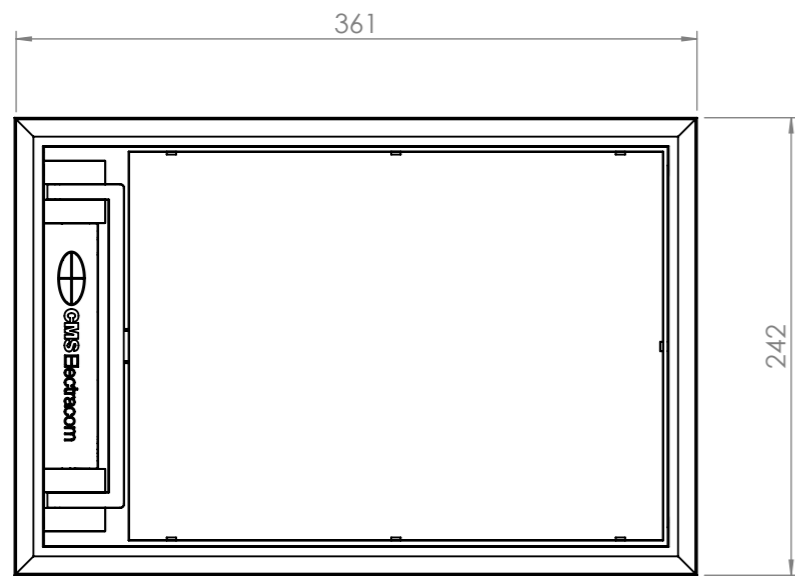



SECTION A-A



REV	DESCRIPTION	DATE	DRWN	APPV
9	UPDATED SCREWS IN BOM	28/08/2018	JC	AP
8	UPDATED BOM	27/06/2018	JC	AP
7	RELEASED FOR PRODUCTION	22/05/2018	JC	AP
6	RELEASED FOR QUOTATION - NOT FOR PRODUCTION	22/05/2018	JC	AP
REVISIONS				

<b>CUSTOMER SIGNATURE:</b>	
<b>MATERIAL:</b>	PLASTIC / MS
<b>FINISH:</b>	TEXTURED / POWDERCOATED
<b>COLOUR:</b>	BLACK SATIN
THIS DRAWING & ASSOCIATED CAD FILES ARE ISSUED IN THE STRICTEST CONFIDENCE AND ARE ONLY TO BE USED IN THE COMMERCIAL INTERESTS OF CMS ELECTRACOM PTY LTD	

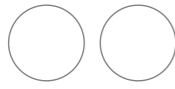
<b>TOLERANCES UNLESS OTHERWISE STATED:</b>
X ±0.5
X.X ±0.2
X.XX ±0.1
X.XXX ±0.05
ANG ±0.5°
DRAWN IN mm TO AS1100 DO NOT SCALE


**CMS Electracom** COPYRIGHT © 2015

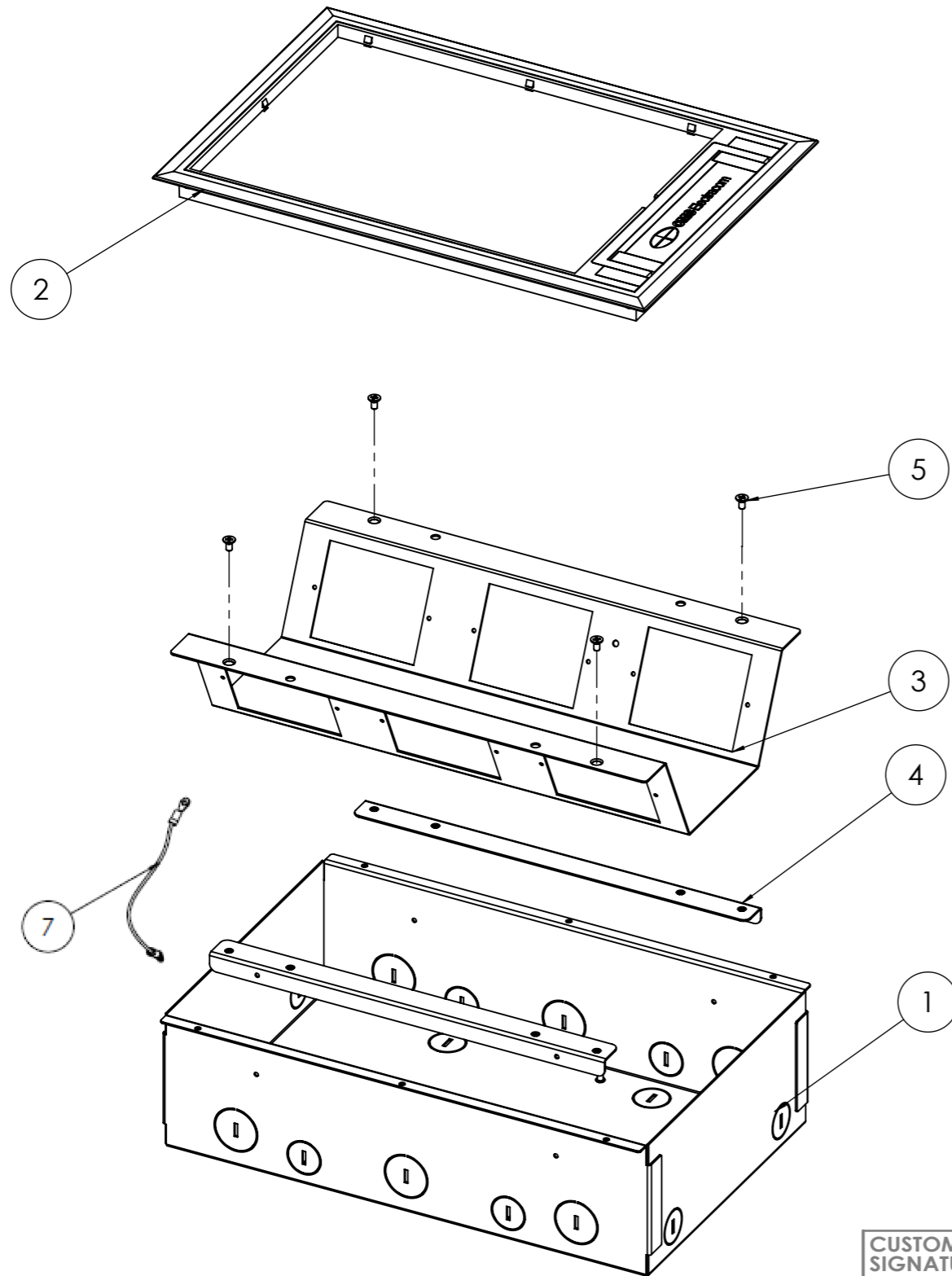
**TITLE:** CT06GY/BK CENTURY BOX

**DRAWING:** LU20298 **REV:** 9 **A3**

SCALE 1:4 SHEET 1 OF 2



JOB NUMBER  
PART NUMBER



- 7 INCLUDE IN A SACHEL  
12x 6G x 1" TYPE B PAN HEAD SELF TAP
- AND
- 8 4x M4 x 20CSK MACHINE SCREW

ITEM NO.	PART NUMBER	QTY.
1	LU20258_FB UNDERCARRIAGE TO SUIT LARGE CENTURY BOX	1
2	FT4 PLASTIC LID	1
3	LU20279_LARGE SIZE FB plate	1
4	LU20265_FB SUPPORT PLATE	2
5	M4 X 8 CSK MACHINE SCREWS	4
6	LU9436_150mm EARTH STRAP FROM GPO PLATE TO UNDERCARRIAGE	2
7	6G x 1" TYPE B PAN HEAD SELF TAP	12
8	M4 x 20 CSK MACHINE SCREW	4

**CUSTOMER SIGNATURE:**

**MATERIAL:** PLASTIC / MS

**FINISH:** TEXTURED / POWDERCOATED

**COLOUR:** BLACK SATIN

THIS DRAWING & ASSOCIATED CAD FILES ARE ISSUED IN THE STRICTEST CONFIDENCE AND ARE ONLY TO BE USED IN THE COMMERCIAL INTERESTS OF CMS ELECTRACOM PTY LTD

TOLERANCES UNLESS OTHERWISE STATED:

X ±0.5  
 X.X ±0.2  
 X.XX ±0.1  
 X.XXX ±0.05  
 ANG ±0.5°

DRAWN IN mm TO AS1100 DO NOT SCALE



**CMS Electracom** COPYRIGHT © 2015

TITLE:

CT06GY/BK  
CENTURY BOX

DRAWING:

LU20298

REV:

9

A3

SCALE 1:4

SHEET 2 OF 2