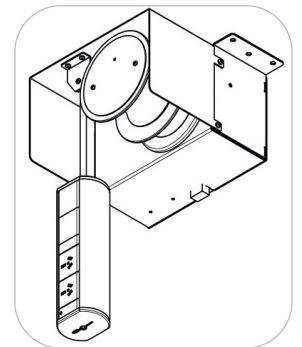


ELEVATE

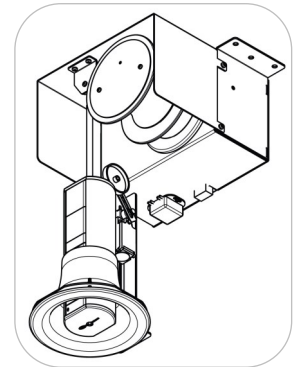
Retractable Power For Agile Workspaces



Softwired modules allow for easy install and re-location of power and USB charging



ELN04**



ELNC04**

With ceiling mounting flange to house power module in a tiled ceiling

SMART SOLUTION FOR AGILE AND MODULAR SPACES

Elevate is the latest wiring + power solution by CMS - a retracting power module summoned easily via switch or a remote. Elevate delivers unprecedented access to power and USB charging into spaces subject to changing configuration, and simply retracts into the ceiling when not required.

TECHNICAL SPECIFICATIONS	
Max Cable length	3m
Total Unit Weight	8kgs
Max Load Weight	1-3kgs
Dimensions	H159.6 x W332.6 x L111.2mm (including mounting flanges)
Accessories	Comes with a 1.5m lead with 3-pin plug

ORDERING INFORMATION	
PART NO.	DESCRIPTION
ELN04**	CMS Elevate Retractable Power Module fitted with 2 x Dual GPOs
ELN04U2**	CMS Elevate Retractable Power Module fitted with 2 x Dual GPOs + USB-A Charging
ELNC04**	CMS Elevate Retractable Power Module fitted with 2 x Dual GPOs with a ceiling mounting flange
ELNC04U2**	CMS Elevate Retractable Power Module fitted with 2 x Dual GPOs + USB-A Charging with a ceiling mounting flange

PLEASE CALL US FOR THE MOST UP TO DATE SPECIFICATIONS AND PRICING

Notes:

- ** Denotes socket and end-cap colour: BK (black), WT (white)
- Standard finish is an anodized aluminium body, black or white sockets.
- Housing unit is powder coated in black as standard, available in white on request.