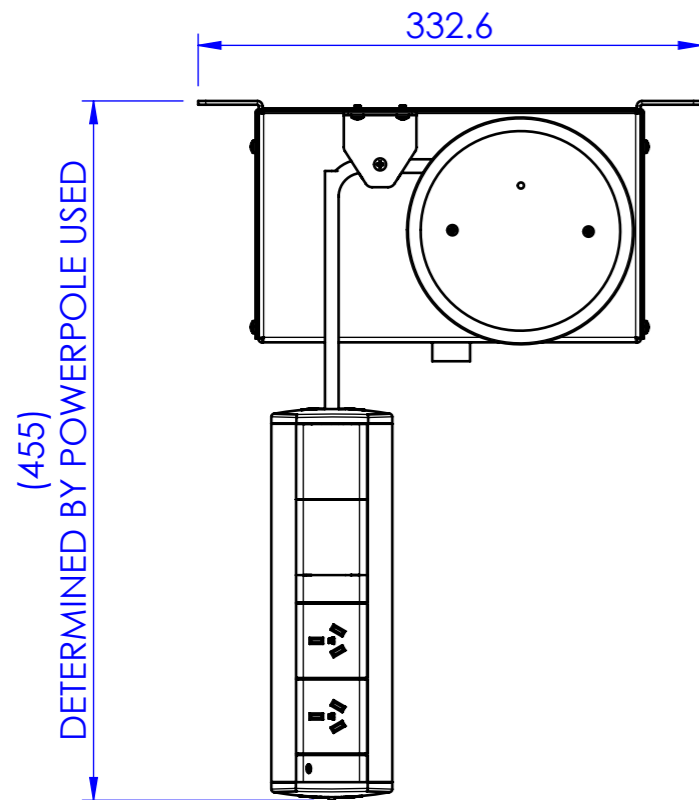
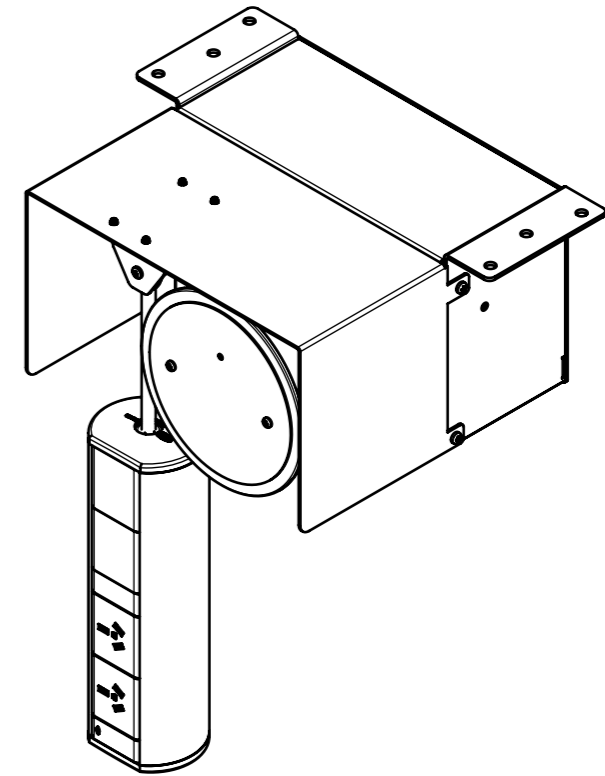
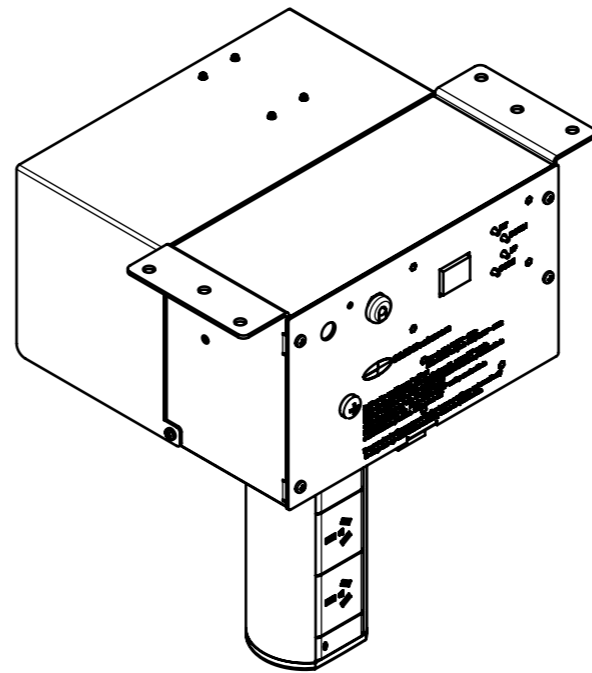
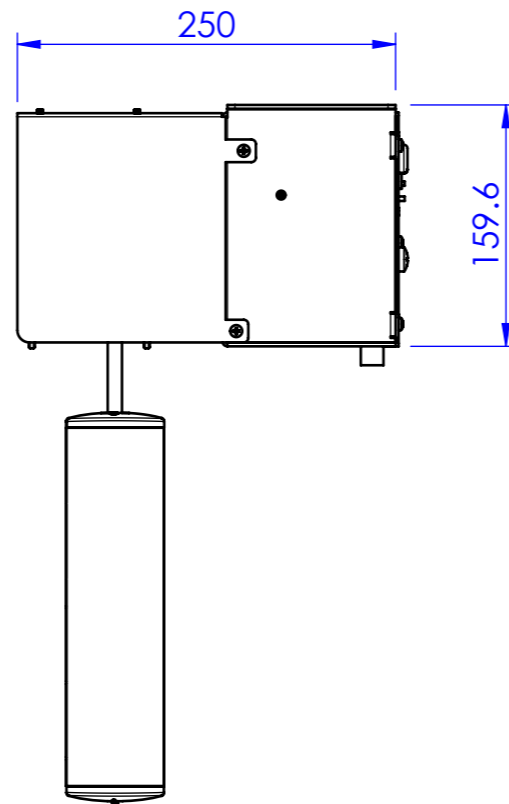


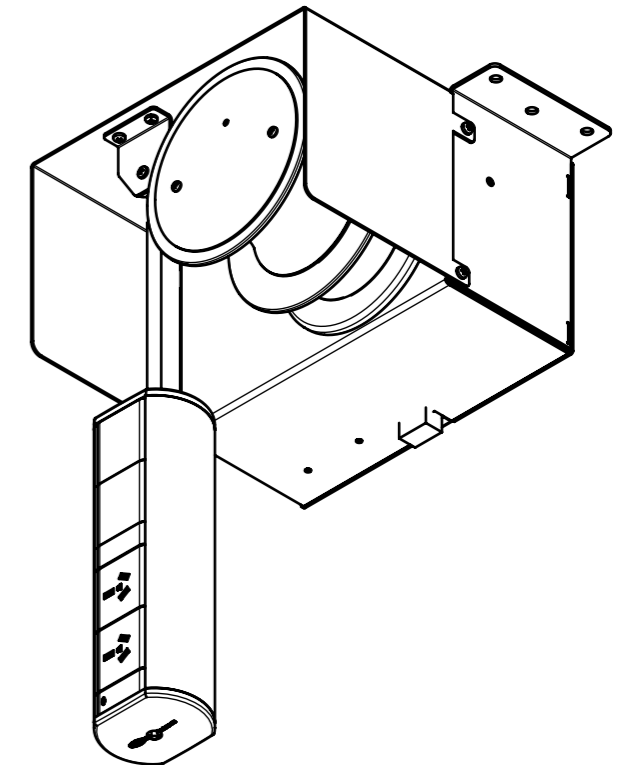
TOP VIEW



FRONT VIEW




SIDE VIEW



REV	DESCRIPTION	DATE	DRWN	APPV
2	UPDATED DETAILS	24/10/2018	JC	AP
1	RELEASED FOR EVALUATION	15/02/2018	JC	AP
REVISIONS				

CUSTOMER SIGNATURE:
MATERIAL: MILD STEEL / PLASTIC
FINISH: POWDER COATED
COLOUR: MANNEX BLACK / BLACK
THIS DRAWING & ASSOCIATED CAD FILES ARE ISSUED IN THE STRICTEST CONFIDENCE AND ARE ONLY TO BE USED IN THE COMMERCIAL INTERESTS OF CMS ELECTRACOM PTY LTD

TOLERANCES UNLESS OTHERWISE STATED: X ±0.5 X.X ±0.2 X.XX ±0.1 X.XXX ±0.05 ANG ±0.5°
DRAWN IN mm TO AS1100 DO NOT SCALE

 CMS Electracom		<small>COPYRIGHT © 2015</small>
TITLE: ELEVATE CEILING ASSEMBLY		
DRAWING: LU24053	REV: 2	A3
SCALE 1:5		SHEET 1 OF 4