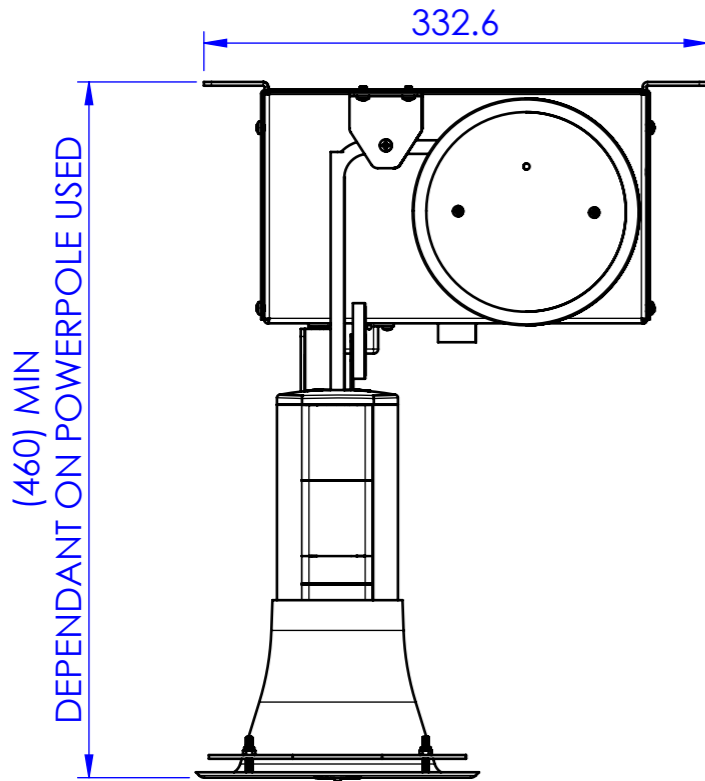
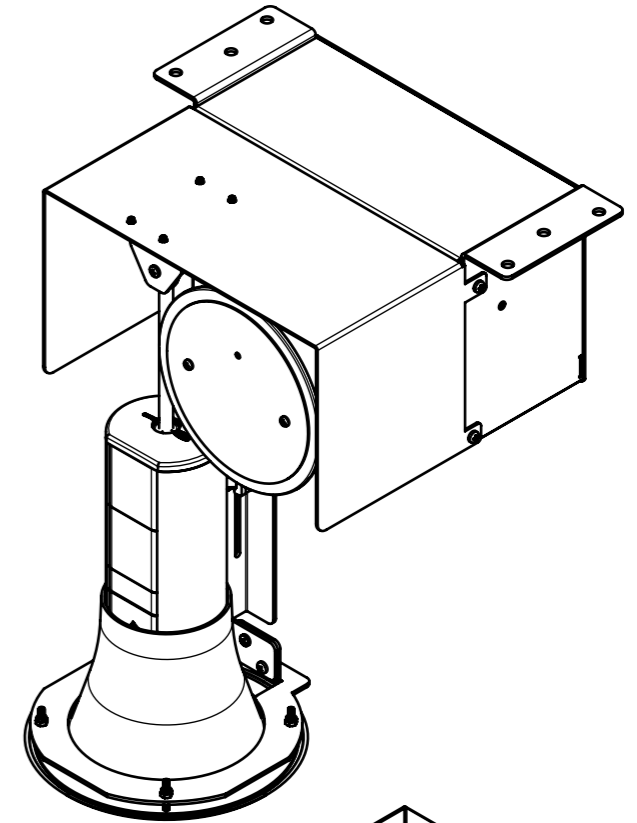
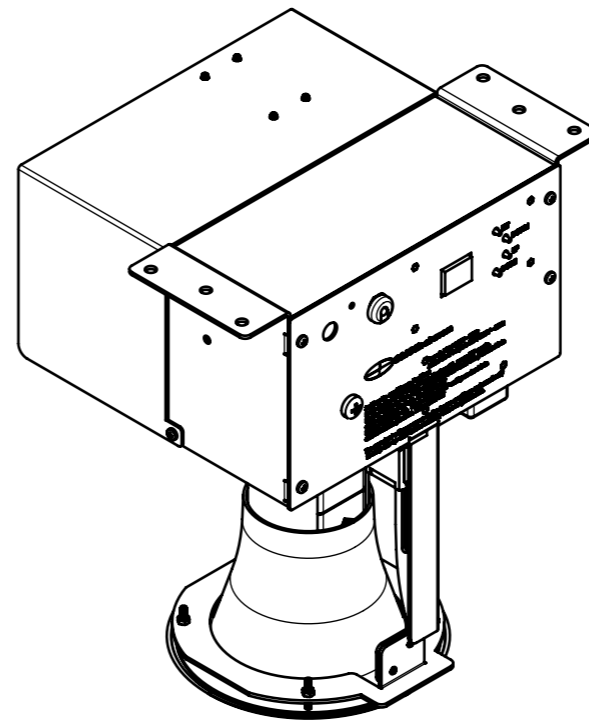
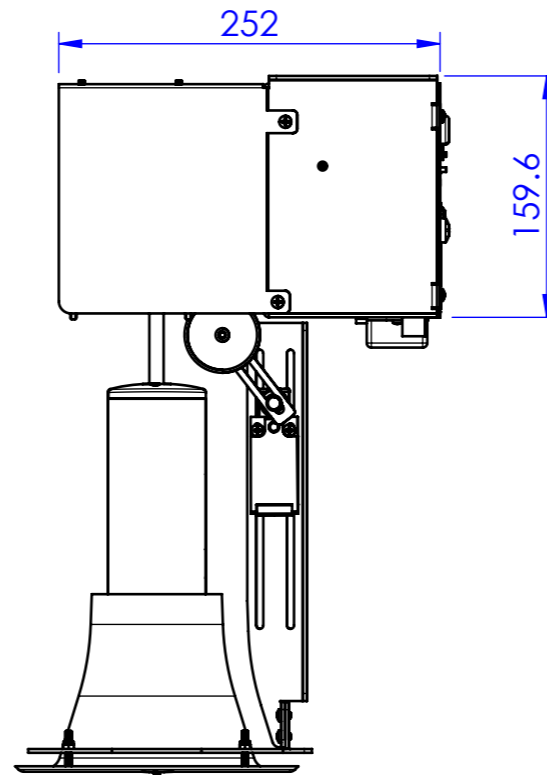


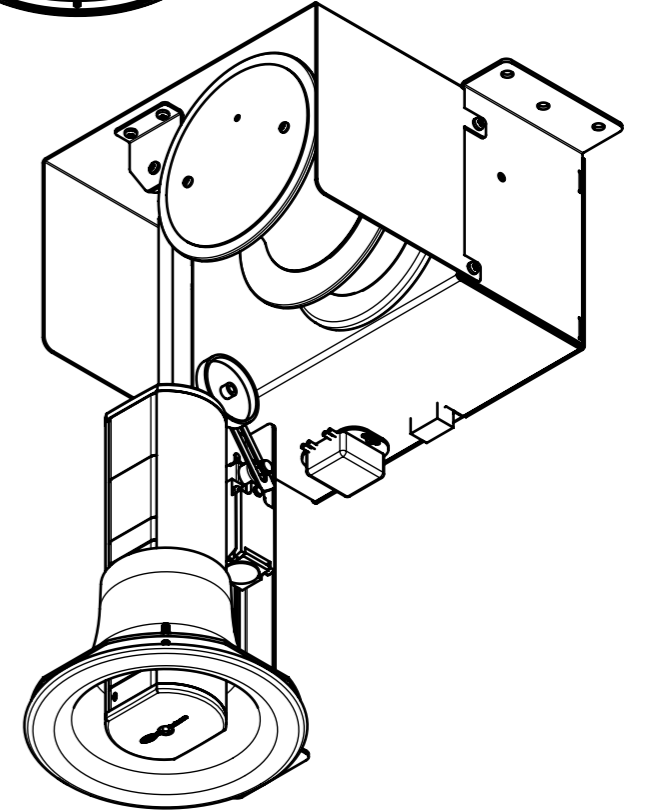
TOP VIEW



FRONT VIEW



SIDE VIEW



CUSTOMER SIGNATURE:	TOLERANCES UNLESS OTHERWISE STATED: X ±0.5 X.X ±0.2 X.XX ±0.1 X.XXX ±0.05 ANG ±0.5°
MATERIAL: MILD STEEL / PLASTIC	
FINISH: POWDER COATED	
COLOUR: MANNEX BLACK / WHITE	

TOLERANCES UNLESS OTHERWISE STATED:

X ±0.5
X.X ±0.2
X.XX ±0.1
X.XXX ±0.05
ANG ±0.5°

THIS DRAWING & ASSOCIATED CAD FILES ARE ISSUED IN THE STRICTEST CONFIDENCE AND ARE ONLY TO BE USED IN THE COMMERCIAL INTERESTS OF CMS ELECTRACOM PTY LTD

DRAWN IN mm TO AS1100 DO NOT SCALE



TITLE:
ELEVATE CEILING TILE ADD-ON ASSEMBLY

DRAWING: LU28184	REV: 1	A3
----------------------------	------------------	-----------

SCALE 1:5

SHEET 1 OF 3

1	RELEASED FOR EVALUATION	15/02/2018	JC	AP
REV	DESCRIPTION	DATE	DRWN	APPV
REVISIONS				