

100W USB CHARGER

Installation Instructions

- THE POWER SUPPLY IS ONLY SUITED FOR INFORMATION TECHNOLOGY & AUDIO/VIDEO EQUIPMENT
- THE POWER SUPPLY IS ONLY SUITED FOR FIXED INSTALLATIONS
- THE SOCKET OUTLET SHALL BE INSTALLED NEAR THE EQUIPMENT AND BE EASILY ACCESSIBLE

Package Contents:

The 100W USB Charger consists of a Power Supply Unit and a USB cable.

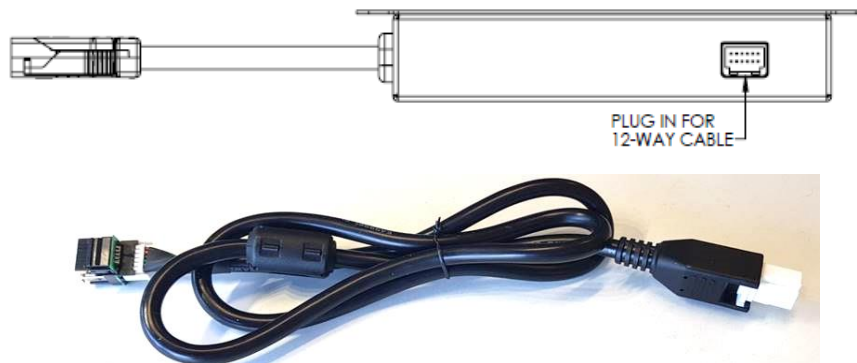


Figure 1

Installing the unit to the furniture:

Mount the 100W USB to the furniture using 4 screws (screws not provided). Choose the appropriate screw based on the furniture. Ensure that reset button face towards the user.

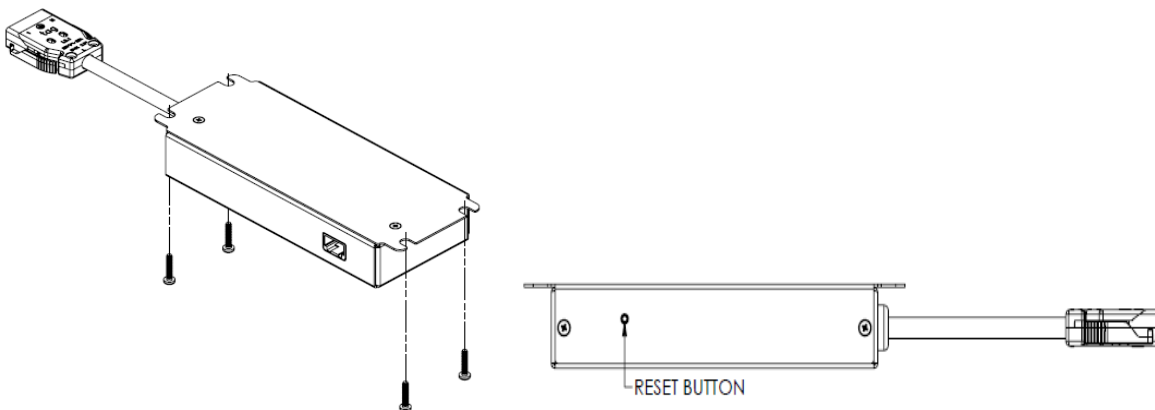


Figure 2

After mounting unit to the furniture, plug in the power connector end of the USB lead to the unit and connect the other end of the lead to the Power rail/In desk Unit.

Reset Procedure (When required):

To reset the USB Charger, briefly press and release the reset button on the power supply unit (refer figure 2) using a sim card remover tool .