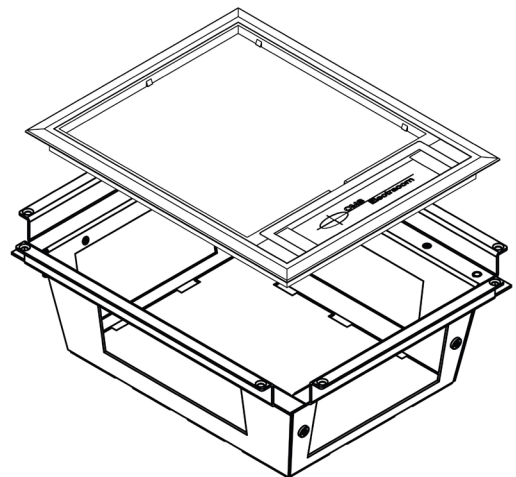


TITAN FTA3GY75

LID: ABS Plastic with recess provision for carpet tile

UNDERCARRIAGE: Access Floor Assembly - 95mm Depth



Lid Features

- Carpet frame with recessed lid manufactured from ABS plastic.
- 7mm lid recess for carpet or vinyl tile.
- Easy-grab handle and functional cable exit when lid closed.
- Lock option available for security applications.

Undercarriage Features

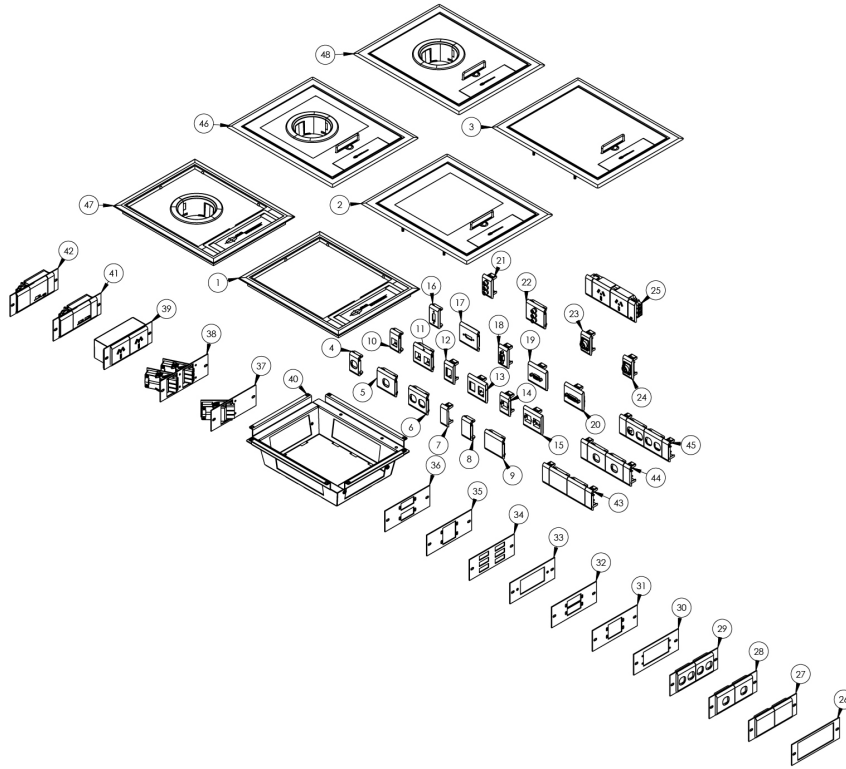
- Designed for AV Integration with Interchangeable mounting plates for Crestron, Extron, Kramer and AMX adapters.
- Wide range of modular soft/hardwired power, data and AV mounting plates.
- CAT6, 6A and 7 Compliant.
- Custom brackets & plates available.
- Designed and manufactured in Australia.

Technical Specification

Floor application	Access raised floor
Cut-out dimension	L265mm x W210mm x D75mm
Lid recess dimension	L200mm x W191mm x D7mm
Lid specification	ABS plastic with recess provision for carpet tile.
Undercarriage and screed box specification	Undercarriage manufactured from black powder-coated mild steel.
Weight rating	120kg

TITAN FTA3GY75

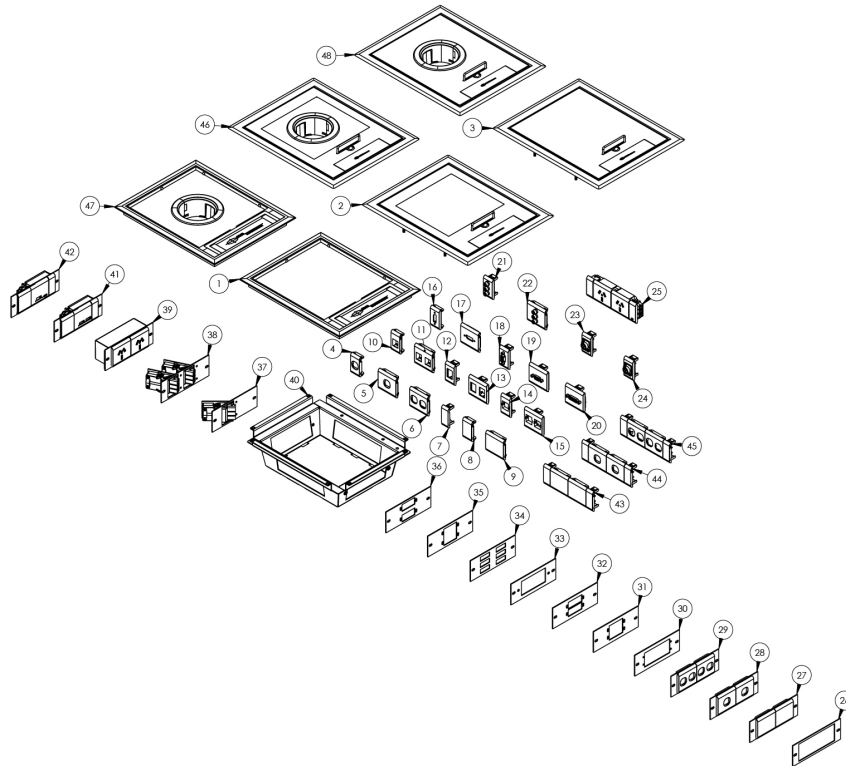
Component List



No.	Part No & Description	No.	Part No & Description
1	F3LID - APOLLO FLOORBOX PLASTIC LID	17	SW18CDP1 - 50mm TILE WITH PROVISION FOR DISPLAY PORT
2	FT3LIDSC - STAINLESS SOFT-CLOSE FB3 RECESSED LID	18	SW18BVV - 25mm TILE F/W VGA MINI GENDER BENDER
3	FTF3LIDSC - STAINLESS SOFT-CLOSE FB3 FLUSH LID	19	SW18CVV - 50mm TILE F/W VGA MINI GENDER BENDER
4	SW18B1 - 25mm SINGLE DATA TILE	20	SW18CDVI - 50mm DATA TILE - F/W DVI FEMALE CONNECTOR
5	SW18C1 - 50mm SINGLE DATA TILE	21	
6	SW18C2 - 50mm DUAL DATA TILE	22	
7	SW18A - 18mm blank tile	23	SW18BX3 - 25mm TILE F/W MINI XLR 3 PIN PLUG WITH SOLDER CUPS
8	SW18B - 25mm blank tile	24	SW18BX4 - 25mm TILE F/W MINI XLR 4 PIN PLUG WITH SOLDER CUPS
9	SW18C - 50mm BLANK TILE	25	FTA1802L3 - DUAL AUTO SWITCHED POWER MODULE WITH REWIREABLE CONNECTOR
10	SW18B1K - 25mm SINGLE TILE TO SUIT KEYSTONE DATA	26	FTLPBPP - TITAN 100MM BLANK PLATE
11	SW18C2K - 50mm DUAL DATA TILE TO SUIT KEYSTONE JACKS	27	FTLPBP - TITAN LOW PROFILE BLANK PLATE F/W 2 x 50mm BLANK DATA TILES
12	SW18B1SE - 25mm SINGLE TILE TO SUIT SIEMON DATA	28	FTDLP2 - TITAN LOW PROFILE DATA PLATE F/W 2 x 50mm SINGLE DATA PROVISION TILES
13	SW18C2SE - 50mm DUAL DATA TILE TO SUIT SIEMON JACKS	29	FTDLP4 - TITAN LOW PROFILE DATA PLATE F/W 2 x 50mm DOUBLE DATA PROVISION TILES
14	SW18B1SM - 25mm SINGLE TILE TO SUIT SYSTIMAX DATA	30	FTLPXEAAP - AAP EXTRON ADAPTER PLATE TO SUIT 1 x DOUBLE OR 2 x SINGLES
15	SW18C2SM - 50mm DUAL DATA TILE TO SUIT SYSTIMAX DATA	31	FTLPXMAAP2 - TITAN FLOOR BOX MAAP EXTRON PLATE SINGLE
16	SW18BDP1 - 25mm TILE WITH PROVISION FOR DISPLAY PORT	32	FTLPXMAAPD - TITAN FLOORBOX MAAP EXTRON ADAPTER DOUBLE

TITAN FTA3GY75

Component List



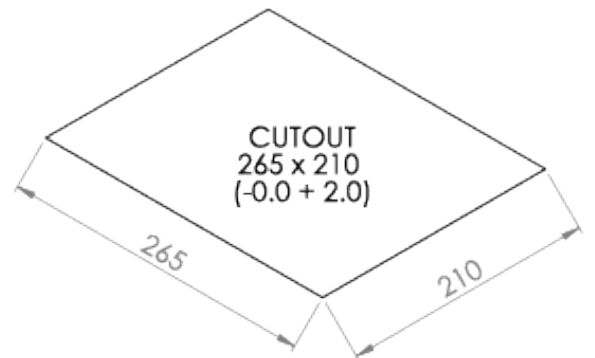
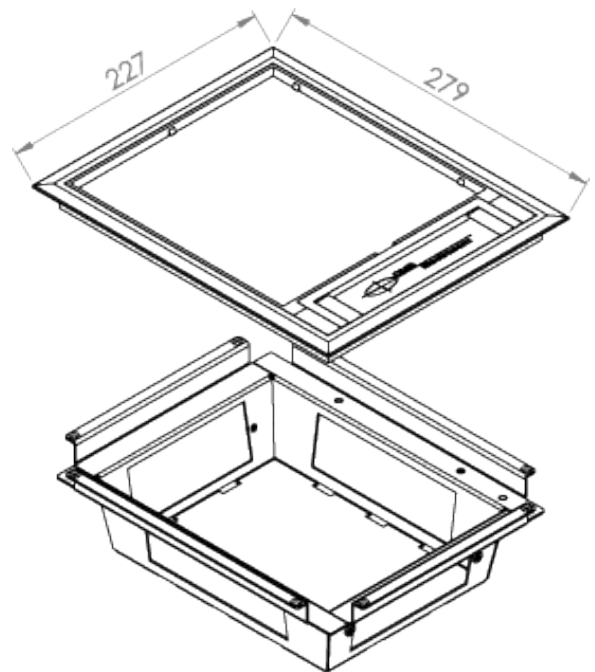
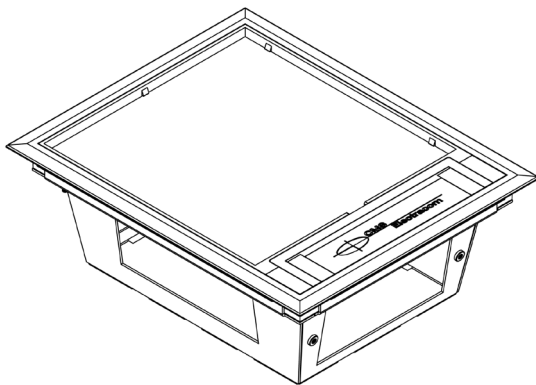
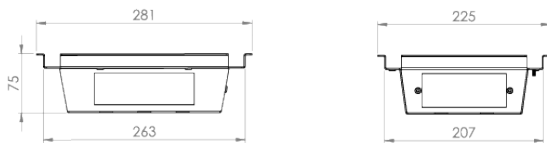
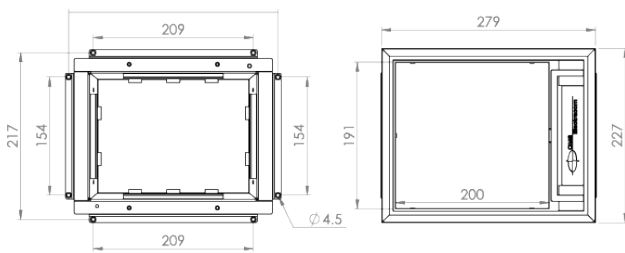
No.	Part No & Description	No.	Part No & Description
33	FTLPKRSV - KRAMER ADAPTER PLATE TO SUIT SV301 OR SV306	41	FTLPU2BK - TITAN LOW PROFILE POWER PLATE F/W DUAL USB CHARGER
34	FTLPSCD - SC DUPLEX PLATE ADAPTER PLATE TO SUIT 75mm DEEP BOX	42	FTLPUAC3BK - TITAN LOW PROFILE POWER PLATE F/W DUAL USB QUALCOMM TYPE A&C 30W Q/CHARGER
35	FTLPKRW2 - KRAMER ADAPTER PLATE TO SUIT "W" xx DOUBLE MODULES	43	FTD2BPBK - TITAN 3 COMPARTMENT BLANK TILE KIT
36	FTLPKRWD - KRAMER ADAPTER PLATE TO SUIT DOUBLE MODULES	44	FTD2C1BK - TITAN 3 COMPARTMENT 2 DATA TILE KIT
37	FTLPTAGBK - LOW PROFILE STARTER FULL PLATE C/W SINGLE REWIREABLE SOCKET	45	FTD2C2BK - TITAN 3 COMPARTMENT 4 DATA TILE KIT
38	FTLPTAG2 - LOW PROFILE STARTER FULL PLATE C/W DOUBLE REWIREABLE SOCKETS	46	FT3LIDSC-UMB - 3 COMPARTMENT STAINLESS SOFT CLOSE RECESSED LID WITH UMBILICAL GROMMET
39	FTLPPA2 - LOW PROFILE POWER PLATE F/W 2 x AUTO SWITCHED GPO WITH BACK BOX	47	FT3LIDGY-UMB - 3 COMPARTMENT PLASTIC LID WITH UMBILICAL GROMMET
40	FTA375-UC - FT3 LOW PROFILE UNDERCARRIAGE	48	FTF3LIDSC-UMB - 3 COMPARTMENT STAINLESS SOFT CLOSE FLUSH LID WITH UMBILICAL GROMMET

TITAN FTA3GY75

Technical Specification

CMS Titan FTA3 access floorbox lid and undercarriage assembly. Lid manufactured from ABS Plastic with recess provision for carpet tile. Undercarriage manufactured from black powder-coated mild steel. Load capacity: 120kg

ID No.	Part No. & Description
1	F3LID - APOLLO FLOORBOX PLASTIC LID
40	FTA375-UC - FT3 LOW PROFILE UNDERCARRIAGE

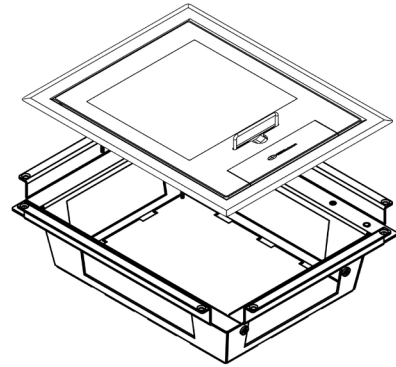


Disclaimer: CMS has made every attempt to ensure the accuracy and reliability of the information provided in this document are correct. All information contained in this document is to be used for general guidance only. CMS reserves the right to change, delete or modify the information without notice.

TITAN FTA3SC-75

LID: Stainless steel with recess provision for carpet tile

UNDERCARRIAGE: Access Floor Assembly - 75mm Depth



Lid Features

- Soft-closing lid with radius edges minimises risk of accidental impact and potential cable damage.
- 7mm lid recess for carpet tile insert.
- Easy-grab handle and functional cable exit when lid closed.
- Lock option available for security applications.

Undercarriage Features

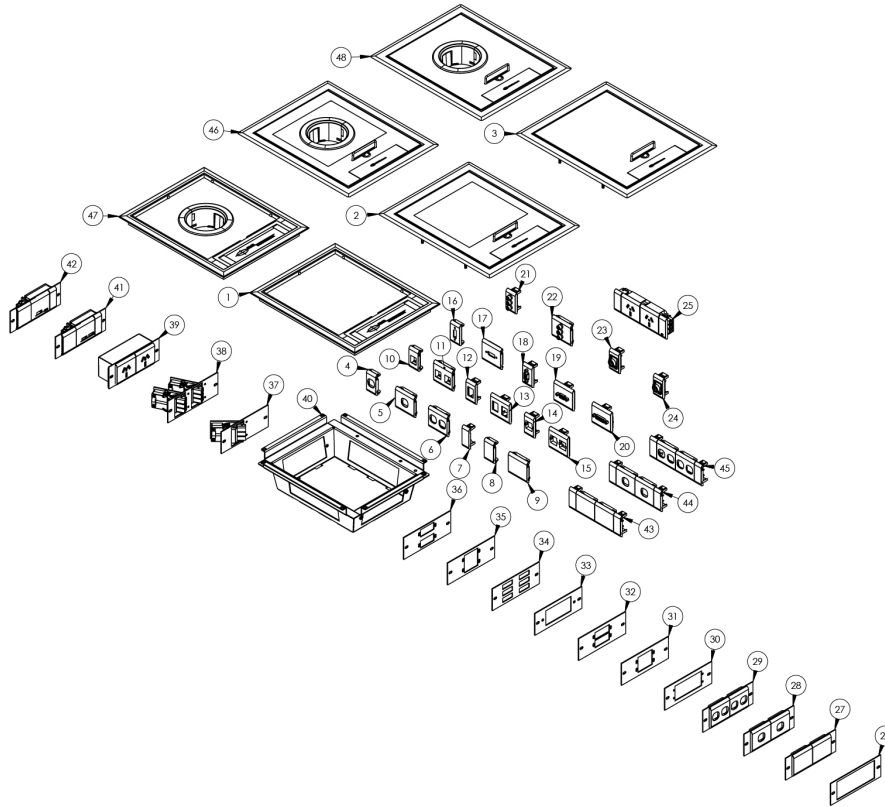
- Designed for AV Integration with Interchangeable mounting plates for Crestron, Extron, Kramer and AMX adapters.
- Wide range of modular soft/hardwired power, data and AV mounting plates.
- Durable galvanised screed box supplied with cover.
- CAT6, 6A and 7 Compliant.
- Custom brackets & plates available.
- Designed and manufactured in Australia.

Technical Specification

Floor application	Access raised floor
Cut-out dimension	L265mm x W210mm x D75mm
Lid recess dimension	L148mm x W155mm x D7mm
Lid specification	Stainless steel with recess provision for carpet tile insert.
Undercarriage and screed box specification	Undercarriage manufactured from black powder-coated mild steel.
Weight rating	150kg

TITAN FTA3SC-75

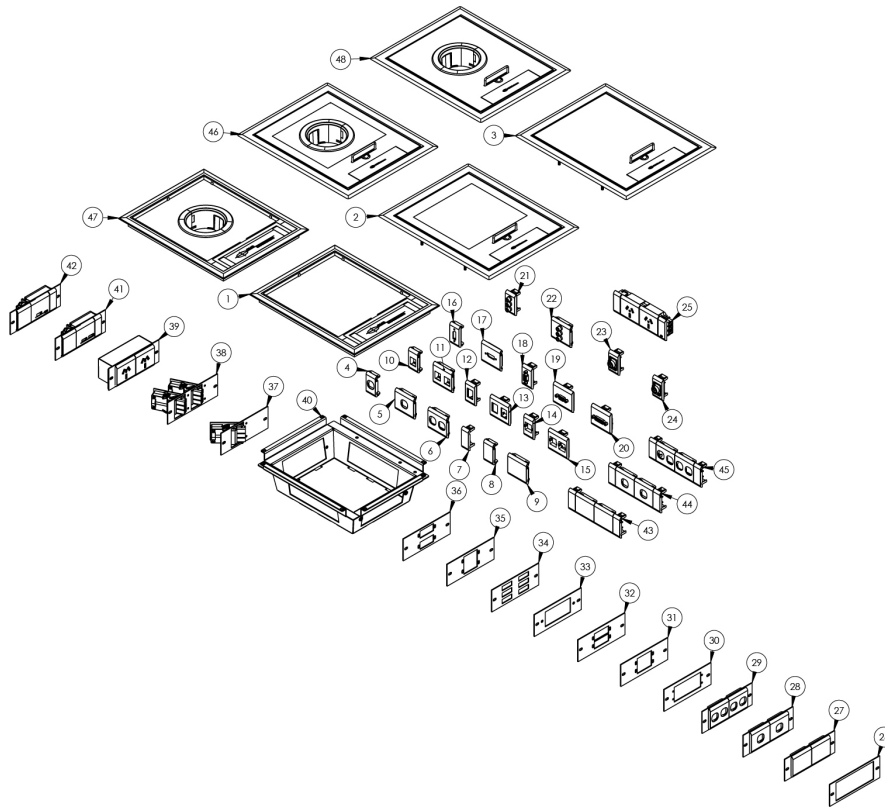
Component List



No.	Description & Part No	No.	Description & Part No
1	F3LID - APOLLO FLOORBOX PLASTIC LID	17	SW18CDP1 - 50mm TILE WITH PROVISION FOR DISPLAY PORT
2	FT3LIDSC - STAINLESS SOFT-CLOSE FB3 RECESSED LID	18	SW18BVV - 25mm TILE F/W VGA MINI GENDER BENDER
3	FTF3LIDSC - STAINLESS SOFT-CLOSE FB3 FLUSH LID	19	SW18CVV - 50mm TILE F/W VGA MINI GENDER BENDER
4	SW18B1 - 25mm SINGLE DATA TILE	20	SW18CDVI - 50mm DATA TILE - F/W DVI FEMALE CONNECTOR
5	SW18C1 - 50mm SINGLE DATA TILE	21	
6	SW18C2 - 50mm DUAL DATA TILE	22	
7	SW18A - 18mm blank tile	23	SW18BX3 - 25mm TILE F/W MINI XLR 3 PIN PLUG WITH SOLDER CUPS
8	SW18B - 25mm blank tile	24	SW18BX4 - 25mm TILE F/W MINI XLR 4 PIN PLUG WITH SOLDER CUPS
9	SW18C - 50mm BLANK TILE	25	FTA1802L3 - DUAL AUTO SWITCHED POWER MODULE WITH REWIREABLE CONNECTOR
10	SW18B1K - 25mm SINGLE TILE TO SUIT KEYSTONE DATA	26	FTLPBPP - TITAN 100MM BLANK PLATE
11	SW18C2K - 50mm DUAL DATA TILE TO SUIT KEYSTONE JACKS	27	FTLPBP - TITAN LOW PROFILE BLANK PLATE F/W 2 x 50mm BLANK DATA TILES
12	SW18B1SE - 25mm SINGLE TILE TO SUIT SIEMON DATA	28	FTDLP2 - TITAN LOW PROFILE DATA PLATE F/W 2 x 50mm SINGLE DATA PROVISION TILES
13	SW18C2SE - 50mm DUAL DATA TILE TO SUIT SIEMON JACKS	29	FTDLP4 - TITAN LOW PROFILE DATA PLATE F/W 2 x 50mm DOUBLE DATA PROVISION TILES
14	SW18B1SM - 25mm SINGLE TILE TO SUIT SYSTIMAX DATA	30	FTLPEXAAP - AAP EXTRON ADAPTER PLATE TO SUIT 1 x DOUBLE OR 2 x SINGLES
15	SW18C2SM - 50mm DUAL DATA TILE TO SUIT SYSTIMAX DATA	31	FTLPEXMAAP2 - TITAN FLOOR BOX MAAP EXTRON PLATE SINGLE
16	SW18BDP1 - 25mm TILE WITH PROVISION FOR DISPLAY PORT	32	FTLPEXMAAPD - TITAN FLOORBOX MAAP EXTRON ADAPTER DOUBLE

TITAN FTA3SC-75

Component List



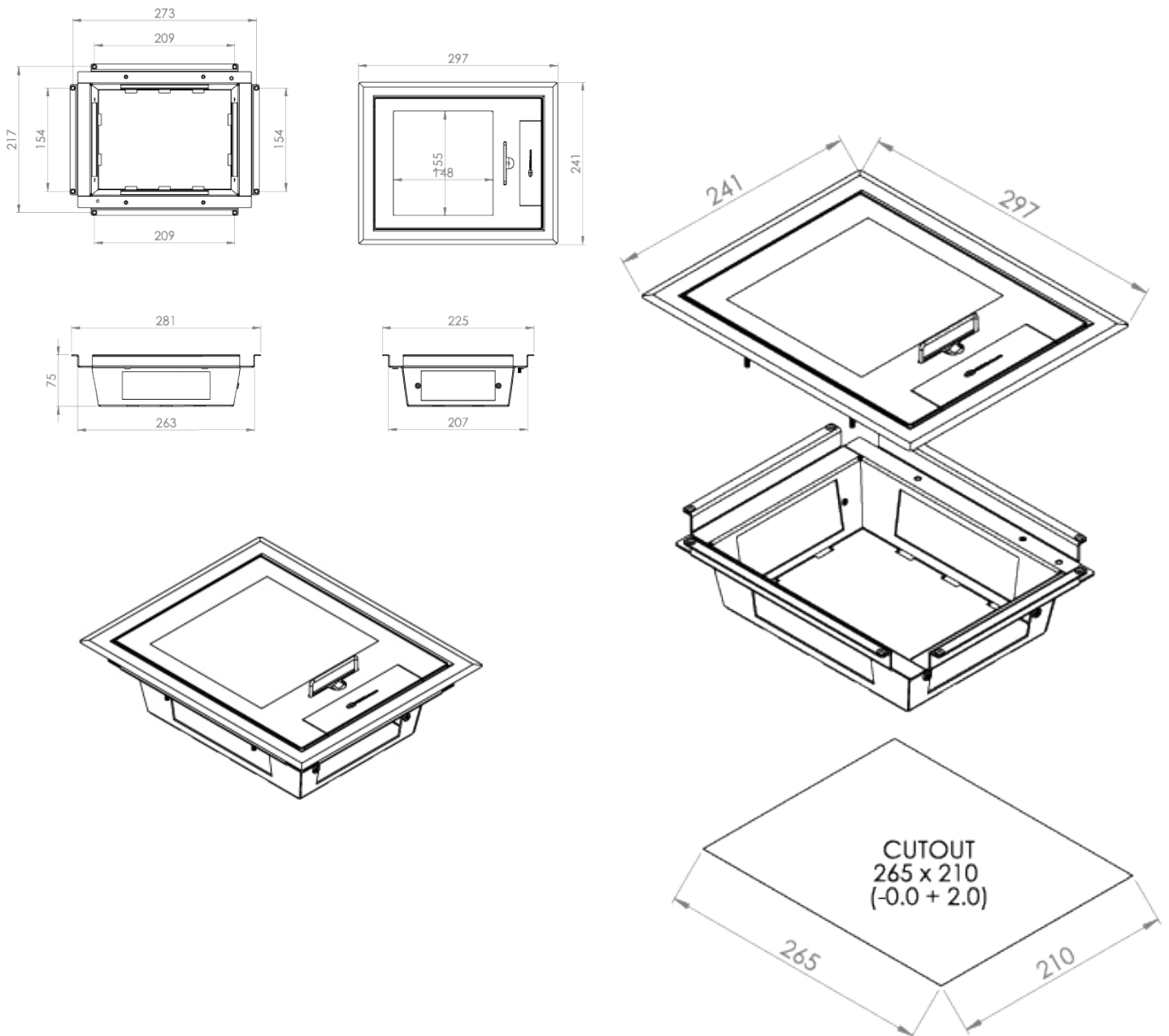
No.	Description & Part No	No.	Description & Part No
33	FTLPKRSV - KRAMER ADAPTER PLATE TO SUIT SV301 OR SV306	41	FTLPUAC3BK - TITAN LOW PROFILE POWER PLATE F/W DUAL USB QUALCOMM TYPE A&C 30W Q/CHARGER
34	FTLPSCD - SC DUPLEX PLATE ADAPTER PLATE TO SUIT 75mm DEEP BOX	42	FTD2BPK - TITAN 3 COMPARTMENT BLANK TILE KIT
35	FTLPKRW2 - KRAMER ADAPTER PLATE TO SUIT "W" xx DOUBLE MODULES	43	FTD2C1BK - TITAN 3 COMPARTMENT 2 DATA TILE KIT
36	FTLPKRWD - KRAMER ADAPTER PLATE TO SUIT DOUBLE MODULES	44	FTD2C2BK - TITAN 3 COMPARTMENT 4 DATA TILE KIT
37	FTLPTAGBK - LOW PROFILE STARTER FULL PLATE C/W SINGLE REWIREABLE SOCKET	45	FT3LIDSC-UMB - 3 COMPARTMENT STAINLESS SOFT CLOSE RECESSED LID WITH UMBILICAL GROMMET
38	FTLPTAG2 - LOW PROFILE STARTER FULL PLATE C/W DOUBLE REWIREABLE SOCKETS	46	FT3LIDGY-UMB - 3 COMPARTMENT PLASTIC LID WITH UMBILICAL GROMMET
39	FTLPPA2 - LOW PROFILE POWER PLATE F/W 2 x AUTO SWITCHED GPO WITH BACK BOX	48	FTF3LIDSC-UMB - 3 COMPARTMENT STAINLESS SOFT CLOSE FLUSH LID WITH UMBILICAL GROMMET
40	FTA375-UC - FT3 LOW PROFILE UNDERCARRIAGE	48	3 COMPARTMENT STAINLESS SOFT CLOSE FLUSH LID WITH UMBILICAL GROMMET
41	FTLPU2BK - TITAN LOW PROFILE POWER PLATE F/W DUAL USB CHARGER		

TITAN FTA3SC-75

Technical Specification

CMS Titan FTA3SC-75 low profile access floorbox lid and undercarriage. Lid manufactured from stainless steel with 7mm recess provision for carpet tile insert. Undercarriage manufactured from black powder-coated mild steel. Load capacity: 150kg

ID No.	Part No. & Description
2	FT3LIDSC - STAINLESS SOFT-CLOSE FB3 RECESSED LID
40	FTA375-UC - FT3 LOW PROFILE UNDERCARRIAGE

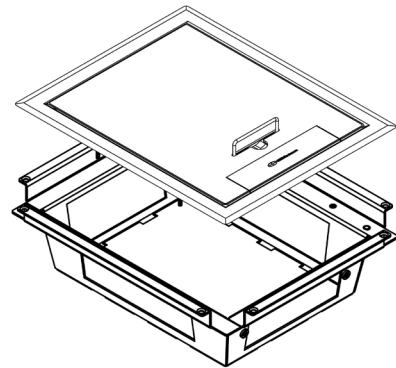


Disclaimer: CMS has made every attempt to ensure the accuracy and reliability of the information provided in this document are correct. All information contained in this document is to be used for general guidance only. CMS reserves the right to change, delete or modify the information without notice.

TITAN FTFA3SC-75

LID: Stainless steel with flush lid

UNDERCARRIAGE: Low Profile Access Floor Assembly - 75mm Depth



Lid Features

- Soft-closing lid with radius edges minimises risk of accidental impact and potential cable damage.
- Easy-grab handle and functional cable exit when lid closed.
- Lock option available for security applications.

Undercarriage Features

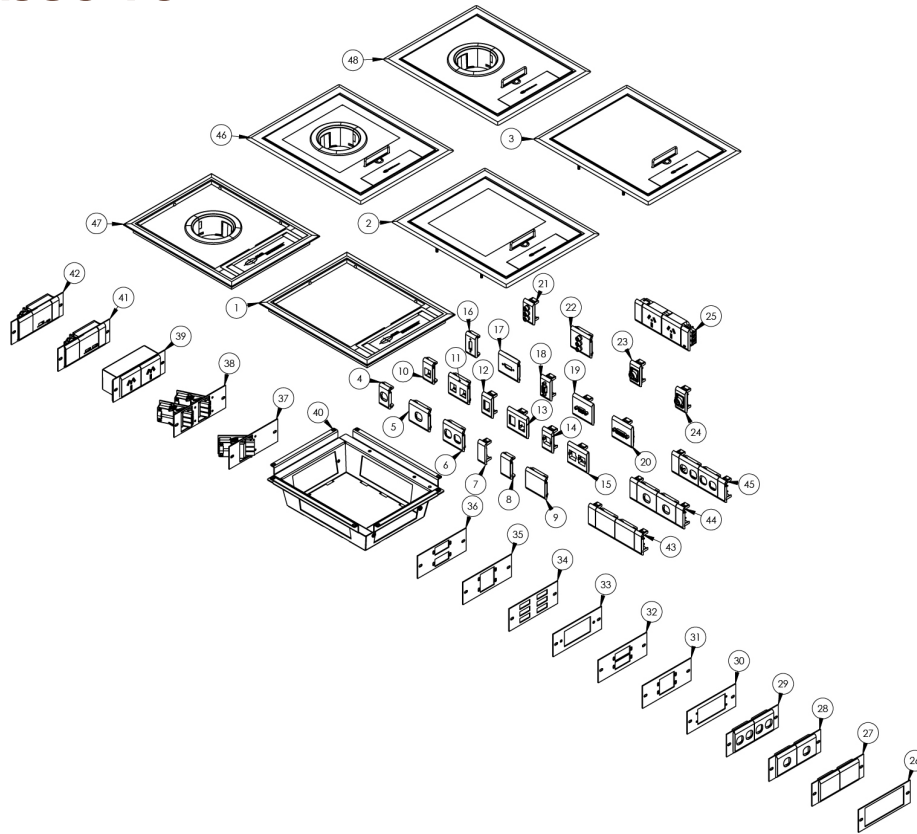
- Designed for AV Integration with Interchangeable mounting plates for Crestron, Extron, Kramer and AMX adapters.
- Wide range of modular soft/hardwired power, data and AV mounting plates.
- CAT6, 6A and 7 Compliant.
- Custom brackets & plates available.
- Designed and manufactured in Australia.

Technical Specification

Floor application	Access raised floor
Cut-out dimension	L265mm x W210mm x D75mm
Lid dimension plus beveled edge	L297mm x W241mm
Lid specification	Stainless steel with flush lid
Undercarriage and screed box specification	Undercarriage manufactured from black powder-coated mild steel
Weight rating	150kg

TITAN FTFA3SC-75

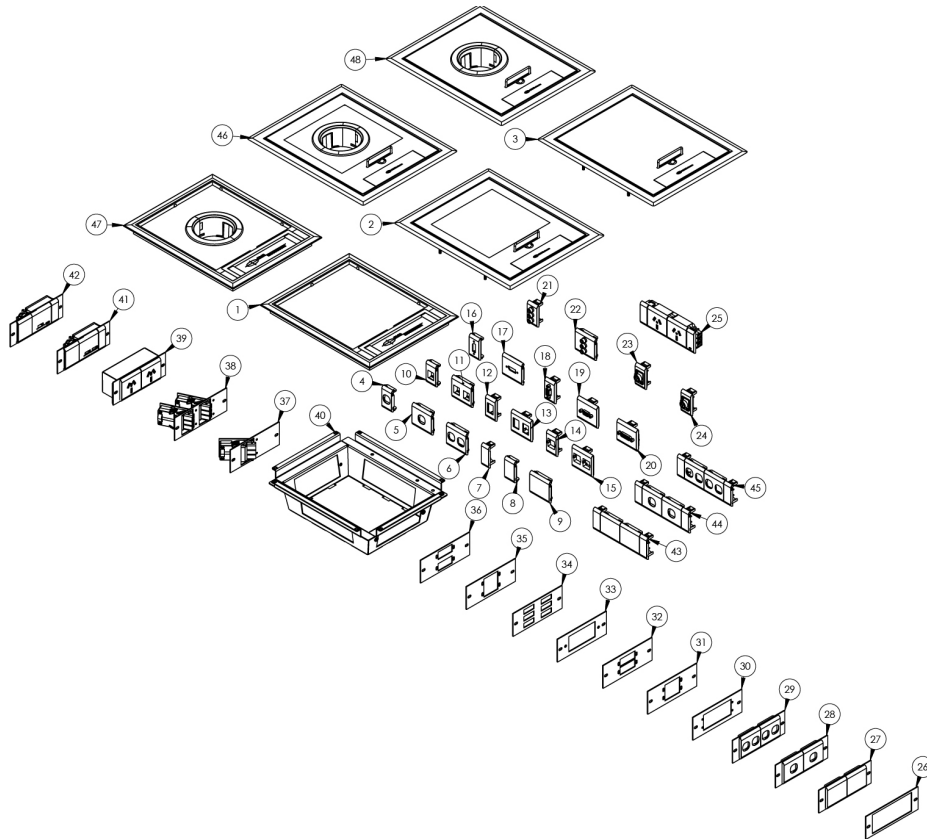
Component List



No.	Part No & Description	No.	Part No & Description
1	F3LID - APOLLO FLOORBOX PLASTIC LID	17	SW18CDP1 - 50mm TILE WITH PROVISION FOR DISPLAY PORT
2	FT3LIDSC - STAINLESS SOFT-CLOSE FB3 RECESSED LID	18	SW18BVV - 25mm TILE F/W VGA MINI GENDER BENDER
3	FTF3LIDSC - STAINLESS SOFT-CLOSE FB3 FLUSH LID	19	SW18CVV - 50mm TILE F/W VGA MINI GENDER BENDER
4	SW18B1 - 25mm SINGLE DATA TILE	20	SW18CDVI - 50mm DATA TILE - F/W DVI FEMALE CONNECTOR
5	SW18C1 - 50mm SINGLE DATA TILE	21	
6	SW18C2 - 50mm DUAL DATA TILE	22	
7	SW18A - 18mm blank tile	23	SW18BX3 - 25mm TILE F/W MINI XLR 3 PIN PLUG WITH SOLDER CUPS
8	SW18B - 25mm blank tile	24	SW18BX4 - 25mm TILE F/W MINI XLR 4 PIN PLUG WITH SOLDER CUPS
9	SW18C - 50mm BLANK TILE	25	FTA1802L3 - DUAL AUTO SWITCHED POWER MODULE WITH REWIREABLE CONNECTOR
10	SW18B1K - 25mm SINGLE TILE TO SUIT KEYSTONE DATA	26	FTLPBPP - TITAN 100MM BLANK PLATE
11	SW18C2K - 50mm DUAL DATA TILE TO SUIT KEYSTONE JACKS	27	FTLPBP - TITAN LOW PROFILE BLANK PLATE F/W 2 x 50mm BLANK DATA TILES
12	SW18B1SE - 25mm SINGLE TILE TO SUIT SIEMON DATA	28	FTDLP2 - TITAN LOW PROFILE DATA PLATE F/W 2 x 50mm SINGLE DATA PROVISION TILES
13	SW18C2SE - 50mm DUAL DATA TILE TO SUIT SIEMON JACKS	29	FTDLP4 - TITAN LOW PROFILE DATA PLATE F/W 2 x 50mm DOUBLE DATA PROVISION TILES
14	SW18B1SM - 25mm SINGLE TILE TO SUIT SYSTIMAX DATA	30	FTLPXAAP - AAP EXTRON ADAPTER PLATE TO SUIT 1 x DOUBLE OR 2 x SINGLES
15	SW18C2SM - 50mm DUAL DATA TILE TO SUIT SYSTIMAX DATA	31	FTLPXMAAP2 - TITAN FLOOR BOX MAAP EXTRON PLATE SINGLE
16	SW18BDP1 - 25mm TILE WITH PROVISION FOR DISPLAY PORT	32	FTLPXMAAPD - TITAN FLOORBOX MAAP EXTRON ADAPTER DOUBLE

TITAN FTFA3SC-75

Component List



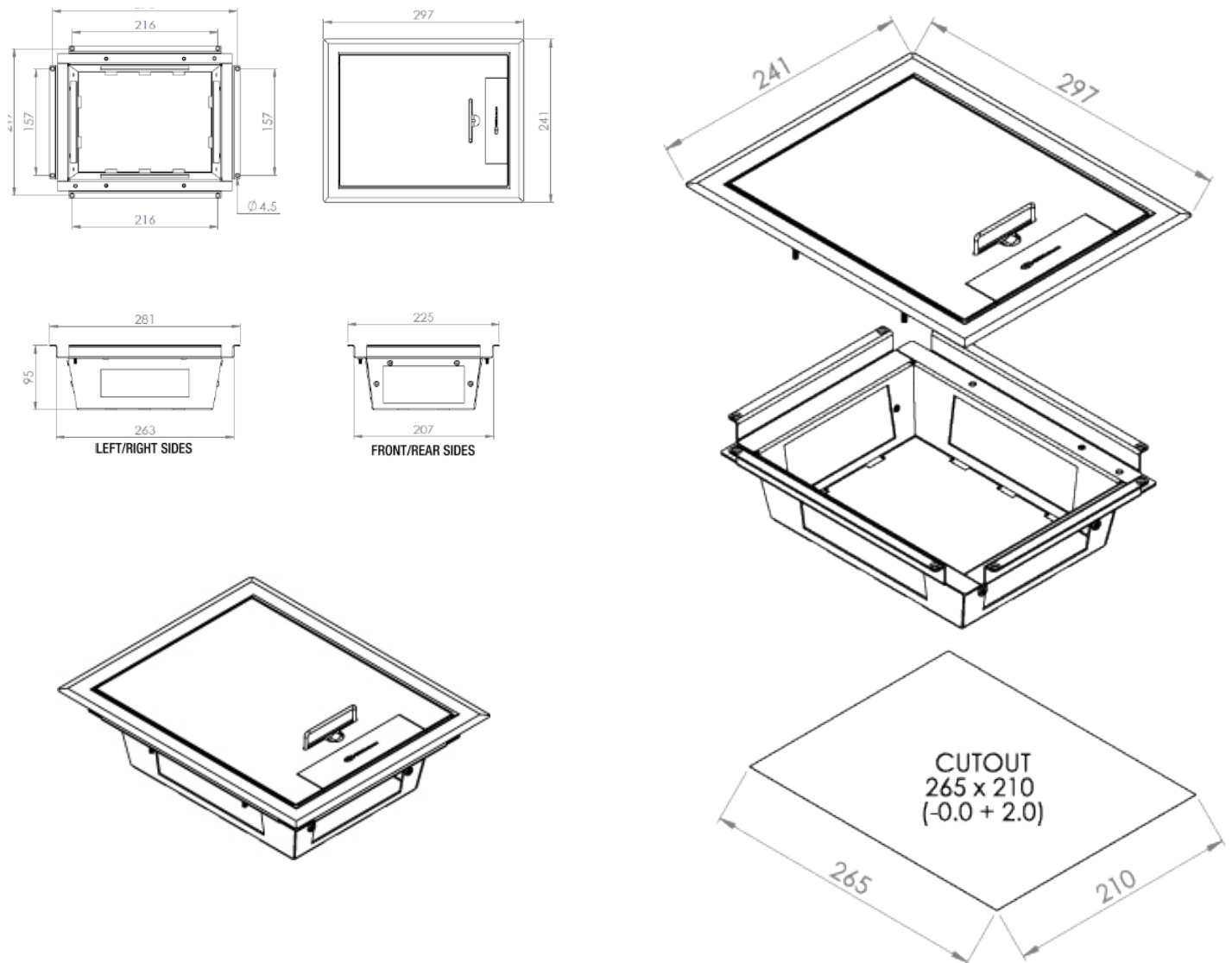
No.	Part No & Description	No.	Part No & Description
33	FTLPKRSV - KRAMER ADAPTER PLATE TO SUIT SV301 OR SV306	41	FTLPU2BK - TITAN LOW PROFILE POWER PLATE F/W DUAL USB CHARGER
34	FTLPSCD - SC DUPLEX PLATE ADAPTER PLATE TO SUIT 75mm DEEP BOX	42	FTLPUAC3BK - TITAN LOW PROFILE POWER PLATE F/W DUAL USB QUALCOMM TYPE A&C 30W Q/CHARGER
35	FTLPKRW2 - KRAMER ADAPTER PLATE TO SUIT "W" xx DOUBLE MODULES	43	FTD2BPBK - TITAN 3 COMPARTMENT BLANK TILE KIT
36	FTLPKRWD - KRAMER ADAPTER PLATE TO SUIT DOUBLE MODULES	44	FTD2C1BK - TITAN 3 COMPARTMENT 2 DATA TILE KIT
37	FTLPTAGBK - LOW PROFILE STARTER FULL PLATE C/W SINGLE REWIREABLE SOCKET	45	FTD2C2BK - TITAN 3 COMPARTMENT 4 DATA TILE KIT
38	FTLPTAG2 - LOW PROFILE STARTER FULL PLATE C/W DOUBLE REWIREABLE SOCKETS	46	FT3LIDSC-UMB - 3 COMPARTMENT STAINLESS SOFT CLOSE RECESSED LID WITH UMBILICAL GROMMET
39	FTLPPA2 - LOW PROFILE POWER PLATE F/W 2 x AUTO SWITCHED GPO WITH BACK BOX	47	FT3LIDGY-UMB - 3 COMPARTMENT PLASTIC LID WITH UMBILICAL GROMMET
40	FTA375-UC - FT3 LOW PROFILE UNDERCARRIAGE	48	FTF3LIDSC-UMB - 3 COMPARTMENT STAINLESS SOFT CLOSE FLUSH LID WITH UMBILICAL GROMMET

TITAN FTFA3SC-75

Technical Specification

CMS Titan FTFA3SC-75 low profile access floorbox lid and undercarriage assembly. Lid manufactured with soft-closing lid with radius edges minimises risk of accidental impact and potential cable damage. Undercarriage manufactured from black powder-coated mild steel. Load capacity: 150kg

ID No.	Part No. & Description
3	FTF3LIDSC - STAINLESS SOFT-CLOSE FB3 FLUSH LID
40	FTA375-UC - FT3 LOW PROFILE UNDERCARRIAGE



Disclaimer: CMS has made every attempt to ensure the accuracy and reliability of the information provided in this document are correct. All information contained in this document is to be used for general guidance only. CMS reserves the right to change, delete or modify the information without notice.